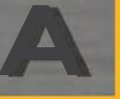




Steel Boxes, Covers and Accessories



STANDARDS, 2020 NATIONAL ELECTRICAL CODE®

Applications: Steel Boxes

RACO® high-quality steel boxes:

- Are used in branch circuit wiring
- Accommodate wiring devices, such as switches and receptacles
- Most may also serve as fixture supports
- Provide excellent protection for wiring system or devices
- Must be closed with a cover, light fixture canopy or wallplate
- Permit access to conductors for maintenance
- Allow for branch circuit runs
- Provide two-hour fire rating for 4x4 or smaller wall opening

Product Features: Outlet Boxes for Fixture or Fan Support

These high-quality boxes:

- Are listed to support lighting fixture canopies or fans
- Feature oversized #10 screws to provide strength and rigidity

Product Features: TKO® Knockouts

- TKO® knockouts offer greater flexibility with RACO® combination 1/2" and 3/4" knockouts
- Stock just one product instead of two or three
- One product for the installer to carry

TKO Provides Reliable Grounding Path

- Independent tests conducted by UL prove that the TKO passes the same high-current fault test used to test grounding bushings and ground lugs
- RACO® TKO knockout is UL Listed, providing bonding without the use of bonding jumpers
- Suitable for bonding without any additional bonding means around concentric (or eccentric, TKO) knockouts where used in circuits above or below 250V
- This knockout does not impair the electrical connection to ground

Most RACO® Boxes Have At Least One Tapped #10-32 Grounding Hole

- The products that do not have a grounding screw hole are: plenum boxes catalog numbers 226 and 239

Product Features: Combination Screw Heads

- Cover and clamp screws have combination slotted/Phillips heads
- Self-tapping screws provide for 100% thread engagement

Metallic Boxes: Fire Resistance Rating Wall Penetrations*

Listed single and double gang metallic outlet and switch boxes with metallic or nonmetallic cover plates, also metallic 4x4 and octagon boxes may be used in bearing and non-bearing wood stud and steel stud walls, and floor-ceiling and roof-ceiling assemblies with ratings not exceeding two hours.

The surface area of individual metallic outlet or switch boxes shall not exceed 16 square inches through a fire rated wall. The aggregate surface area of the boxes shall not exceed 100 square inches per 100 square feet. Boxes located on opposite sides of walls or partitions shall be separated by a horizontal distance of 24 inches.

The metallic outlet or switch boxes shall be securely fastened to the studs, and the opening in the wallboard facing shall be cut so that the clearance between the box and the wallboard does not exceed 1/8 inch.

* Reference: Fire Resistance Ratings ANSI/UL 263, Sec. III-6.

Standard Materials: Steel Covers, Outlet and Standard Switch Boxes

- Steel boxes and covers are made of .0625 inch thick pre-galvanized sheet steel
- Handy Box covers are made of .030 inch thick galvanized sheet steel

Compliances

RACO® steel boxes and covers generally carry the following compliance ratings. Check specific catalog pages for individual compliances.

- UL Listed – Standard 514-A, file E195978 (“QCIT” Category)
- Boxes and covers are listed for their Electrical Applications (electrical codes), UL Electrical Construction Equipment Online Directory (electrical codes).
- Boxes are listed for Fire Resistance Directory, including the Two-Hour Fire Rating, (building codes) UL Orange Book
- UL Classified Standard – UL263 file R16536, CEYY, QBWY
- CSA Certified – C22.2 #18, CSA File LR-1082
- ANSI/NEMA OS1
- Federal Manufacturer’s number 28488



For installation guidelines and to learn more about RACO® products, visit the NEMA website at <http://www.nema.org>.

The National Electrical Manufacturers Association (NEMA) website is a valuable electrical resource providing the information you need - quickly.

Wiring Capacity: Steel Outlet and Switch Boxes; Cubic Inches

Maximum Number of Conductors or Minimum Size Box Required – National Electrical Code Article 314.16 (A and B) also table 314.16(A)

The purpose of NEC® Article 314.16 is to determine the maximum conductor count or the minimum box size required for an application. It also may be used to determine how many other conductors may be added without exceeding the Code-prescribed limit.

STANDARDS, 2020 NATIONAL ELECTRICAL CODE®

Most applications have determined the number of conductors. The question that then remains is the smallest (minimum) size box that is permitted. The rules of Article 314.16 are to be used to determine the Code-recognized limit.

Selection of an outlet or junction box for use in an electrical circuit work must take into consideration the maximum number of wires permitted in the box. Safe electrical practice demands that wires not be jammed into boxes because of the possibility of nicks, abrasions or other damage to the insulating material, creating the potential for ground faults or short circuits.

Article 314 – Boxes and Fittings

NEC® 314.16 (A and B) also table 314.16(A). Number of Conductors in Outlet, Device, and Junction Boxes, and Conduit Bodies.

Boxes shall be of sufficient size to provide free space for all enclosed conductors. In no case shall the volume of the box, as calculated in (a) below, be less than the fill calculation as calculated in (b) below. The minimum volume for conduit bodies shall be as calculated in (c) below.

The provisions of this section shall not apply to terminal housings supplied with motors. See Section 430.12.

Boxes and conduit bodies enclosing conductors, size #4 or larger, shall also comply with the provisions of Section 314-28.

(a) Box Volume Calculations. The volume of a wiring enclosure (box) shall be the total volume of the assembled sections, and, where used, the space provided by plaster rings, domed covers, extension rings, etc., that are marked

with their volume in cubic inches or are made from boxes the dimensions of which are listed in Table 314.16(A).

(1) Standard Boxes. The volume of standard boxes that are not marked with a cubic inch capacity shall be as given in *Table 314.16(A).

(2) Other Boxes. Boxes 100 cubic inches (1,640 cu. cm3.) or less, other than those described in table, and nonmetallic boxes shall be durably and legibly marked by the manufacturer with their cubic inch capacity. Boxes described in table that have a larger cubic inch capacity than is designated in the table shall be permitted to have their cubic inch capacity marked as required by this section.

(b) Box Fill Calculations. The volumes in paragraphs (1) through (5) below, as applicable, shall be added together. No allowance shall be required for small fittings such as locknuts and bushings.

(1) Conductor Fill. Each conductor that originates outside the box and terminates or is spliced within the box shall be counted once, and each conductor that passes through the box without splice or termination shall be counted once. The conductor fill, in cubic inches, shall be computed using Table 314.16(B)(1). A conductor, no part of which leaves the box, shall not be counted.

Exception: Where an equipment grounding conductor or not over four fixture wires smaller than #14, or both, enter a box, from a domed fixture or similar canopy and terminate within that box, it shall be permitted to omit these conductors from the calculations.

(2) Clamp Fill. Where one or more internal cable clamps, whether factory or field supplied, are present in the box, a single volume allowance in accordance with NEC® 314.16(B)(2) shall be made based on the largest conductor present in the box. No allowance shall be required for a cable connector with this clamping mechanism outside the box.

(3) Support Fittings Fill. Where one or more fixture studs or hickies are present in the box, a single volume allowance in accordance with NEC® 314.16(B)(3) shall be made for each type of fitting based on the largest conductor present in the box.

(4) Device or Equipment Fill. For each yoke or strap containing one or more devices or equipment, a double volume allowance in accordance with NEC® 314.16(B)(4) shall be made for each yoke or strap based on the largest conductor connected to a device(s) or equipment supported by that yoke or strap.

(5) Equipment Grounding Conductor Fill. Where one or more equipment grounding conductor(s) enter(s) a box, a single volume allowance in accordance with Table 314.16B shall be made based on the largest equipment grounding conductor present in the box. Where an additional set of equipment grounding conductors, as permitted by NEC® 314.16(B)(5) are present in the box, an additional volume allowance shall be made based on the largest equipment grounding conductor in the additional set.

STANDARDS, 2020 NATIONAL ELECTRICAL CODE®

MOST OFTEN REQUESTED SECTIONS OF THE NATIONAL ELECTRICAL CODE®	HOW RACO® PRODUCTS HELP COMPLETE THE INSTALLATION
250.97 Method of Bonding Service Equipment — Bonding Jumpers. Bonding jumpers are <u>not</u> required for concentric and eccentric knockouts <u>if</u> they are listed.	This Section is used to ensure that there is ground continuity when a concentric or eccentric knockout incorporated in a box. A bonding jumper is not required when using any of the RACO® patented TKO knockout boxes.
314.27 (A) Boxes at Lighting Fixture Outlets. Boxes to support light fixtures must be listed for fixture support.	Device boxes use #6-32 screws to secure devices such as snap-switches and receptacles. They are not suitable for support of other than very lightweight lighting fixtures, such as some wall-bracket types.
314.27 (B) Floor Boxes. Boxes listed specifically for this application shall be used for receptacles located in the floor. Exception: Boxes located in elevated floors of show windows and similar locations where the authority having jurisdiction judges them free from physical damage, moisture and dirt.	Only boxes that are UL Listed for the application may be fastened into the floor. RACO® floor boxes are in Section A of this catalog.
314.27 (C) Boxes at Fan Outlets. Boxes at Ceiling-Suspended (Paddle) Fan Outlets. Outlet boxes or outlet box systems used as the sole support of a ceiling suspended (paddle) fan shall be listed, shall be marked by their manufacturer as suitable for this purpose, and shall not support ceiling-suspended (paddle) fans that weigh more than 32kg (70lb).	For any ceiling outlet that is intended to have a ceiling (paddle) fan installed, a UL Listed outlet box rated for ceiling fan support must be installed. RACO® offers a complete line of products designed for various applications and mounting needs.
314.16 (A)(3) Space for Conductors. Canopies and outlet boxes taken together shall provide adequate space so that fixture conductors and their connecting devices can be properly installed.	When calculating the minimum cubic inch requirements for an outlet box, the canopy may be included in the calculation at the discretion of the Authority Having Jurisdiction. If the canopy of the fixture/fan is marked with the cubic inch capacity, then the additional volume must be accepted by the Authority Having Jurisdiction.
314.27 (B) Maximum Luminaire Weight. Fixtures greater than 50 pounds cannot be supported by a fixture box unless additional independent support is provided.	All outlet boxes that are intended to be used with fixtures are tested in accordance with UL Standard 514A.
250.146 (A) Surface-Mounted Box. Where the box is mounted on the surface, direct metal-to-metal contact between the device yoke and the box or a contact yoke or device that complies with 250.146(B) shall be permitted to ground the receptacle to the box.	This new method provides better bonding for the cover. RACO flat corner covers and mud rings comply.

STANDARDS, 2020 NATIONAL ELECTRICAL CODES®

MOST OFTEN REQUESTED ARTICLES OF THE 2020 NATIONAL ELECTRICAL CODE®	HOW RACO® PRODUCTS HELP COMPLETE THE INSTALLATION
800.133 Exception (A)(1)(d) Installation of Communications Wires, Cables and Equipment – Electric Light or Power Circuits. Communications conductors shall not be placed in any raceway, compartment, outlet box, junction box, or similar fitting with conductors or electric light or power circuits or Class 1 circuits.	When power and voice/data are brought to one enclosure, a means of dividing the wiring is required. Voltage barriers are available on the following box types: 4" and 4-11/16" square boxes, three- and four-gang switch boxes, masonry boxes, and gang boxes.
406.12, Tamper-resistant Receptacles. In all areas specified in 406.12(1) through 406.12(8), all 125 volt, 15 and 20 amp receptacles shall be listed tamper-resistant receptacles.	This is to prevent shocks of small children that like to insert keys, paper clips, etc. into the receptacle slots.
314.24 (B) Depth of Boxes. Minimum depth of boxes for outlets, devices, and utilization equipment.	Boxes must be a minimum depth depending on their use and/or are required to have a minimum clearance behind the device or equipment of per 314.24 (B).

CALCULATE THE MINIMUM SIZE BOX

NEC® 314.16 (A) and (B) describes the detailed way of counting wires, as well as clamps, fittings or devices (i.e., switches, receptacles, combination devices) – by establishing an equivalent conductor value for each. Those values are added together to get a total number of conductors. The minimum size box is the smallest one in Table 314.16(A) that can accommodate that number of conductors.

1. No matter how many ground wires come into a box, they only count as one conductor within the box.
2. Any wire 12 inches or less in length running unbroken through the box counts as one wire.
3. Each wire coming into a splice device (crimp or twist-on type) is counted as one wire.
4. Each wire coming into the box and connecting to a device counts as one wire of that size.

5. Fixture studs, cable clamps and hickey are to be counted as one for each type of fitting. If a box contains two cable clamps, the total is only to be increased by one.
6. Where devices are mounted in the box, the total conductor count must be increased by two for each mounting strap.

Example #1: – Conduit Boxes: Supply power to a switch that will control a remote light with #14 conductors. Metal conduit and fittings will be used as the wire way. You must provide space for four conductors and one switch, totaling 6. Read across the line “Allowances” in the **Box Fill** table to column 6, then read down to the minimum cubic inches required for #14 conductor. This example requires a minimum of 12.0 cubic inches.

Example #2: – Cable Boxes: This example will illustrate how the minimum size is determined for a box with cable clamps fed by two #12-2 nonmetallic sheathed cables and supplying a 15A duplex receptacle. After supplying the receptacle, the conductors are extended to other outlets.

- Circuit conductors.....4
- Ground conductors1
- Cable clamps1
- Device (receptacle).....2
- Total.....8**

Using the **Box Fill** table from the next page, read across the line “Allowances” to column 8, then down to the minimum cubic inches required for #12 conductor. This example requires a minimum of 18.0 cubic inches.

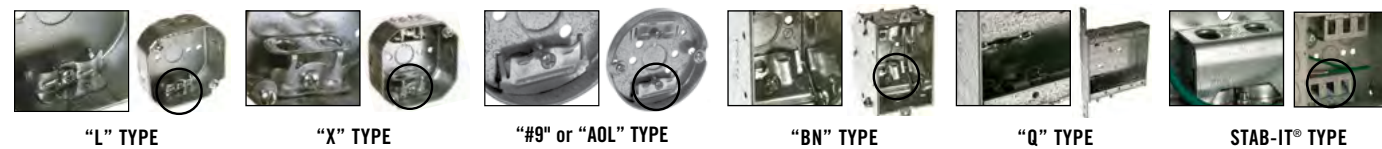
BOX FILL

Conductor Size (AWG)	Volume Per Conductor	ALLOWANCES									
		6	7	8	9	10	11	12	13	14	
#18	24.6	1.50	9.00	10.50	12.00	13.50	15.00	16.50	18.00	19.50	21.00
#16	28.7	1.75	10.50	12.25	14.00	15.75	17.50	19.25	21.00	22.75	24.50
#14	32.8	2.00	12.00	14.00	16.00	18.00	20.00	22.00	24.00	26.00	28.00
#12	36.9	2.25	13.50	15.75	18.00	20.25	22.50	24.75	27.00	29.25	31.50
#10	41.0	2.50	15.00	17.50	20.00	22.50	25.00	27.50	30.00	32.50	35.00
#8	49.2	3.00	18.00	21.00	24.00	27.00	30.00	33.00	36.00	39.00	42.00
#6	81.9	5.00	30.00	35.00	40.00	45.00	50.00	55.00	60.00	65.00	70.00

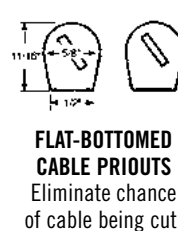
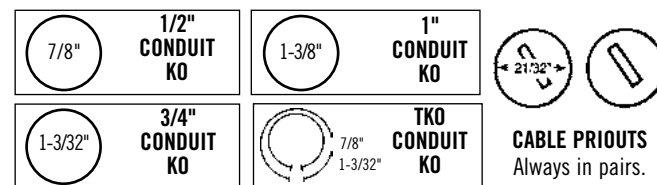
STEEL BOX SELECTION CHART

CUBIC INCHES:	42.0	30.3	29.5	21.5	21.0	18.0	16.5	15.5	14.0	13.0	12.5	3.8	6.0
CONDUIT STEEL BOXES													
MC/BX & NONMETALLIC CABLE STEEL BOXES													

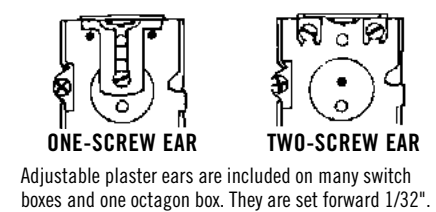
CLAMP TYPES



KNOCKOUTS AND PRIOUTS



PLASTER EARS



CLAMP TECHNICAL DATA

CLAMP TYPE	RACEWAY TYPE					
	ARMORED CABLE (BX)		METAL CLAD CABLE INTERLOCKING (MCI)		NONMETALLIC SHEATHED CABLE	FLEXIBLE METAL CONDUIT
	STEEL	ALUMINUM	STEEL	ALUMINUM		
“L” TYPE	—	—	—	—	#14-2 to #10-3 w/ground	—
“X” TYPE	#14-2 (.444 in outer diam.) to largest size to fit in clamp	#14-2 (.444 in outer diam.) to largest size to fit in clamp	.425 TO .600 outer diam.	.400 to .495 outer diam.	—	3/8" trade size
“#9” OR “AOL” TYPE	—	—	—	—	#14-2 w/ground	—
“Q” TYPE	—	—	—	—	#14-2 to #10-3 w/ground	—
“BN” TYPE	—	—	—	—	#14-2 w/ground or #12-2 w/ground	—
STAB-IT TYPE	.400 to .605 outer diam.	.400 to .605 outer diam.	.400 to .605 outer diam.	.400 to .605 outer diam.	—	3/8" trade size



BRACKET TECHNICAL DATA												
BRACKET TYPE	"A"	"B"	"D"	"FH"	"FM"	"FS"	"J"	"LB"	"MS"	"TS"	"W"	"H" or "M"
LENGTH (In.)	6-7/16"	1-61/64"	6-1/4"	6-61/64"	7-5/8"	6-61/64"	2-3/8"	1-31/32"	4-1/2"	7"	6-25/32"	3-1/8"
WIDTH	5/8"	2"	21/32"	1-9/16"	1-9/16"	1-9/16"	2-23/32"	3-3/64"	1-1/2"	1-1/16"	1-1/16"	7/8"
OFFSET				3/8"	3/8"	3/8"	1/4"			17/64"	1-5/16"	3/8"
FOR METAL	✓		✓		✓	✓			✓	✓	✓	✓
FOR WOOD	✓	✓	✓	✓	✓	✓	✓	✓		✓	✓	✓



"A" Bracket
Positions handy box against face and side of stud.



"FH" Bracket
Side-mount bracket with hooks that drive into face of stud.



"D" Bracket
Mounts on flat side of stud.



BOX-LOC® "MS" Bracket
Positions box on either side of stud. BOX-LOC® (MS) Bracket Box is a snap to install. Place the bracket on the open side of the stud first. Slots in the bracket engage the lip of the stud and actually crimp it as you press the bracket on the stud. Barbed hooks dig into the flat side of the stud, quickly locking it into place.



"J" Bracket
Spurs, slotted holes for toe-nailing. Gauging notches at 3/8" and 1/2".

"UBS" Support
Universal Back Side support to provide bracing on back of box for wall cavities 2-1/2" - 6" thick.



"W" Bracket
Positions box away from side of stud to clear the trim molding of a door frame.



"B" Bracket
Face mounts on front edge of wood stud. Use when space between studs is limited.



"FM" Bracket
Mounts on flat side of stud.



"LB" Bracket
Face mounts on front edge of wood stud. Use when space between studs is limited. 5/8" offset to clear narrow door molding.



"TS" Bracket
Side-mount bracket for octagon, square, switch and handy boxes. Gauging tabs and recessed nailing spurs.

"M" Bracket
Brackets on both/ opposite sides of box



"H" Bracket
Narrow bracket allows side-by-side mounting on stud. Positioning tabs locate box perfect distance from stud. V notch centers box. Dimples protect flush drywall installation.



"FS" Bracket
Mounts on flat side of stud. Gauging tabs and recessed nailing spurs.

4" SQUARE BOXES – DRAWN WITH CONDUIT KO'S



185



190, 8190



191, 8191



192, 8192



192SM



204

CAT. #	DESCRIPTION	CUBIC INCHES (CM ³)	KNOCKOUTS		STD. PKG.	BAR CODE
			SIDES CONDUIT	BOTTOM CONDUIT		
4" Square Box, 1-1/4" Deep – Drawn with Conduit KO's						
185	—	18.0 (295.0)	(10) 1/2"	(5) 1/2"	50	IIIIIIII
4" Square Box, 1-1/2" Deep – Drawn with Conduit KO's						
190	Raised Ground	21.0 (344.1)	(12) 1/2"	(4) 1/2"	50	—
8190	Raised Ground	21.0 (344.1)	(12) 1/2"	(4) 1/2"	50	IIIIIIII
191	Raised Ground	21.0 (344.1)	(8) 3/4"	(1) 1/2", (3) 3/4"	50	—
8191	Raised Ground	21.0 (344.1)	(8) 3/4"	(1) 1/2", (3) 3/4"	25	IIIIIIII
192	Raised Ground	21.0 (344.1)	(8) 1/2", (4) 3/4"	(2) 1/2", (2) 3/4"	50	—
8192	Raised Ground	21.0 (344.1)	(8) 1/2", (4) 3/4"	(2) 1/2", (2) 3/4"	50	IIIIIIII
192SM	Raised Ground, 10" #12 Stranded Copper Pigtail	21.0 (344.1)	(8) 1/2", (4) 3/4"	(2) 1/2", (2) 3/4"	50	IIIIIIII
4" Square Thru-the-Wall Box, 1-1/2" Deep – Drawn with Conduit KO's						
204	—	22.5 (368.7)	(8) 1/2", (4) 3/4"	—	50	—

APPLICATIONS

- RACO® Boxes are installed in walls or ceilings for lighting fixtures, switches or receptacles
- Square boxes are used where multiple conductor runs are split into two or more directions to bring power to a number of electrical devices
- Drawn boxes are ideal for exposed work applications

PRODUCT FEATURES

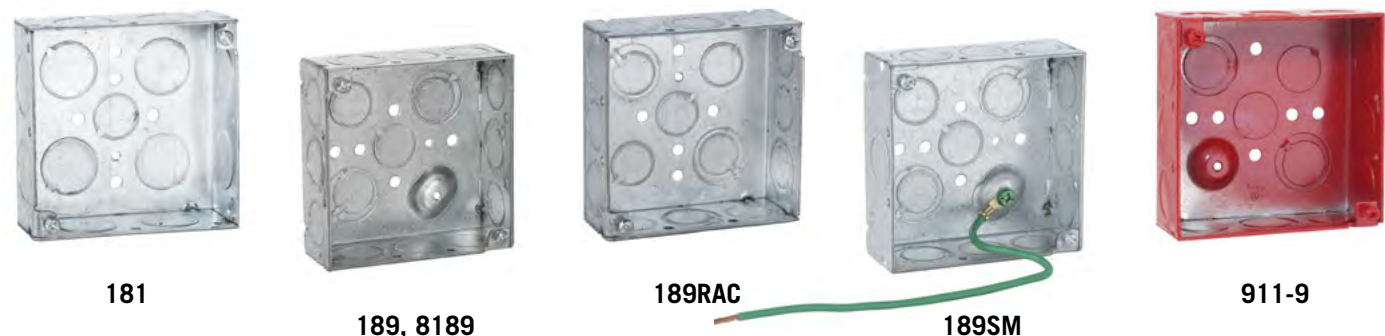
- Combination screw heads provide for faster installation
- Thru-the-wall box is designed for shallow wall applications and allows for attachment of wall plate to both faces of box

COMPLIANCE

- File E195978
- All RACO UL listed steel boxes are acceptable for use in 2 hr. fire rated floor-ceiling and roof-ceiling assemblies, as well as 2 hr. fire rated bearing and non-bearing wood stud and steel stud walls. For additional information consult Fire Resistance Ratings ANSI/UL 263, Sec. III-6.



4" SQUARE BOXES – WELDED WITH CONDUIT KO'S



APPLICATIONS

- RACO® Boxes are installed in walls or ceilings for lighting fixtures, switches or receptacles
- Square boxes are used where multiple conductor runs are split into two or more directions to bring power to a number of electrical devices

PRODUCT FEATURES

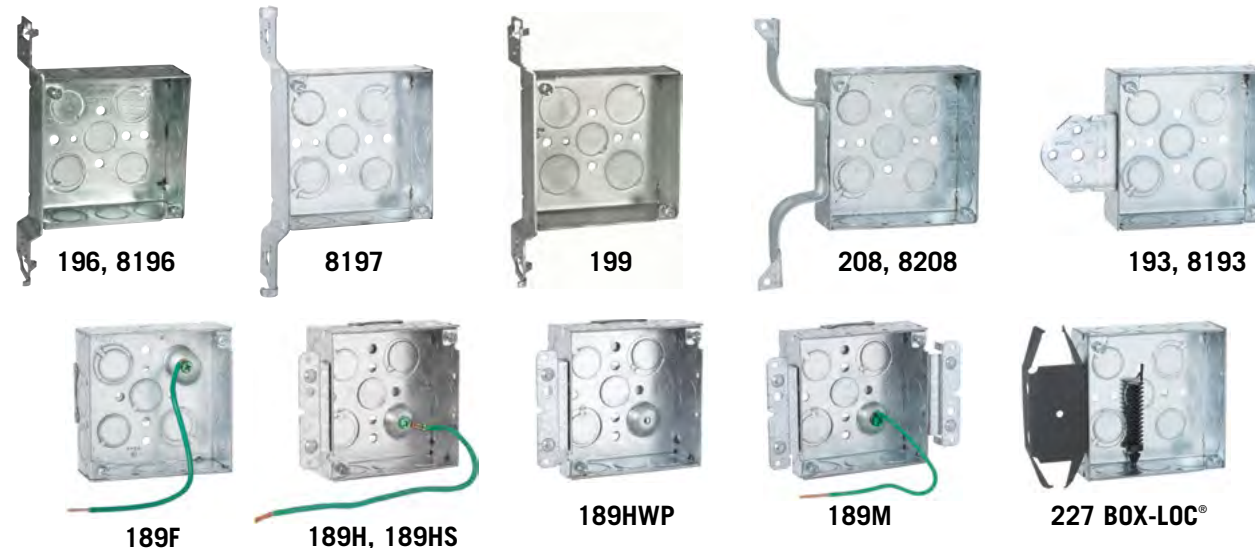
- Combination screw heads provide for faster installation
- TKO® Knockouts allow for design and installation flexibility.
- Red boxes, covers and extensions for dedicated life safety alarm circuits

COMPLIANCE

- File E195978
- All RACO UL listed steel boxes are acceptable for use in 2 hr. fire rated floor-ceiling and roof-ceiling assemblies, as well as 2 hr. fire rated bearing and non-bearing wood stud and steel stud walls. For additional information consult Fire Resistance Ratings ANSI/UL 263, Sec. III-6.
- **600V** Per U.L. 514-A, suitable for use without a bonding jumper in circuits up to 600 volts

CAT. #	DESCRIPTION	CUBIC INCHES (CM ³)	KNOCKOUTS		STD. PKG.	BAR CODE
			SIDES CONDUIT	BOTTOM CONDUIT		
4" Square Box, 1-1/2" Deep – Welded with Conduit KO's						
181	—	21.0 (344.1)	(8) 3/4"	(1) 1/2" (4) 3/4"	50	—
189	600V , Raised Ground	21.0 (344.1)	(8) 1/2" (4) TKO	(2) 1/2" (2) TKO	50	—
8189	600V , Raised Ground	21.0 (344.1)	(8) 1/2" (4) TKO	(2) 1/2" (2) TKO	50	
189RAC	600V	21.0 (344.1)	(8) 1/2" (4) TKO	(2) 1/2" (2) TKO	50	—
189SM	600V , Raised Ground, 10" #12 Stranded Copper Pigtail	21.0 (344.1)	(8) 1/2" (4) TKO	(2) 1/2" (2) TKO	50	
911-9	600V , Raised Ground, Painted Red	21.0 (344.1)	(8) 1/2" (4) TKO	(2) 1/2" (2) TKO	50	—

4" SQUARE BRACKETED BOXES – WELDED WITH CONDUIT KO'S



CAT. #	DESCRIPTION	CUBIC INCHES (CM ³)	KNOCKOUTS		STD. PKG.	BAR CODE
			SIDES CONDUIT	BOTTOM CONDUIT		
4" Square Bracketed Boxes, 1-1/2" Deep – Welded with Conduit KO's						
196	600V , FS, Flush	21.0 (344.1)	(6) 1/2" (3) TKO	(3) 1/2" (2) TKO	25	—
8196	600V , FS, Flush	21.0 (344.1)	(6) 1/2" (3) TKO	(3) 1/2" (2) TKO	25	
8197	600V , FH, Flush	21.0 (344.1)	(6) 1/2" (3) TKO	(3) 1/2" (2) TKO	25	
199	600V , FS, Flush	21.0 (344.1)	(6) 3/4"	(1) 1/2" (4) 3/4"	25	—
208	W, Flush	21.0 (344.1)	(6) 1/2" (3) TKO	(3) 1/2" (2) TKO	25	—
8208	600V , W, Flush	21.0 (344.1)	(6) 1/2" (3) TKO	(3) 1/2" (2) TKO	25	
193	600V , B, Flush	21.0 (344.1)	(6) 1/2" (3) TKO	(3) 1/2" (2) TKO	25	—
8193	600V , B, Flush	21.0 (344.1)	(6) 1/2" (3) TKO	(3) 1/2" (2) TKO	10	
189F	600V , Raised Ground, 8" #12 Solid Copper Pigtail, UBS Farside Support	21.0 (344.1)	(8) 1/2" (4) TKO	(2) 1/2" (2) TKO	50	—
189H	600V , Raised Ground, 8" #12 Solid Copper Pigtail, UBS, HM	21.0 (344.1)	(6) 1/2" (3) TKO	(2) 1/2" (2) TKO	20	—
189HS	Raised Ground, 10" #12 Stranded Copper Pigtail, UBS, HM	21.0 (344.1)	(6) 1/2" (3) TKO	(2) 1/2" (2) TKO	20	—
189HWP	600V , Raised Ground, UBS, HM	21.0 (344.1)	(6) 1/2" (3) TKO	(2) 1/2" (2) TKO	20	—
189M	600V , Raised Ground, 8" #12 Solid Copper Pigtail, UBS, HM	21.0 (344.1)	(4) 1/2" (2) TKO	(2) 1/2" (2) TKO	20	—
227	600V , MS, Flush, BOX-LOC®, Provided with Far-side support (part #978)	21.0 (344.1)	(6) 1/2" (3) TKO	(3) 1/2" (2) TKO	25	

APPLICATIONS

- RACO® Boxes are installed in walls or ceilings for lighting fixtures, switches or receptacles
- Square boxes are used where multiple conductor runs are split into two or more directions to bring power to a number of electrical devices

PRODUCT FEATURES

- Reference the Box Selection section in the front of this catalog for complete description of bracket types and features
- BOX-LOC® (MS) Bracket Box is a snap to install. Place the bracket on the open side of the stud first. Slots in the bracket engage the lip of the stud and actually crimp it as you press the bracket on the stud, quickly locking it in place
- TKO® Knockouts allow for design and installation flexibility
- UBS Support - Welded to box, preset bend points to work with wall thickness 2-1/2" to 6"

COMPLIANCE

- File E195978
- All RACO UL listed steel boxes are acceptable for use in 2 hr. fire rated floor-ceiling and roof-ceiling assemblies, as well as 2 hr. fire rated bearing and non-bearing wood stud and steel stud walls. For additional information consult Fire Resistance Ratings ANSI/UL 263, Sec. III-6.
- **600V** Per U.L. 514-A, suitable for use without a bonding jumper in circuits up to 600 volts





4" SQUARE EXTENSION RINGS

4" SQUARE BOXES – WELDED WITH CONDUIT KO'S



201, 8201



202



203, 8203



911-6



187



207

APPLICATIONS

- RACO® Extension rings provide a means for adding cubic capacity or as an outlet box for surface conduit

PRODUCT FEATURES

- Combination screw heads provide for faster installation
- Red boxes, covers and extensions for dedicated life safety alarm circuits
- RACO® 187 can be positioned to accommodate one or two switch boxes

COMPLIANCE

- File E195978

CAT. #	DESCRIPTION	CUBIC INCHES (CM ³)	KNOCKOUTS		STD. PKG.	BAR CODE
			SIDES CONDUIT	BOTTOM CONDUIT		
4" Square Extension Rings, 1-1/2" Deep – Drawn with Conduit KO's						
201	—	22.5 (368.7)	(12) 1/2"	—	50	—
8201	—	22.5 (368.7)	(12) 1/2"	—	25	
202	—	22.5 (368.7)	(8) 3/4"	—	50	—
203	—	22.5 (368.7)	(8) 1/2", (4) 3/4"	—	50	—
8203	—	22.5 (368.7)	(8) 1/2", (4) 3/4"	—	20	
911-6	Painted Red	22.5 (368.7)	(8) 1/2", (4) 3/4"	—	50	—
187	Attaches to Switch Boxes	22.5 (368.7)	(8) 1/2", (4) 3/4"	—	25	
4" Square Extension Rings, 2-1/8" Deep – Welded with Conduit KO's						
207	—	30.3 (496.5)	(6) 1/2", (6) 3/4"	—	25	—



232, 8232



232RAC



231, 8231



233, 8233



232SM



911-3



232CS



232-OW

CAT. #	DESCRIPTION	CUBIC INCHES (CM ³)	KNOCKOUTS		STD. PKG.	BAR CODE
			SIDES CONDUIT	BOTTOM CONDUIT		
4" Square Box, 2-1/8" Deep – Welded with Conduit KO's						
232	600V, Raised Ground	30.3 (496.5)	(8) 1/2", (4) TKO	(2) 1/2", (2) TKO	25	—
8232	600V, Raised Ground	30.3 (496.5)	(8) 1/2", (4) TKO	(2) 1/2", (2) TKO	25	
232RAC	600V	30.3 (496.5)	(8) 1/2", (4) TKO	(3) 1/2", (2) TKO	25	—
231	600V, Raised Ground	30.3 (496.5)	(8) 3/4"	(1) 1/2", (4) 3/4"	25	—
8231	600V, Raised Ground	30.3 (496.5)	(8) 3/4"	(1) 1/2", (4) 3/4"	25	
233	600V, Raised Ground	30.3 (496.5)	(8) 1"	(3) 1/2", (2) 3/4"	25	—
8233	600V, Raised Ground	30.3 (496.5)	(8) 1"	(3) 1/2", (2) 3/4"	25	
232SM	600V, Raised Ground, 10" #12 Stranded Copper Pigtail	30.3 (496.5)	(8) 1/2", (4) TKO	(2) 1/2", (2) TKO	25	
911-3	600V, Painted Red	30.3 (496.5)	(8) 1/2", (4) TKO	(2) 1/2", (2) TKO	25	
232CS	600V, Raised Ground, Elevated Side Knockouts	30.3 (496.5)	(8) 1/2", (4) TKO	(2) 1/2", (2) TKO	25	—
232-OW	600V, Raised Ground, Old Work RETRO-RING, Accepts Box Mounting of One or Two Devices	30.3 (496.5)	(8) 1/2", (4) TKO	(2) 1/2", (2) TKO	25	

APPLICATIONS

- RACO® Boxes are installed in walls or ceilings for lighting fixtures, switches or receptacles
- Square boxes are used where multiple conductor runs are split into two or more directions to bring power to a number of electrical devices

PRODUCT FEATURES

- Combination screw heads provide for faster installation
- TKO® knockouts offer greater flexibility with RACO patented combination 1/2" and 3/4" knockout
- Red boxes, covers and extensions for dedicated life safety alarm circuits

COMPLIANCES

- File E195978
- LISTED (232SM only)
- All RACO UL listed steel boxes are acceptable for use in 2 hr. fire rated floor-ceiling and roof-ceiling assemblies, as well as 2 hr. fire rated bearing and non-bearing wood stud and steel stud walls. For additional information consult Fire Resistance Ratings ANSI/UL 263, Sec. III-6.
- 600V Per U.L. 514-A, suitable for use without a bonding jumper in circuits up to 600 volts





4" SQUARE BRACKETED BOXES – WELDED WITH CONDUIT KO'S



APPLICATIONS

- RACO® Boxes are installed in walls or ceilings for lighting fixtures, switches or receptacles
- Square boxes are used where multiple conductor runs are split into two or more directions to bring power to a number of electrical devices

PRODUCT FEATURES

- Reference the Box Selection section in the front of this catalog for complete description of bracket types and features
- BOX-LOC® (MS) Bracket Box is a snap to install. Place the bracket on the open side

of the stud first. Slots in the bracket engage the lip of the stud and actually crimp it as you press the bracket on the stud, quickly locking it in place

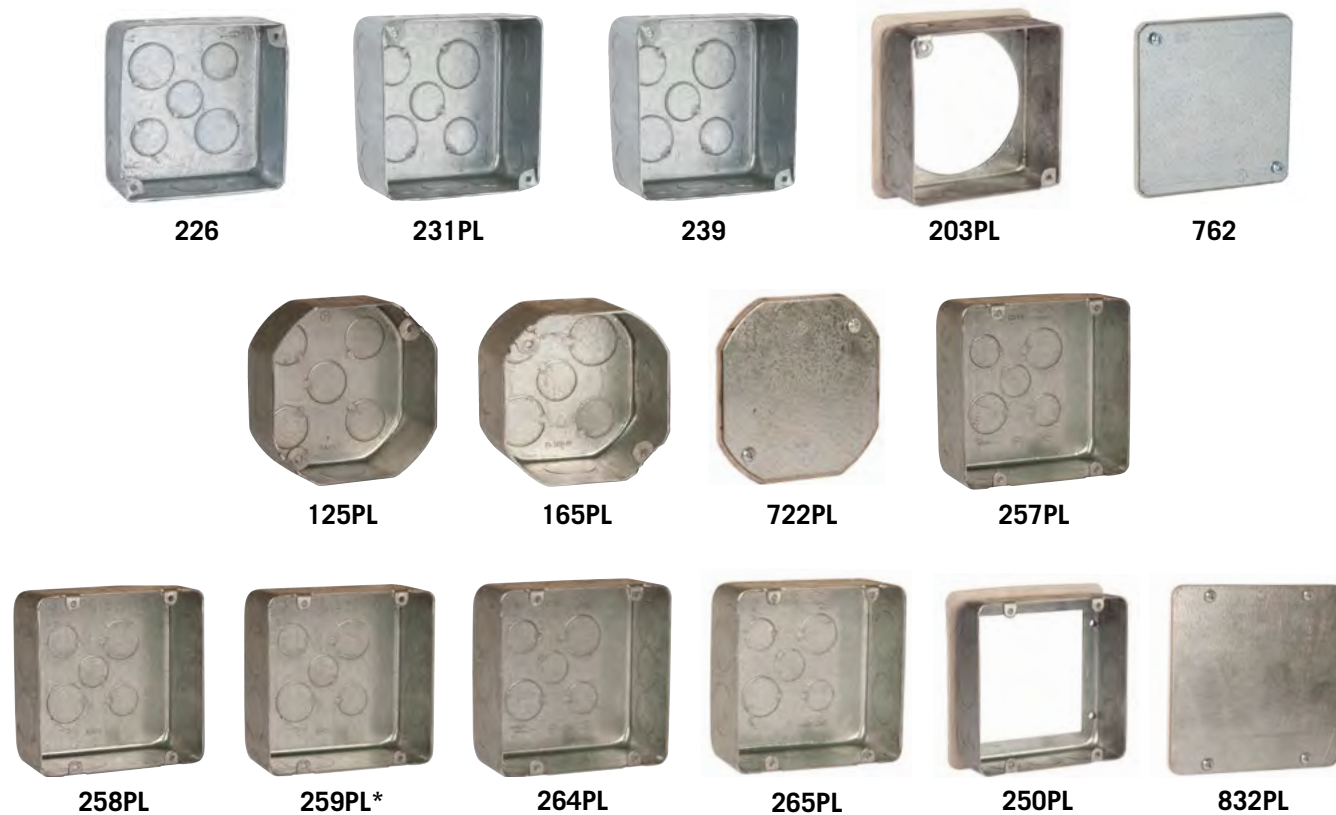
- Combination screw heads provide for faster installation
- TKO® knockouts offer greater flexibility with RACO® patented combination 1/2" and 3/4" knockout
- UBS Support - Welded to box, preset bend points to work with wall thickness 2-1/2" to 6"
- Red boxes, covers and extensions for dedicated life safety alarm circuits

COMPLIANCE

- File E195978
- All RACO UL listed steel boxes are acceptable for use in 2 hr. fire rated floor-ceiling and roof-ceiling assemblies, as well as 2 hr. fire rated bearing and non-bearing wood stud and steel stud walls. For additional information consult Fire Resistance Ratings ANSI/UL 263, Sec. III-6.
- **600V** Per U.L. 514-A, suitable for use without a bonding jumper in circuits up to 600 volts

CAT. #	DESCRIPTION	CUBIC IN. (CM ³)	KNOCKOUTS		STD. PKG.	BAR CODE
			SIDES CONDUIT	BOTTOM CONDUIT		
4" Square Box, 2-1/8" Deep – Welded with Conduit KO's						
236	600V, FM, Flush	30.3 (496.5)	(6) 3/4"	(1) 1/2", (4) 3/4"	25	
235	600V, TS, Flush	30.3 (496.5)	(6) 1/2", (3) TKO	(3) 1/2", (2) TKO	25	—
8235	TS, Flush,	30.3 (496.5)	(6) 1/2", (3) TKO	(3) 1/2", (2) TKO	25	
251	B Flush	30.3 (496.5)	(6) 1/2", (3) TKO	(3) 1/2", (2) TKO	25	—
232H	Raised Ground, 8" #12 Solid Copper Pigtail, UBS, HM	30.3 (496.5)	(8) 1/2", (4) TKO	(2) 1/2", (2) TKO	25	—
232HS	Raised Ground, 10" #12 Stranded Copper Pigtail, UBS, HM	30.3 (496.5)	(8) 1/2", (4) TKO	(2) 1/2", (2) TKO	25	—
232HWP	Raised Ground, UBS, HM	30.3 (496.5)	(8) 1/2", (4) TKO	(2) 1/2", (2) TKO	25	—
8232HWP	Raised Ground, UBS, HM	30.3 (496.5)	(8) 1/2", (4) TKO	(2) 1/2", (2) TKO	25	
232M	600V, Raised Ground, 8" #12 Solid Copper Pigtail, UBS, HM	30.3 (496.5)	(8) 1/2", (4) TKO	(2) 1/2", (2) TKO	25	—
232F	600V, Raised Ground 8" #12 Solid Copper Pigtail, UBS	30.3 (496.5)	(8) 1/2", (4) TKO	(2) 1/2", (2) TKO	25	—
238	BOX-LOC®, MS, Flush, Provided with Far-side support (part #978)	30.3 (496.5)	(6) 1/2", (3) TKO	(3) 1/2", (2) TKO	25	
911-4	FM Bracket, Painted Red	30.3 (496.5)	(6) 1/2", (3) TKO	(3) 1/2", (2) TKO	25	—

4" SQUARE PLENUM BOXES & COVER



CAT. #	DESCRIPTION	CU. IN. (CM ³)	AIR-TIGHT KNOCKOUTS		STD. PKG.	BAR CODE
			SIDES CONDUIT	BOTTOM CONDUIT		
4" Square Plenum Box and Covers						
226	1-1/2" deep box	21	(8) 1/2", (4) 3/4"	(3) 1/2", (2) 3/4"	50	
231PL	2-1/8" deep box	30.3	(8) 3/4"	(3) 1/2", (2) 3/4"	25	—
239	2-1/8" deep box	30.3	(8) 1/2", (4) 3/4"	(3) 1/2", (2) 3/4"	25	
203PL	1-1/2" deep extension 4" sq. boxes	21	(8) 1/2", (4) 3/4"	—	50	—
762	Gasketed blank cover for 4" sq. boxes	—	—	—	50	
4" Octagon Plenum Boxes and Covers						
125PL	1-1/2" deep box	15.5	(4) 1/2"	(5) 1/2"	50	—
165PL	2-1/8" deep box	21.5	(2) 1/2", (2) 3/4"	(3) 1/2", (2) 3/4"	25	—
722PL	Gasketed blank cover for 4" octagon box	—	—	—	25	—
4-11/16" Square Plenum Boxes and Covers						
257PL	2-1/8" deep box	42	(8) 1/2", (4) 3/4"	(3) 1/2", (2) 3/4"	25	—
258PL	2-1/8" deep box	42	(8) 1"	(3) 1/2", (2) 3/4"	25	—
259PL*	2-1/8" deep box	42	(4) 1", (4) 1-1/4"	(3) 1/2", (2) 3/4"	25	—
264PL	2-1/8" deep box	42	(12) 3/4"	(3) 1/2", (2) 3/4"	25	—
265PL	2-1/8" deep box	42	(6) 3/4", (4) 1"	(3) 1/2", (2) 3/4"	25	—
250PL	1-1/2" deep extension 4-11/16" sq. box	30	(8) 1/2", (4) 3/4"	—	25	—
832PL	Gasketed blank cover for 4-11/16" sq. box	—	—	—	25	—

APPLICATIONS

- RACO® Plenum boxes are used in above-ceiling applications where air-tight enclosures are required

PRODUCT FEATURES

- To maintain plenum seal, RACO Plenum Boxes do not provide ground screw holes
- Cover gasket is PVC foam material
- Air-tight Knockouts

COMPLIANCE

- File E195978

* Not UL Rated

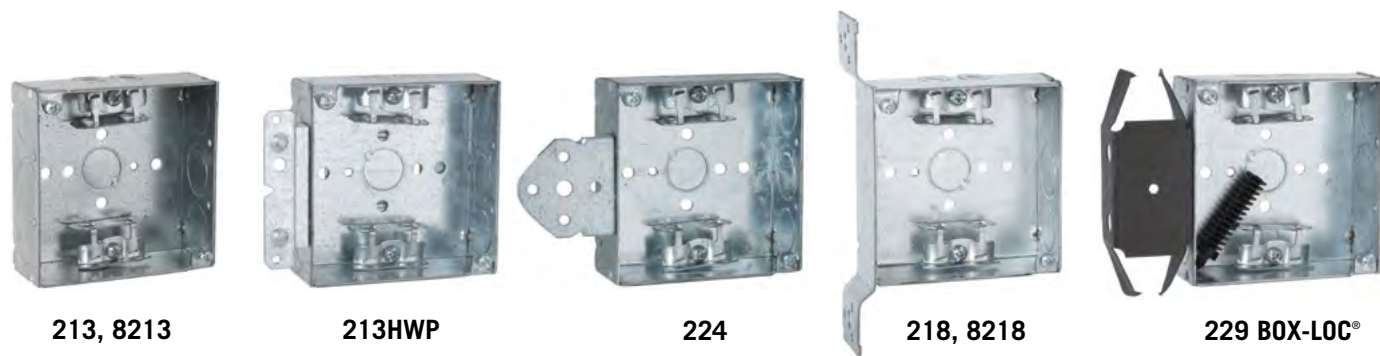




3-3/4" SQUARE BOXES – WELDED WITH CONDUIT KO'S



4" SQUARE BOXES – WELDED WITH ARMORED CABLE / METAL CLAD / FLEX CLAMPS



APPLICATIONS

- RACO® Red boxes and covers allow inspector or building owner to immediately identify alarm/fire or life safety systems

PRODUCT FEATURES

- 3-3/4" opening in wall allows for margin of error when using a 4" square cover
- Accepts all 4" square covers and mudrings
- Red boxes, covers and extensions for dedicated life safety alarm circuits

COMPLIANCE

- File E195978

CAT. #	DESCRIPTION	CUBIC INCHES (CM ³)	KNOCKOUTS		STD. PKG.	BAR CODE
			SIDES CONDUIT	BOTTOM CONDUIT		
3-3/4" Square Large Capacity Boxes, 3-1/2" Deep – Welded with Conduit KO's						
256		45.0 (737.4)	(12) 1/2"-3/4" Concentric	(4) 1/2"-3/4" Concentric	25	
911-2	Painted Red	45.0 (737.4)	(12) 1/2"-3/4" Concentric	(4) 1/2"-3/4" Concentric	25	—
3-3/4" Square Large Capacity Bracketed Boxes, 3-1/2" Deep – Welded with Conduit KO's						
255	FM Bracket	45.0 (737.4)	(10) 1/2"-3/4" Concentric	(4) 1/2"-3/4" Concentric	10	
911-1	FM Bracket, Painted Red	45.0 (737.4)	(10) 1/2"-3/4" Concentric	(4) 1/2"-3/4" Concentric	10	—

APPLICATIONS

- RACO® Boxes are installed in walls or ceilings for lighting fixtures, switches or receptacles
- Square boxes are used where multiple conductor runs are split into two or more directions to bring power to a number of electrical devices

PRODUCT FEATURES

- Reference the Box Selection section in the front of this catalog for complete description of bracket types and features
- BOX-LOC® (MS) Bracket Box is a snap to install. Place the bracket on the open side of the stud first. Slots in the bracket engage the lip of the stud and actually crimp it as you press the bracket on the stud, quickly locking it in place
- UBS Support - Welded to box, preset bend points to work with wall thickness 2-1/2" to 6"
- Combination screw heads provide for faster installation
- TKO® Knockouts offer greater flexibility with RACO patented combination 1/2" and 3/4" knockout

COMPLIANCE

- File E195978
- All RACO UL listed steel boxes are acceptable for use in 2 hr. fire rated floor-ceiling and roof-ceiling assemblies, as well as 2 hr. fire rated bearing and non-bearing wood stud and steel stud walls. For additional information consult Fire Resistance Ratings ANSI/UL 263, Sec. III-6.
- **600V** Per U.L. 514-A, suitable for use without a bonding jumper in circuits up to 600 volts

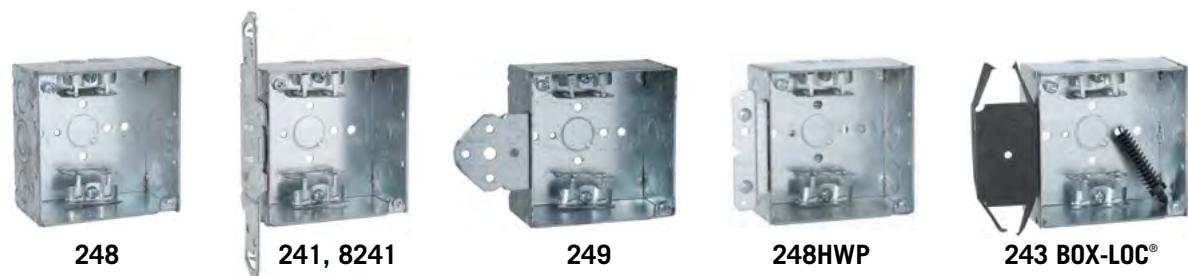
CAT. #	DESCRIPTION	CUBIC INCHES (CM ³)	KNOCKOUTS			STD. PKG.	BAR CODE
			CABLE PRIOUTS	SIDES CONDUIT	BOTTOM CONDUIT		
4" Square Box, 1-1/2" Deep – Welded with Armored Cable/Metal Clad/Flex Clamps							
213	600V	21.0 (344.1)	4	(4) 1/2", (2) TKO	(1) 1/2"	50	—
8213	600V	21.0 (344.1)	4	(4) 1/2", (2) TKO	(1) 1/2"	50	
4" Square Bracketed Box, 1-1/2" Deep – Welded with Armored Cable/Metal Clad/Flex Clamps							
213HWP	600V , HM, UBS	21.0 (344.1)	4	(4) 1/2", (2) TKO	(1) 1/2"	20	—
224	600V , B, Flush	21.0 (344.1)	4	(2) 1/2", (1) TKO	(1) 1/2"	25	—
218	600V , FS, Flush	21.0 (344.1)	4	(2) 1/2", (1) TKO	(1) 1/2"	25	—
8218	600V , FS, Flush	21.0 (344.1)	4	(2) 1/2", (1) TKO	(1) 1/2"	25	
229	600V , BOX-LOC®, (MS) Flush, Provided with Far-side support (part #978)	21.0 (344.1)	4	(2) 1/2"	(1) 1/2"	25	





4" SQUARE BOXES – WELDED WITH ARMORED CABLE / METAL CLAD / FLEX CLAMPS

4" SQUARE STAB-IT® BOXES – WELDED WITH ARMORED CABLE / METAL CLAD / FLEX CLAMPS



APPLICATIONS

- RACO® Boxes are installed in walls or ceilings for lighting fixtures, switches or receptacles
- Square boxes are used where multiple conductor runs are split into two or more directions to bring power to a number of electrical devices

PRODUCT FEATURES

- Reference the Box Selection section in the front of this catalog for complete description of bracket types and features
- BOX-LOC® (MS) Bracket Box is a snap to install. Place the bracket on the open side of the stud first. Slots in the bracket engage the lip of the stud and actually crimp it as you press the bracket on the stud, quickly locking it in place
- Combination screw heads provide for faster installation
- TKO® knockouts offer greater flexibility with RACO patented combination 1/2" and 3/4" knockout

COMPLIANCE

- File E195978
- All RACO UL listed steel boxes are acceptable for use in 2 hr. fire rated floor-ceiling and roof-ceiling assemblies, as well as 2 hr. fire rated bearing and non-bearing wood stud and steel stud walls. For additional information consult Fire Resistance Ratings ANSI/UL 263, Sec. III-6.
- **600V** Per U.L. 514-A, suitable for use without a bonding jumper in circuits up to 600 volts

CAT. #	DESCRIPTION	CUBIC INCHES (CM ³)	KNOCKOUTS			STD. PKG.	BAR CODE
			CABLE PRIOUTS	SIDES CONDUIT	BOTTOM CONDUIT		
4" Square Box, 2-1/8" Deep – Welded with Armored Cable/Metal Clad/Flex Clamps							
248	600V	30.3 (496.5)	4	(4) 1/2", (2) TKO	(1) 1/2"	25	
4" Square Bracketed Box, 2-1/8" Deep – Welded with Armored Cable/Metal Clad/Flex Clamps							
241	600V , TS, Flush	30.3 (496.5)	4	(2) 1/2", (1) TKO	(1) 1/2"	25	—
8241	600V , TS, Flush	30.3 (496.5)	4	(2) 1/2", (1) TKO	(1) 1/2"	25	
249	600V , B, Flush	30.3 (496.5)	4	(2) 1/2", (1) TKO	(1) 1/2"	25	—
248HWP	600V , HM Bracket, UBS	30.3 (496.5)	4	(2) 1/2", (1) TKO	(1) 1/2"	25	
243	600V , BOX-LOC®, (MS) Flush, Provided w/Far-side support (part #978)	30.3 (496.5)	4	(2) 1/2", (1) TKO	(1) 1/2"	25	

APPLICATION

- For any job where flexible armored cable is being used.

PRODUCT FEATURES

- Designed for quick installation of flex, MC, MCI, MCI-A, AC, and HCF Cable. Refer to STAB-iT chart on page A-7
- Accepts cable sizes from 14/2 up to 10/3 for most cable types

- Each STAB-iT connector accommodates two cables
- Pre-installed 8" solid #12 pigtail for faster installation

COMPLIANCES

- File E195978
- LISTED (232S and 232SCM)

- All RACO UL listed steel boxes are acceptable for use in 2 hr. fire rated floor-ceiling and roof-ceiling assemblies, as well as 2 hr. fire rated bearing and non-bearing wood stud and steel stud walls. For additional information consult Fire Resistance Ratings ANSI/UL 263, Sec. III-6.

CAT. #	DESCRIPTION	CUBIC INCHES (CM ³)	KNOCKOUTS			STD. PKG.	BAR CODE
			CABLE PRIOUTS	SIDES CONDUIT	BOTTOM CONDUIT		
4" Square Stab-iT Box, 2-1/8" Deep – Welded with Armored Cable/Metal Clad/Flex Clamps							
232S	(1) STAB-IT Connector, w/ Pigtail	30.3 (496.5)	2	(6) 1/2", (3) 1/2"-3/4" TKO	(1) 1/2", (1) 1/2"-3/4" TKO	25	
232MS	(1) STAB-IT Connector, M Bracket for Pre-fab, w/ Pigtail	30.3 (496.5)	2	(6) 1/2", (3) 1/2"-3/4" TKO	(1) 1/2", (1) 1/2"-3/4" TKO	25	
232SCM	(1) STAB-IT Connector, w/Pigtail & Cable Management Clip	30.3 (496.5)	2	(6) 1/2", (3) 1/2"-3/4" TKO	(1) 1/2", (1) 1/2"-3/4" TKO	25	
232MSCM	(1) STAB-IT Connector, M Bracket, w/Pigtail & Cable Management Clip	30.3 (496.5)	2	(6) 1/2", (3) 1/2"-3/4" TKO	(1) 1/2", (1) 1/2"-3/4" TKO	25	
244S	(2) STAB-IT Connectors on top, w/Pigtail	30.3 (496.5)	4	(6) 1/2", (3) 1/2"-3/4" TKO	(1) 1/2", (1) 1/2"-3/4" TKO	25	
244SCM	(2) STAB-IT Connectors on top, w/Pigtail & (2) Cable Management Clips	30.3 (496.5)	4	(6) 1/2", (3) 1/2"-3/4" TKO	(1) 1/2", (1) 1/2"-3/4" TKO	25	
244MS	(2) STAB-IT Connectors, Connectors on top, M Bracket, w/Pigtail	30.3 (496.5)	4	(6) 1/2", (3) 1/2"-3/4" TKO	(1) 1/2", (1) 1/2"-3/4" TKO	25	
244MSCM	(2) STAB-IT Connectors on top, M Bracket, w/Pigtail & (2) Cable Management Clips	30.3 (496.5)	4	(6) 1/2", (3) 1/2"-3/4" TKO	(1) 1/2", (1) 1/2"-3/4" TKO	25	
248S	(2) STAB-IT Connectors, w/ Pigtail	30.3 (496.5)	4	(4) 1/2", (2) 1/2"-3/4" TKO	(1) 1/2", (1) 1/2"-3/4" TKO	25	
248HS	(2) STAB-IT Connectors, H Bracket, w/Pigtail	30.3 (496.5)	4	(4) 1/2", (2) 1/2"-3/4" TKO	(1) 1/2", (1) 1/2"-3/4" TKO	25	
248MS	(2) STAB-IT Connectors, M Bracket for Pre-fab, w/ Pigtail	30.3 (496.5)	4	(4) 1/2", (2) 1/2"-3/4" TKO	(1) 1/2", (1) 1/2"-3/4" TKO	25	





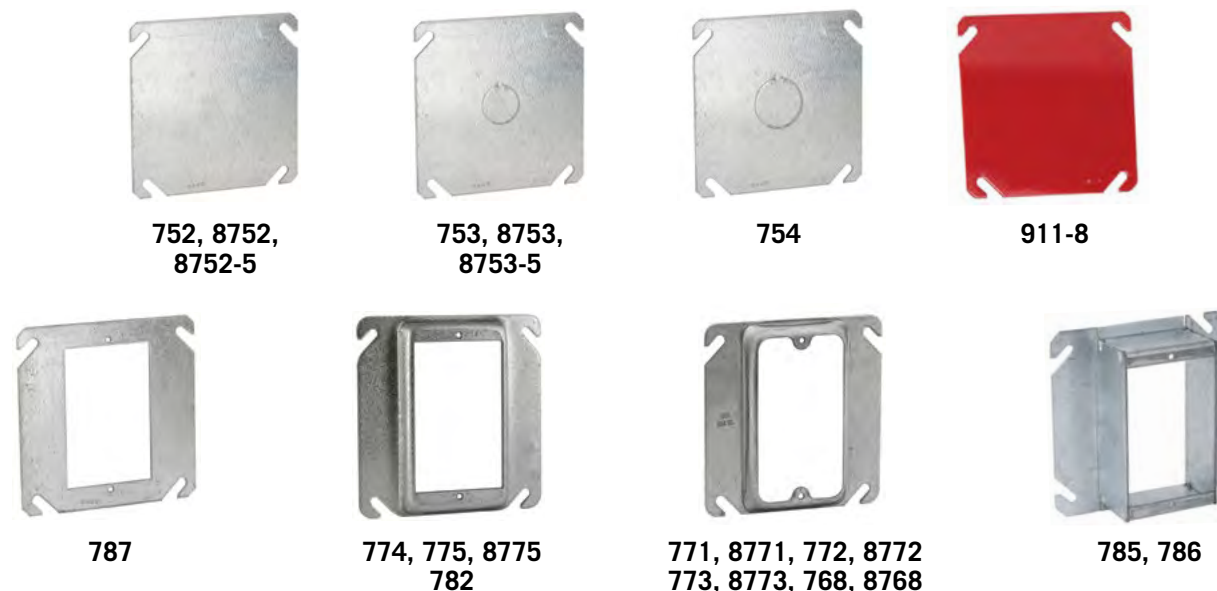
SQUARE BOXES AND COVERS

SQUARE BOXES AND COVERS

4" SQUARE BOXES – WELDED WITH NONMETALLIC SHEATHED CABLE CLAMPS



4" SQUARE COVERS



APPLICATIONS

- RACO® Boxes are installed in walls or ceilings for lighting fixtures, switches or receptacles
- Square boxes are used where multiple conductor runs are split into two or more directions to bring power to a number of electrical devices

PRODUCT FEATURES

- Reference the Box Selection section in the front of this catalog for complete description of bracket types and features
- BOX-LOC® (MS) Bracket Box is a snap to install. Place the bracket on the open side of the stud first. Slots in the bracket engage the lip of the stud and actually crimp it as you press the bracket on the stud, quickly locking it in place
- Combination screw heads provide for faster installation
- TKO® knockouts offer greater flexibility with RACO patented combination 1/2" and 3/4" knockout

CAT. #	DESCRIPTION	CUBIC INCHES (CM³)	KNOCKOUTS			STD. PKG.	BAR CODE
			CABLE PRIORITS	SIDES CONDUIT	BOTTOM CONDUIT		
4" Square Box, 1-1/2" Deep – Welded with Nonmetallic Sheathed Cable Clamps							
211	600V	21.0 (344.1)	4	(4) 1/2", (2) TKO	(1) 1/2"	50	—
8211	600V	21.0 (344.1)	4	(4) 1/2", (2) TKO	(1) 1/2"	50	
223	600V, FS, Flush	21.0 (344.1)	4	(2) 1/2", (1) TKO	(1) 1/2"	25	
225	600V, B, Flush	21.0 (344.1)	4	(2) 1/2", (1) TKO	(1) 1/2"	25	—
228	600V, BOX-LOC®, (MS) Flush, Provided w/Far-side support (part #978)	21.0 (344.1)	4	(2) 1/2", (1) TKO	(1) 1/2"	25	
4" Square Box, 2-1/8" Deep – Welded with Nonmetallic Sheathed Cable Clamps							
242	600V	30.3 (496.5)	4	(4) 1/2", (2) TKO	(1) 1/2"	25	—
240	600V, TS, Flush	30.3 (496.5)	4	(2) 1/2", (1) TKO	(1) 1/2"	25	—
8240	600V, TS, Flush	30.3 (496.5)	4	(2) 1/2", (1) TKO	(1) 1/2"	25	

COMPLIANCE

- File E195978
- All RACO UL listed steel boxes are acceptable for use in 2 hr. fire rated floor-ceiling and roof-ceiling assemblies, as well as 2 hr. fire rated bearing and non-bearing wood stud and steel stud walls. For additional information consult Fire Resistance Ratings ANSI/UL 263, Sec. III-6.
- 600V Per U.L. 514-A, suitable for use without a bonding jumper in circuits up to 600 volts

CATALOG #	DESCRIPTION	CUBIC INCHES (CM³)	STD. PKG.	BAR CODE
4" Square Flat Covers				
752	Flat, Blank	—	50	—
8752	Flat, Blank	—	50	
8752-5*	Flat, Blank	—	50	
753	Flat, 1/2" KO in Center	—	50	—
8753	Flat, 1/2" KO in Center	—	50	
8753-5*	Flat, 1/2" KO in Center	—	50	
754	Flat, 3/4" KO in Center	—	50	—
911-8	Flat, Blank, Painted Red	—	50	
4" Square Single Device Covers				
787	Flat	—	25	
771	Raised 1/4"	1.5 (24.6)	100	—
8771	Raised 1/4"	1.5 (24.6)	25	
782	Raised 1/2" Tile	3.5 (57.3)	25	
772	Raised 1/2" Drawn	3.5 (57.3)	100	—
8772	Raised 1/2" Drawn	3.5 (57.3)	50	
768	Raised 5/8"	4.5 (73.7)	50	—
8768	Raised 5/8"	4.5 (73.7)	25	
773	Raised 3/4"	5.5 (90.1)	50	—
8773	Raised 3/4"	5.5 (90.1)	25	
774	Raised 1"	7.5 (122.9)	25	
775	Raised 1-1/4"	9.5 (115.6)	25	—
8775	Raised 1-1/4"	9.5 (115.6)	25	
785	Raised 1-1/2"	11.3 (185.2)	25	—
786	Raised 2"	14.5 (237.6)	25	—

APPLICATIONS

- RACO® covers are used to close an outlet box
- Raised device covers are used for mounting switches or receptacles

PRODUCT FEATURES

- Angled mounting slots compensate up to 12° for box misalignment
- Red boxes, covers and extensions for dedicated life safety alarm circuits

COMPLIANCES

- File E195978
- File LR-1082

*5 Bundles of 10 – sold in carton quantities only

4" SQUARE COVERS



APPLICATIONS

- Raised device covers are used for mounting switches or receptacles
- Low voltage partitions may be added to conduit-type boxes to divide power from voice/data

PRODUCT FEATURES

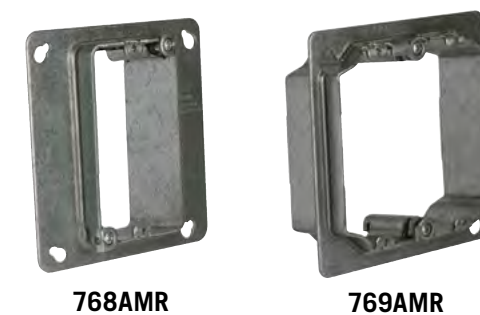
- Angled mounting slots compensate up to 12° for box misalignment

COMPLIANCES

- File E195978
- File LR-1082

CATALOG #	DESCRIPTION	CUBIC INCHES (CM ³)	STD. PKG.	BAR CODE
4" Square Two Device and Tile Covers				
791	Flat	—	25	
777	Raised, 1/4", Drawn	3.0 (49.2)	50	—
8777-0	Raised, 1/4", Drawn	3.0 (49.2)	10	
778	Raised, 1/2", Drawn	5.5 (90.1)	50	—
8778	Raised, 1/2", Drawn	5.5 (90.1)	25	
769	Raised, 5/8", Drawn	7.3 (119.6)	50	—
8769	Raised, 5/8", Drawn	7.3 (119.6)	25	
779	Raised, 3/4", Drawn	8.8 (144.2)	50	—
8779	Raised, 3/4", Drawn	8.8 (144.2)	25	
780	Raised, 1", Drawn	12.0 (196.6)	25	
781	Raised, 1-1/4", Drawn	15.0 (245.8)	25	—
8781	Raised, 1-1/4", Drawn	15.0 (245.8)	25	
795	Raised, 1-1/2", Welded	15.5 (253.9)	25	—
796	Raised, 2", Welded	20.5 (335.9)	25	—

ADJUSTABLE MUD RINGS



CATALOG #	DESCRIPTION	STD. PKG.	BAR CODE
Adjustable Mud Rings			
768AMR	1-gang Adjustable Mud Ring for 4" sq. boxes	25	
769AMR	2-gang Adjustable Mud Ring for 4" sq. boxes	25	

APPLICATIONS

- Maintain code-compliant installations in hospitals, health care and multi-family applications. Great for use with ceramic tile

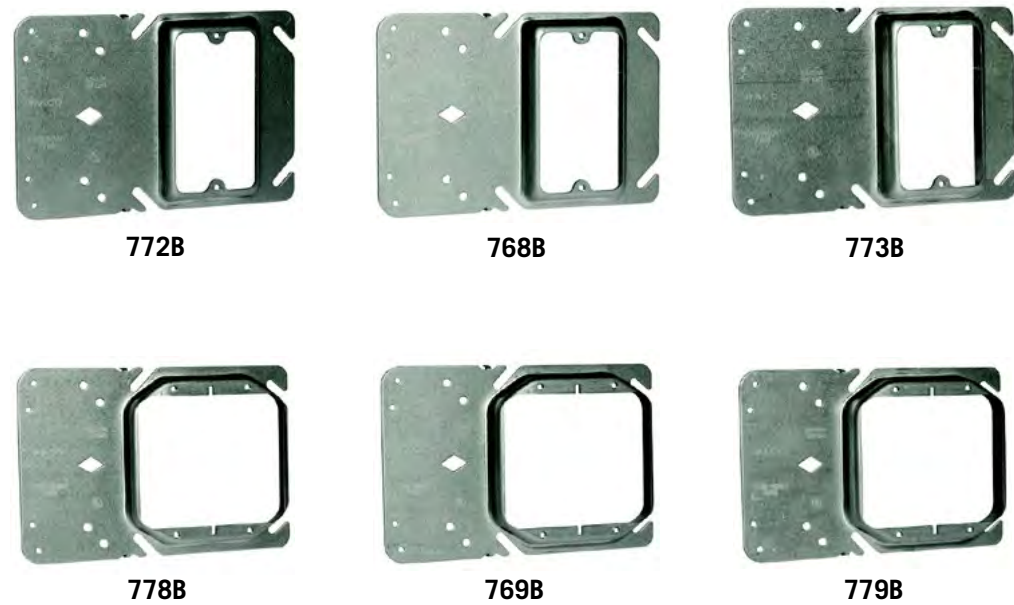
PRODUCT FEATURES

- 1/2" to 1-3/8" adjustability range
- Depth adjusted by 2 screws located on opposite sides
- Adjustment screws are clearly visible and accessible even after device is installed
- All screws are inside of ring eliminating damage from router
- Design allows 2-gang cover to be installed without removing box screws
- For use with 2-1/8" deep boxes only

COMPLIANCE

- LISTED

STUD MOUNT MUD RINGS



APPLICATIONS

- RACO Stud-Mount Mud Rings provide secure support for 4" square boxes and feature a built-in mud ring.

PRODUCT FEATURES

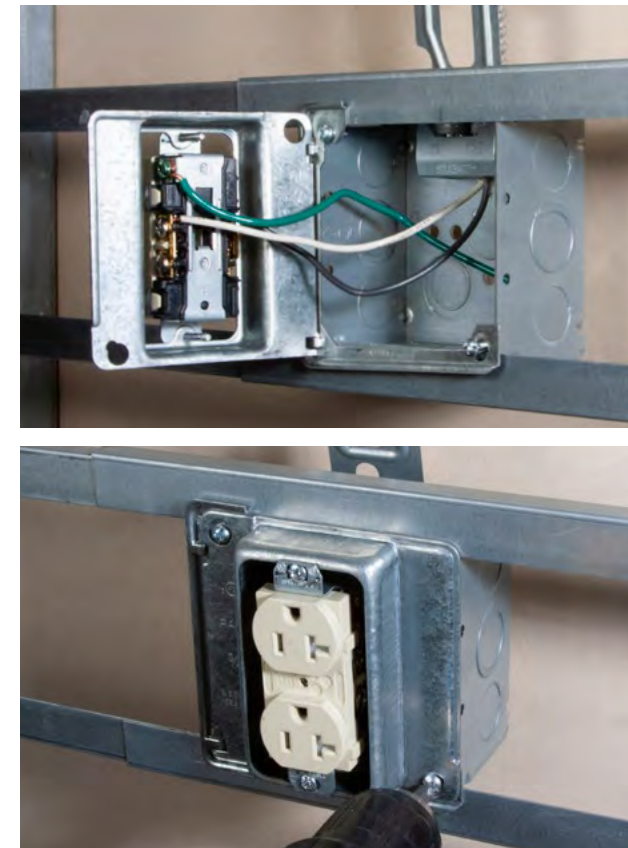
- Rigid bracket design eliminates the need for far-side support
- Ability to eliminate electrical boxes in low-voltage installations
- Can be installed from both sides of steel studs
- Positive Posting Tabs ensure consistent alignment on stud
- Center window for accurate positioning
- Works with all box depths and stud sizes with no adjustment required
- Mounts quickly and easily to face of stud

COMPLIANCES

- File E195978

CATALOG #	DESCRIPTION	WT. LBS. PER 100	CUBIC INCHES	STD. PKG.	BAR CODE
4" Stud Mount Mud Rings					
772B	One Device Raised 1/2"	42	3.5	25	
768B	One Device Raised 5/8"	44	4.5	25	
773B	One Device Raised 3/4"	47	5.5	25	
778B	Two Device Raised 1/2"	37	5.5	20	
769B	Two Device Raised 5/8"	40	7.3	20	
779B	Two Device Raised 3/4"	42	8.8	20	

HINGED MUD RINGS



CATALOG #	DESCRIPTION	STD. PKG.	BAR CODE
Hinged Mud Rings for 4" Square Boxes			
772H	1-Gang Hinged Mud Ring 1/2" raised	25	
768H	1-Gang Hinged Mud Ring 5/8" raised	25	
773H	1-Gang Hinged Mud Ring 3/4" raised	25	
778H	2-Gang Hinged Mud Ring 1/2" raised	25	
769H	2-Gang Hinged Mud Ring 5/8" raised	25	
779H	2-Gang Hinged Mud Ring 3/4" raised	25	

APPLICATIONS

- Perfect for boxes mounted behind drywall or ceramic tile in commercial or residential applications

PRODUCT FEATURES

- Unique design allows for mud ring to be opened in the field
- Hinged design allows for easy and quick access to install conduit connectors and wiring
- Accepts all standard devices
- 2-gang versions accept low voltage partitions

COMPLIANCE

- LISTED

4" SQUARE PARTITIONS



706RAC, 707RAC

708, 709

APPLICATIONS

- Low voltage partitions may be added to conduit-type boxes to divide power from voice/data
- Must be used with raised covers

PRODUCT FEATURES

- Partition divides 4" square boxes into two compartments
- Use with two-device covers which have a slot for the partition
- Partition is scored so it can be broken at the proper depth of box and cover combination
- Helpful hint: Assemble the box with the partition in place before breaking off at the scored tab. This will prevent you from breaking off more tab than needed

CAT. #	DESCRIPTION	STD. PKG.	BAR CODE
Low Voltage Partitions for 1-1/2" Depth Boxes and 2-Device Covers			
706RAC	Fits 1/4", 1/2", 3/4" or 1" Cover Depth (#777, 778, 8778, 779, 8779, 780)	25	—
708	Fits 1-1/4", 1-1/2" or 2" Cover Depth (#781, 8781, 795, 796)	25	—
Low Voltage Partitions* for 2-1/8" Depth Boxes and 2-Device Covers			
707RAC	Fits 1/4", 1/2", 3/4" or 1" Cover Depth (#777, 778, 8778, 779, 8779, 780)	25	—
709	Fits 1-1/4", 1-1/2" or 2" Cover Depth (#781, 8781, 795, 796)	25	—

*Boxes, covers, and partitions must be ordered separately.
For 1-1/2" and 2-1/8" deep boxes with 5/8" cover, partition not available.
Partitions are usable but not UL listed for 4-11/16" sq. box.*

4" SQUARE FIXTURE COVERS



756-759, 767, 8756, 8767

897KH

APPLICATIONS

- Raised fixture covers are used where fixtures will be installed

PRODUCT FEATURES

- Angled mounting slots compensate up to 12° for box misalignment
- Swivel covers restricted to 20° swing from vertical
- KWIK-HANG® 897KH allows easy installation of high bay lighting fixtures. Fixture rests in position while wiring is completed

COMPLIANCE

- LISTED

CAT. #	DESCRIPTION	CUBIC INCHES (CM ³)	RECOMMENDED MAX. LOADS		STD. PKG.	BAR CODE
			CEILING FAN (DYNAMIC) LBS.	FIXTURE (STATIC) LBS.		
4" Square Fixture Covers						
767	Raised, 1/2" Open, Ears 2-3/4" O.C.	3.0 (49.2)	No	50	25	—
8767	Raised, 1/2" Open, Ears 2-3/4" O.C.	3.0 (49.2)	No	50	25	
756	Raised, 5/8" Open, Ears 2-3/4" O.C.	4.0 (65.5)	No	50	100	—
8756	Raised, 5/8" Open, Ears 2-3/4" O.C.	4.0 (65.5)	No	50	25	
759	Raised, 3/4" Open, Ears 2-3/4" O.C.	5.0 (81.9)	No	50	25	
757	Raised, 1" Open, Ears 2-3/4" O.C.	6.8 (111.4)	No	50	25	
758	Raised, 1-1/4" Open, Ears 2-3/4" O.C.	8.5 (139.3)	No	50	25	—
4" Square Swivel Fixture Covers						
897KH	KWIK-HANG® for 4" Sq. Boxes, 1/2" or 3/4" Pipe	—	No	50	25	—

4" SQUARE EXPOSED WORK COVERS



CATALOG #	DESCRIPTION	CUBIC IN. (CM ³)	STD. PKG.	BAR CODE
4" Square, Crushed Corner Covers – Raised 1/2"				
800C	1 Toggle Switch	6.5 (106.5)	10	
801C	1 Receptacle 1.406" Dia.	6.5 (106.5)	10	
803C	2 Toggle Switches	6.5 (106.5)	10	
804C	Blank, No Holes	6.5 (106.5)	10	
805C	1 Toggle Switch and 1 Receptacle 1.406" Dia.	6.5 (106.5)	10	
806C	1 Duplex and 1 Receptacle 1.406" Dia.	6.5 (106.5)	10	
807C	2 Receptacles 1.406" Dia.	6.5 (106.5)	10	
808C	1 GFCI	6.5 (106.5)	10	
809C	2 GFCI	6.5 (106.5)	10	
810C	50A Receptacle 2.141" Dia.	6.5 (106.5)	10	
811C	30A Locking 1.719" Dia.	6.5 (106.5)	10	
812C	20A Receptacle 1.620" Dia.	6.5 (106.5)	10	
813C	30-60A Receptacle 2.625" Dia.	6.5 (106.5)	10	
814C	1 GFCI and 1 Toggle Switch	6.5 (106.5)	10	
831C	1 Duplex, 1 20A Twist Lock® 1.620" Dia.	6.5 (106.5)	10	
902C	1 Duplex Receptacle	6.5 (106.5)	10	
906C	1 Duplex Receptacle and 1 Toggle Switch	6.5 (106.5)	10	
907C	2 Duplex Receptacles	6.5 (106.5)	10	
915C	1 GFCI and 1 Duplex Receptacle	6.5 (106.5)	10	

APPLICATIONS

- RACO® surface covers are used to support switches or receptacles in areas where the box is surface mounted or positioned in exposed work applications

PRODUCT FEATURES

- RACO® exposed work covers include driven screws and break-off lock nuts
- RACO® Exposed work covers meet the requirements of the 2020 NEC Article 250.146 (A). No bonding jumper is required for covers with:
 - (1) Crushed corners
 - (2) Two or more device attachment fasteners that are permanent with thread-locking, screws, or nut-locking means
 - (3) Insulating retaining washer removed for at least one device attachment screw

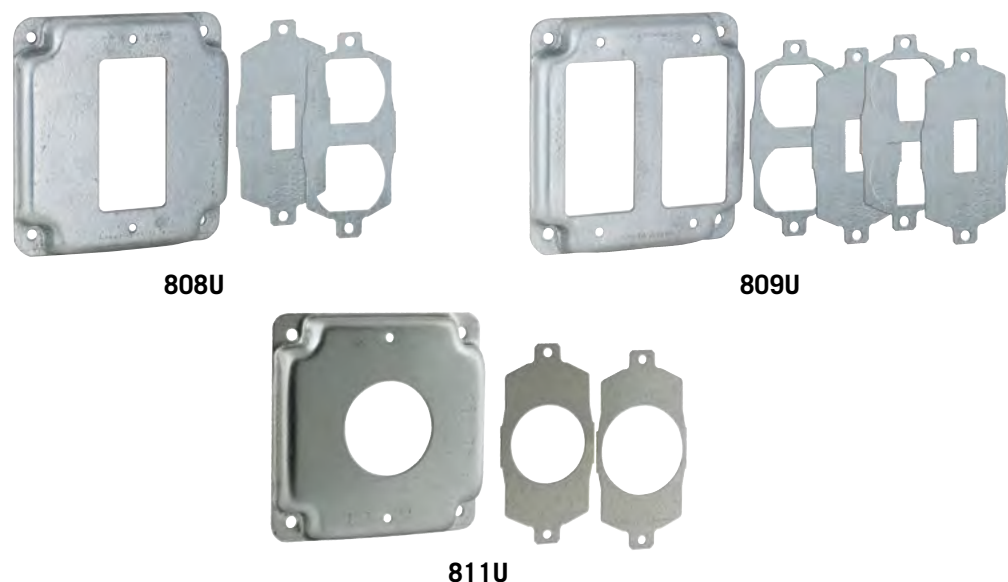
- Hardware and cover are packed with printed catalog number, compliances and installation instructions

COMPLIANCE

-



4" SQUARE EXPOSED WORK COVERS



APPLICATIONS

- RACO® surface covers are used to support switches or receptacles in areas where the box is surface mounted or positioned in exposed work applications

PRODUCT FEATURES

- RACO® exposed work covers include driven screws and break-off lock nuts
- RACO® Exposed work covers meet the requirements of the 2020 NEC Article 250.146 (A). No bonding jumper is required for covers with:
 - (1) Crushed corners
 - (2) Two or more device attachment fasteners that are permanent with thread-locking, screws, or nut-locking means
 - (3) Insulating retaining washer removed for at least one device attachment screw
- Hardware and cover are packed in a poly-bag with printed catalog number, compliances and installation instructions

COMPLIANCE

-

CATALOG #	DESCRIPTION	CUBIC IN. (CM ³)	STD. PKG.	BAR CODE
4" Square Universal Crushed Corner Covers				
808U	Universal for 1 Device: 1 GFCI, 1 Duplex or 1 Toggle (Insert Plates)	6.5 (106.5)	10	
809U	Universal for 2 Device: 2 GFCI, 2 Duplex or 2 Toggle (Insert Plates)	6.5 (106.5)	10	
811U	Universal for 1 Round Device: 1.405" Dia Hole, 1.620" Dia Hole, 1.709 Dia Hole (Insert Plates)	6.5 (106.5)	10	

4-11/16" SQUARE BOXES AND EXTENSION RINGS – DRAWN WITH CONDUIT KO'S



CAT. #	DESCRIPTION	CUBIC INCHES (CM ³)	KNOCKOUTS		STD. PKG.	BAR CODE
			SIDES CONDUIT	BOTTOM CONDUIT		
4-11/16" Square Boxes, 1-1/2" Deep – Drawn with Conduit KO's						
245	—	29.5 (483.4)	(12) 1/2"	(3) 1/2", (2) 3/4"	25	—
246	—	29.5 (483.4)	(10) 3/4"	(3) 1/2", (2) 3/4"	25	—
247	—	29.5 (483.4)	(8) 1/2", (4) 3/4"	(3) 1/2", (2) 3/4"	25	—
4-11/16" Square Extension Rings – Drawn with Conduit KO's						
250	1-1/2" Depth	29.5 (483.4)	(8) 1/2", (4) 3/4"	—	25	—
262	2-1/8" Depth	43.0 (704.6)	(8) 1/2", (4) 3/4"	—	25	

APPLICATIONS

- RACO® 4-11/16" Boxes are used for a wide variety of industrial applications where larger sized conductors or wiring devices are needed and more volume is required
- Drawn boxes are ideal for exposed work applications (surface mounted wiring)
- RACO® Extension rings provide a means for adding cubic capacity or as an outlet box for surface conduit

PRODUCT FEATURES

- Combination screw heads provide for faster installation

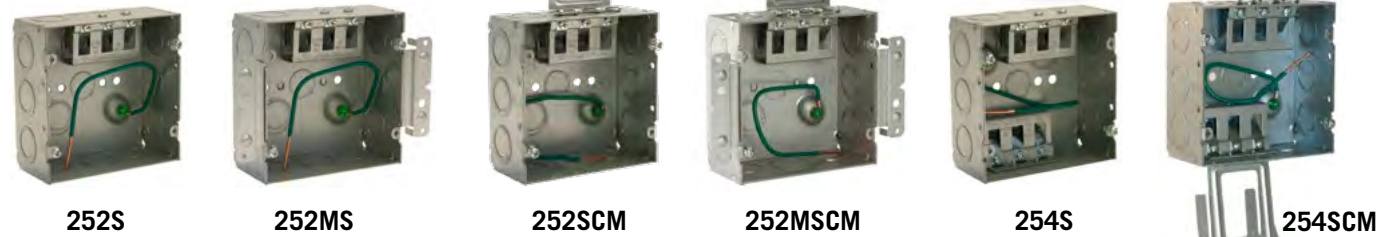
COMPLIANCE

- File E195978



4-11/16" SQUARE BOXES

STAB-IT II



NEW!



252MS and 252MSCM feature RACO's far-side support

APPLICATION

- For any job where flexible armored cable is being used
- Ideal for pre-fab

PRODUCT FEATURES

- Refer to chart on A7
- Accepts cable sizes from 14/2 up to 10/3 for most cable types
- 3 times faster than traditional connectors
- Each STAB-iT connector accommodates three cables

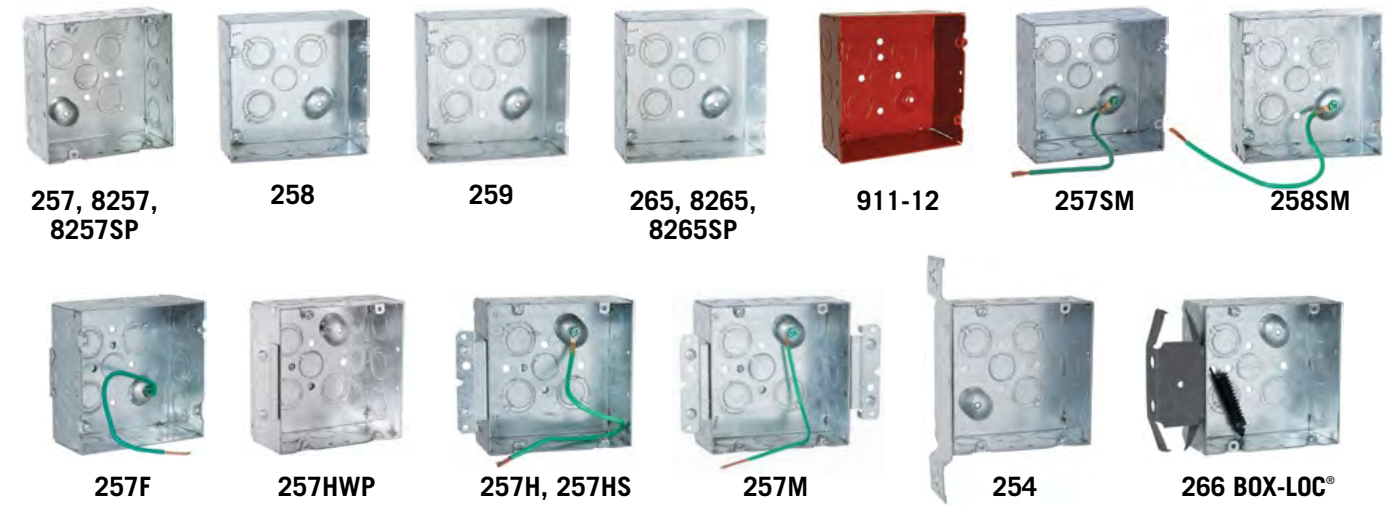
- Available with built-in cable management clip, offering first means of support
- Available with "M" style brackets for stud mounting
- Pre-installed 8" solid #12 pigtail for faster
- Suitable for use without a bonding jumper in circuits up to 600 volts
- Improved design allows each cable to easily be removed, allows connector to be reused

COMPLIANCE

- LISTED

CAT. #	DESCRIPTION	CUBIC INCHES (CM ³)	CABLE PRIQUTS	KNOCKOUTS		STD. PKG.	BAR CODE
				SIDES CONDUIT	BOTTOM CONDUIT		
4-11/16" Square Stab-iT Box, 2-1/8" Deep – Welded with Armored Cable/Metal Clad/Flex Clamps							
252S	(1) STAB-IT II Connector, w/ pigtail	30.3 (496.5)	2	(6) 1/2", (3) 1/2"-3/4" TKO	(1) 1/2", (1) 1/2"-3/4" TKO	25	IIIIIIII
252MS	(1) STAB-IT II Connector, M Bracket for Pre-fab, w/ pigtail	30.3 (496.5)	2	(6) 1/2", (3) 1/2"-3/4" TKO	(1) 1/2", (1) 1/2"-3/4" TKO	25	IIIIIIII
252SCM	(1) STAB-IT II Connector, w/pigtail & Cable Management Clip	30.3 (496.5)	2	(6) 1/2", (3) 1/2"-3/4" TKO	(1) 1/2", (1) 1/2"-3/4" TKO	25	IIIIIIII
252MSCM	(1) STAB-IT II Connector, M Bracket, w/pigtail & Cable Management Clip	30.3 (496.5)	2	(6) 1/2", (3) 1/2"-3/4" TKO	(1) 1/2", (1) 1/2"-3/4" TKO	25	IIIIIIII
254S	(2) STAB-IT II Connectors on top, w/pigtail	30.3 (496.5)	4	(6) 1/2", (3) 1/2"-3/4" TKO	(1) 1/2", (1) 1/2"-3/4" TKO	25	IIIIIIII
254SCM	(2) STAB-IT II Connectors on top, w/pigtail & (2) Cable Management Clips	30.3 (496.5)	4	(6) 1/2", (3) 1/2"-3/4" TKO	(1) 1/2", (1) 1/2"-3/4" TKO	25	IIIIIIII

4-11/16" SQUARE BOXES – WELDED WITH CONDUIT KO'S



CAT. #	DESCRIPTION	CUBIC INCHES (CM ³)	KNOCKOUTS		STD. PKG.	BAR CODE
			SIDES CONDUIT	BOTTOM CONDUIT		
4-11/16" Square Boxes, 2-1/8" Deep – Welded with Conduit KO's						
257	600V, Raised Ground	42.0 (688.2)	(12) TKO	(1) 1/2", (3) TKO	25	—
8257	600V, Raised Ground	42.0 (688.2)	(12) TKO	(1) 1/2", (3) TKO	25	IIIIIIII
8257SP	600V, Raised Ground	42.0 (688.2)	(12) TKO	(1) 1/2", (3) TKO	20	IIIIIIII
258	600V, Raised Ground	42.0 (688.2)	(8) 1"	(1) 1/2", (3) TKO	25	—
259*	600V, Raised Ground	42.0 (688.2)	(6) 1-1/4"	(1) 1/2", (3) TKO	25	—
265	600V, Raised Ground	42.0 (688.2)	(4) 3/4", (4) 1"	(1) 1/2", (3) TKO	25	—
8265	600V, Raised Ground	42.0 (688.2)	(4) 3/4", (4) 1"	(1) 1/2", (3) TKO	25	IIIIIIII
8265SP	600V, Raised Ground	42.0 (688.2)	(4) 3/4", (4) 1"	(1) 1/2", (3) TKO	20	IIIIIIII
911-12	600V, Raised Ground, Painted Red	42.0 (688.2)	(12) TKO	(1) 1/2", (3) TKO	25	—
257SM	600V, Raised Ground, 10" #12 Stranded Copper Pigtail	42.0 (688.2)	(12) TKO	(1) 1/2" (3) TKO	25	IIIIIIII
258SM	600V, Raised Ground, 10" #12 Stranded Copper Pigtail	42.0 (688.2)	(8) 1"	(1) 1/2" (3) TKO	25	IIIIIIII
257F	600V, Raised Ground, 8" #12 Solid Copper Pigtail, UBS	42.0 (688.2)	(12) TKO	(1) 1/2" (3) TKO	20	—
4-11/16" Square Bracketed Boxes, 2-1/8" Deep – Welded with Conduit KO's						
257H	600V, Raised Ground, 8" #12 Solid Copper Pigtail, UBS, HM	42.0 (688.2)	(12) TKO	(1) 1/2" (3) TKO	20	—
257HS	600V, Raised Ground, 10" #12 Stranded Copper Pigtail, UBS, HM	42.0 (688.2)	(12) TKO	(1) 1/2" (3) TKO	20	—
257HWP	Raised Ground, UBS, HM	42.0 (688.2)	(12) TKO	(1) 1/2", (3) TKO	20	—
257M	600V, Raised Ground, 8" #12 Solid Copper Pigtail, UBS, HM	42.0 (688.2)	(12) TKO	(1) 1/2" (3) TKO	20	—
254	600V, Raised Ground, FM	42.0 (688.2)	(9) TKO	(1) 1/2", (3) TKO	25	IIIIIIII
266	600V, Raised Ground, BOX-LOC®, MS Flush, Provided w/Far-side support (part #978)	42.0 (688.2)	(9) TKO	(1) 1/2" (3) TKO	25	IIIIIIII

* Not UL Rated

APPLICATIONS

- RACO 4-11/16" Boxes are used for a wide variety of industrial applications where larger sized conductors or wiring devices are needed and more volume is required

PRODUCT FEATURES

- Reference the Box Selection section in the front of this catalog for complete description of bracket types and features
- BOX-LOC® (MS) Bracket Box is a snap to install. Place the bracket on the open side of the stud first. Slots in the bracket engage the lip of the stud and actually crimp it as you press the bracket on the stud, quickly locking it in place
- Combination screw heads provide for faster installation
- TKO® knockouts allow for design and installation flexibility
- UBS Support - Welded to box, preset bend points to work with wall thickness 2-1/2" to 6"
- Red boxes, covers and extensions for dedicated life safety alarm circuits

COMPLIANCES

- File E195978
- 600V Per U.L. 514-A, suitable for use without a bonding jumper in circuits up to 600 volts



4-11/16" ADJUSTABLE MUD RINGS

APPLICATIONS

- Maintain code-compliant installations in hospitals, health care and multi-family applications. Great for use with ceramic tile

PRODUCT FEATURES

- 1/2" to 1-3/8" adjustability range
- Depth adjusted by 2 screws located on opposite sides
- Adjustment screws are clearly visible and accessible even after device is installed
- All screws are inside of ring eliminating damage from router
- Design allows 2-gang cover to be installed without removing box screws
- For use with 2-1/8" deep boxes

COMPLIANCE

- LISTED



CATALOG #	DESCRIPTION	STD. PKG.	BAR CODE
Adjustable Mud Rings			
868AMR	1-gang Adjustable Mud Ring for 4-11/16" sq. boxes	25	IIIIIIII
869AMR	2-gang Adjustable Mud Ring for 4-11/16" sq. boxes	25	IIIIIIII

4-11/16" SQUARE COVERS



APPLICATIONS

- Covers are used to close an outlet box
- Raised device covers are used for mounting switches or receptacles

PRODUCT FEATURES

- Red boxes, covers and extensions for dedicated life safety alarm circuits

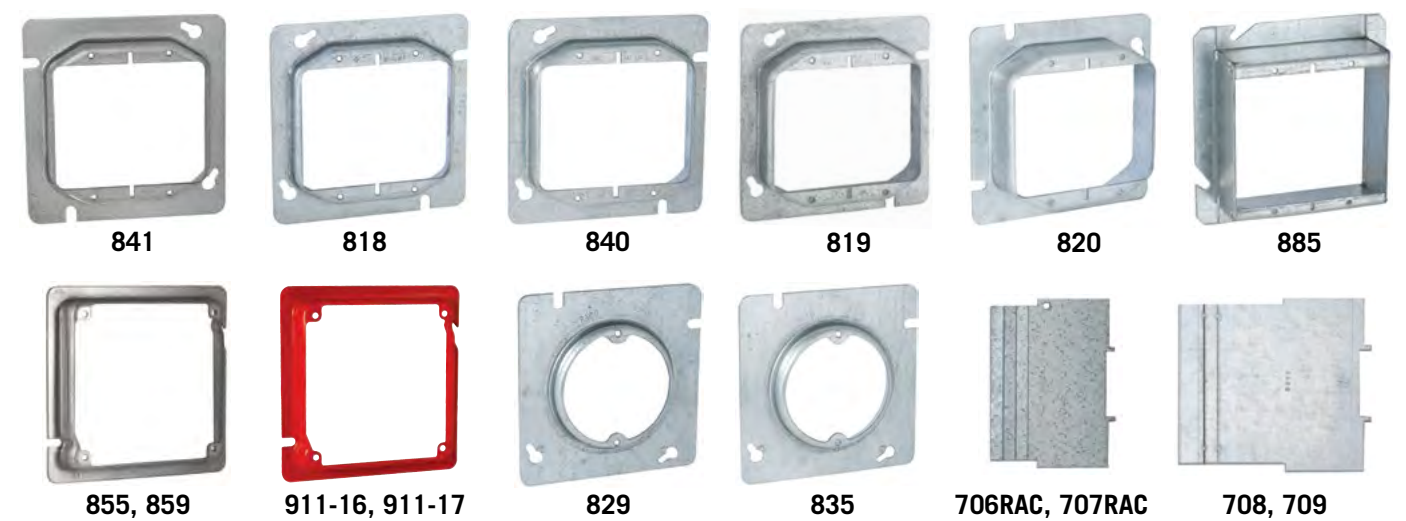
COMPLIANCES

- File E195978
- File LR-1082

CAT. #	DESCRIPTION	STD. PKG.	BAR CODE	CAT. #	DESCRIPTION	CU. IN. (CM ³)	STD. PKG.	BAR CODE
4-11/16" Square Flat Covers				4-11/16" Square Single Device and Tile Covers				
832	Flat, Blank	50	IIIIIIII	837	Raised 1/2"	3.5 (57.3)	25	—
832SP	Flat, Blank	25	IIIIIIII	8837	Raised 1/2"	3.5 (57.3)	25	IIIIIIII
833	Flat, 1/2" KO, Centered	50	IIIIIIII	843	Raised 5/8"	4.5 (73.7)	25	IIIIIIII
8833-5*	Flat, 1/2" KO, Centered	50	IIIIIIII	838	Raised 3/4"	5.5 (90.1)	25	—
911-11	Flat, Blank, Painted Red	50	—	839	Raised 1"	7.5 (122.9)	25	—
				842	Raised 1-1/4"	9.5 (155.6)	25	—
				898	Raised 1-1/2"	11.0 (180.2)	20	—
				899	Raised 2"	16.0 (262.2)	20	—

*5 Bundles of 10 – sold in carton quantities only

4-11/16" SQUARE COVERS AND PARTITIONS



CATALOG #	DESCRIPTION	CUBIC IN. (CM ³)	STD. PKG.	BAR CODE
4-11/16" Square Two Device and Tile Covers				
841	Raised 1/2"	5.5 (90.3)	25	IIIIIIII
818	Raised 5/8"	7.3 (119.6)	25	—
840	Raised 3/4"	8.8 (144.2)	25	—
819	Raised 1"	12.0 (196.6)	25	—
820	Raised 1-1/4"	15.0 (245.8)	25	—
885	Raised 1-1/2"	15.5 (254.0)	20	—
855	Raised 5/8", For Life Safety Appliances & Emergency Exit Signs	8.3 (136.0)	25	—
859	Raised 1-1/4", For Life Safety Appliances & Emergency Exit Signs	16.0 (262.0)	12	—
911-16	Raised 5/8", For Life Safety Appliances & Emergency Exit Signs, Painted Red	8.3 (136.0)	25	—
911-17	Raised 1-1/4", For Life Safety Appliances & Emergency Exit Signs, Painted Red	16.0 (262.0)	12	—

CAT. #	DESCRIPTION	CUBIC INCHES (CM ³)	RECOMMENDED MAX. LOADS	STD. PKG.	BAR CODE
			CEILING FAN (DYNAMIC) LBS.	FIXTURE (STATIC) LBS.	
4-11/16" Square Fixture Covers					
829	Raised 1/2", Open, Ears 2-3/4" O.C.	3.0 (49.6)	No	50	IIIIIIII
835	Raised 5/8", Open, Ears 2-3/4" O.C.	4.0 (65.5)	No	50	—

CAT. #	DESCRIPTION	STD. PKG.	BAR CODE
Low Voltage Partitions* for 1-1/2" Depth Boxes and 2-Device Covers			
706RAC	Fits 1/4", 1/2", 3/4" or 1" Cover Depth (#777, 778, 8778, 779, 8779, 780)	25	—
708	Fits 1-1/4", 1-1/2" or 2" Cover Depth (#781, 8781, 795, 796)	25	—
Low Voltage Partitions* for 2-1/8" Depth Boxes and 2-Device Covers			
707RAC	Fits 1/4", 1/2", 3/4" or 1" Cover Depth (#777, 778, 8778, 779, 8779, 780)	25	—
709	Fits 1-1/4", 1-1/2" or 2" Cover Depth (#781, 8781, 795, 796)	25	—

*Low voltage partitions are not UL Listed
Boxes, covers, and partitions must be ordered separately.
For 1-1/2" and 2-1/8" deep boxes with 5/8" cover, partition not available.
Partitions are usable but not UL listed for 4-11/16" sq. box.

APPLICATIONS

- RACO® 4-11/16" raised device covers are for mounting switches or receptacles
- Raised fixture covers are used where fixtures will be installed
- Low voltage partitions may be added to conduit-type boxes to divide power from voice/data
- Partitions must be used with raised covers

PRODUCT FEATURES

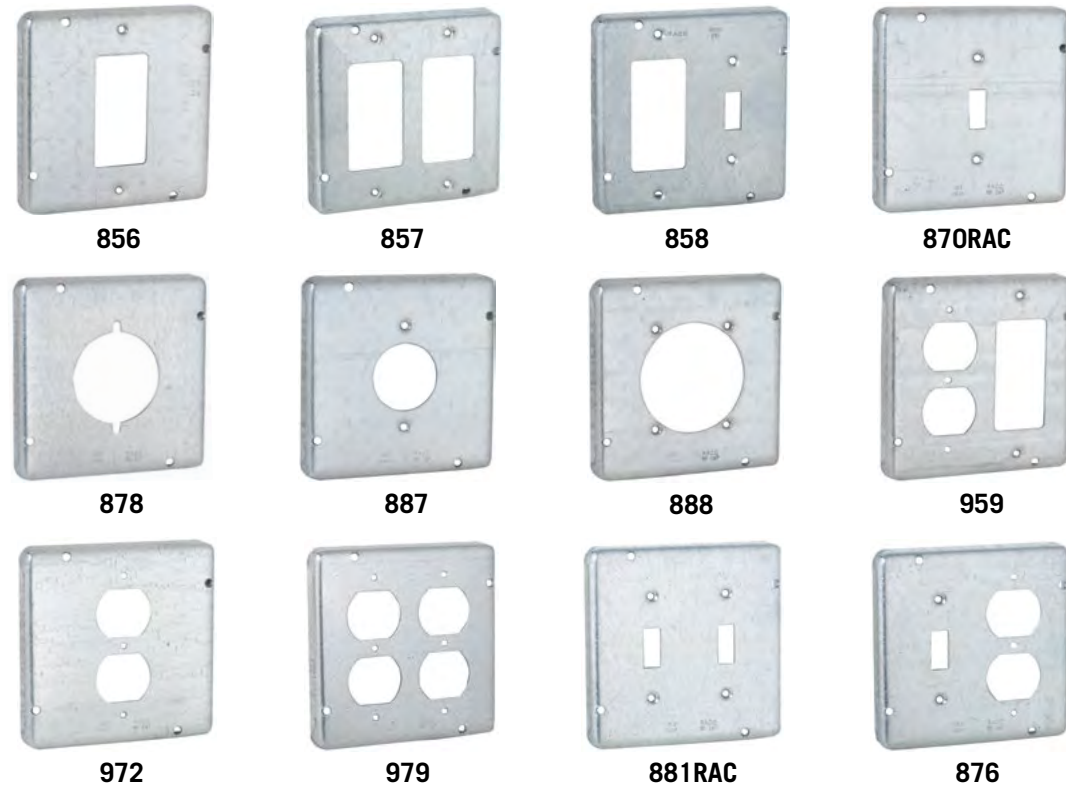
- Red boxes, covers and extensions for dedicated life safety alarm circuits
- Partition divides 4" square boxes into two compartments
- Use partitions with two-device covers which have a slot for the partition
- Partition is scored so it can be broken at the proper depth of box and cover combination
- Helpful hint: Assemble the box with the partition in place before breaking off at the scored tab. This will prevent you from breaking off more tab than needed

COMPLIANCES

- File E195978
- File LR-1082



4-11/16" SQUARE EXPOSED WORK COVERS



APPLICATIONS

- RACO® surface covers are used to support switches or receptacles in areas where the box is surface mounted or positioned in exposed work applications

PRODUCT FEATURES

- RACO® exposed work covers include required hardware for mounting the receptacle(s)
- RACO® Exposed work covers meet the requirements of the 2020 NEC Article 250.146 (A). No bonding jumper is required for covers with:
 - (1) Crushed corners
 - (2) Two or more device attachment fasteners that are permanent with thread-locking, screws, or nut-locking means
 - (3) A lockwasher or equivalent
- Hardware and cover are packed in a poly-bag with printed catalog number, compliances and installation instructions

COMPLIANCES

- File E195978

CATALOG #	DESCRIPTION	CUBIC IN. (CM ³)	STD. PKG.	BAR CODE
4-11/16" Exposed Work Covers				
856	1 Decorator device or GFCI	10.3 (168.7)	10	
857	2 Decorator devices or GFCI	10.3 (168.7)	10	
858	1 Toggle Switch and 1 GFCI	10.3 (168.7)	10	
870RAC	1 Toggle Switch	10.3 (168.7)	10	
878	30-50A Receptacle 2.141" Dia.	10.3 (168.7)	10	
887	20A Receptacle 1.594" Dia.	10.3 (168.7)	10	
888	30-60A Receptacle 2.625" Dia.	10.3 (168.7)	10	
959	1 Duplex and 1 GFCI	10.3 (168.7)	10	
972	1 Duplex Receptacle	10.3 (168.7)	10	
979	2 Duplex Receptacles	10.3 (168.7)	10	
881RAC	2 Toggle Switches	10.3 (168.7)	10	
876	1 Toggle Switch and 1 Duplex Receptacle	10.3 (168.7)	10	

LIFE SAFETY SUPPORT PRODUCTS - IMMEDIATE IDENTIFICATION



CAT. #	DESCRIPTION	CUBIC INCHES (CM ³)	KNOCKOUTS		STD. PKG.	BAR CODE
			SIDES CONDUIT	BOTTOM CONDUIT		
Life Safety Steel Wall Boxes and Extension Rings – Painted Red						
911-9	1-1/2" Depth, Welded, 4" Square	21.0 (344.1)	(8) 1/2", (4) TKO	(2) 1/2", 2 TKO	50	—
911-6	1-1/2" Depth, 4" Square, Drawn Extension Ring	22.5 (368.7)	(8) 1/2", (4) 3/4"	—	50	—
911-12	2-1/8" Depth, Welded, 4-11/16" Square	42.0 (688.2)	(12) TKO	(1) 1/2", (3) TKO	25	—
911-3	2-1/8" Depth, Welded, 4" Square	30.3 (496.5)	(8) 1/2", (4) TKO	(3) 1/2", 2 TKO	25	—
911-4	2-1/8" Depth, Welded, 4" Square, FM Bracket	30.3 (496.5)	(6) 1/2", (3) TKO	(3) 1/2", 2 TKO	25	—
911-15	3-1/4" Depth Back Box, Welded, 4-11/16" Square	66.7 (1093.0)	(2) 1/2" - 3/4" TKO, (2) 1" - 1-1/4" TKO, (2) 1" - 2" Conc. KO	(2) 3/4" - 1" TKO, (2) 1/2" KO	10	—
911-2	3-1/2" Depth, Welded, 3-3/4" Square	45.0 (737.4)	(12) 1/2"-3/4" Concentric	(4) 1/2"-3/4" Concentric	25	—
911-1	3-1/2" Depth, Welded, 3-3/4" Square, FM Bracket	45.0 (737.4)	(10) 1/2"-3/4" Concentric	(4) 1/2"-3/4" Concentric	10	—

APPLICATIONS

- RACO® Red boxes and covers allow inspector or building owner to immediately identify alarm/fire or life safety systems

PRODUCT FEATURES

- 911-2, 911-1 boxes have 3-3/4" opening in wall that allows for a margin of error when using a standard 4" square cover
- 911-15 accepts all 4-11/16" square covers and mudrings

COMPLIANCES

- File E195978
- LISTED (911-15 only)
LISTED - UL E195978



LIFE SAFETY SUPPORT PRODUCTS - IMMEDIATE IDENTIFICATION



911-16, 911-17



855, 859



911-8



911-11

APPLICATIONS

- RACO® Red boxes and covers allow inspector or building owner to immediately identify alarm/fire or life safety systems

PRODUCT FEATURES

- Red boxes, covers and extensions for dedicated life safety alarm circuits

COMPLIANCES

- LISTED LISTED - UL E195978

CATALOG #	DESCRIPTION	CUBIC IN. (CM ³)	STD. PKG.	BAR CODE
Life Safety Steel Wall Boxes Covers				
911-16	4-11/16" Sq. x 4" Sq. Adapter, 5/8" Raised, Painted Red	8.3 (136.0)	25	—
911-17	4-11/16" Sq. x 4" Sq. Adapter, 1-1/4" Raised, Painted Red	16.0 (262.0)	12	—
855	4-11/16" Sq. x 4" Sq. Adapter, 5/8" Raised	8.3 (136.0)	25	—
859	4-11/16" Sq. x 4" Sq. Adapter, 1-1/4" Raised	16.0 (262.0)	12	—
911-8	4" Sq., Flat Blank Cover, Painted Red	—	50	—
911-11	4-11/16" Sq., Flat Blank Cover, Painted Red	—	50	—

APPLICATIONS

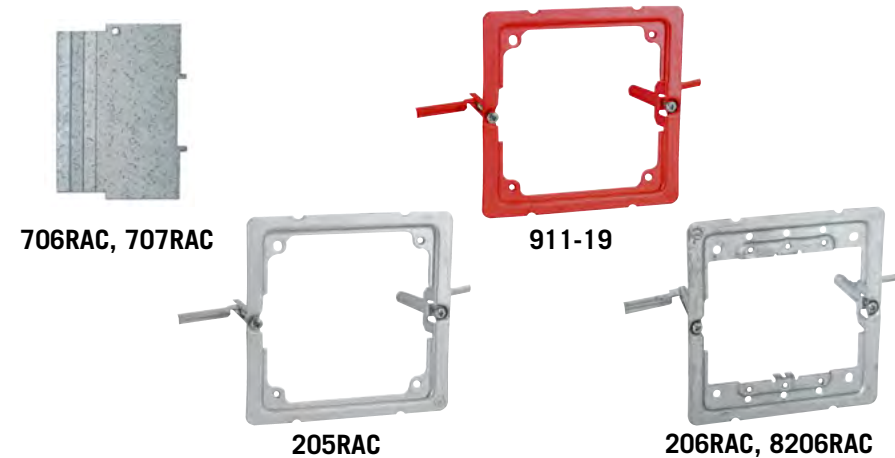
- Low voltage partitions may be added to conduit-type boxes to divide power from voice/data
- Partitions must be used with raised covers
- RACO® RETRO-RING® is used to position any depth, 4" square steel junction box in a sheet rock covered wall cavity
- Use 205RAC is used in old work life safety appliance installations
- 206RAC is used in old work installations where one or two devices are required

PRODUCT FEATURES

- RACO® RETRO-RING® works in 3/8" to 1-1/2" thick wall or ceiling applications
- Small footprint is covered by most popular life safety devices
- Steel old work wings allow for secure mounting of box and devices to wall
- Includes one wall template per carton
- 206RAC allows for installation of steel low voltage partition for power/data applications. One or two devices mount directly to 206RAC

COMPLIANCE

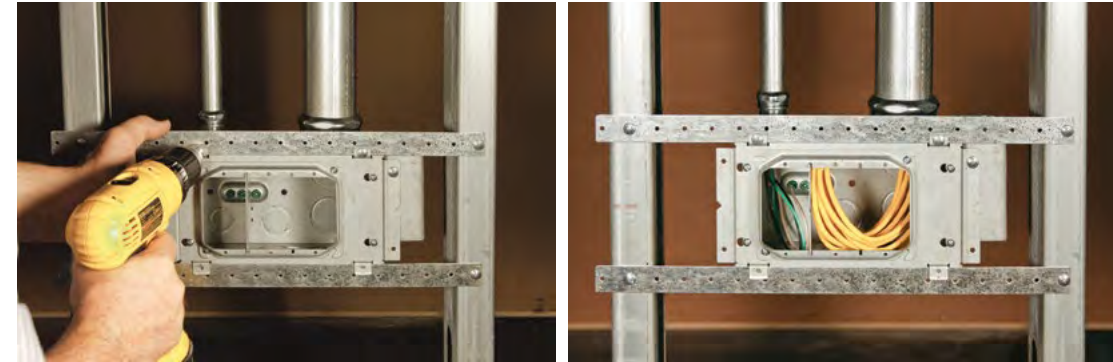
- File E195973



CATALOG #	DESCRIPTION	STD. PKG.	BAR CODE
Low Voltage Box Partition			
706RAC	Box Partition for RETRO-RING® and 1-1/2" Depth, 4" Sq. Box	25	—
707RAC	Box Partition for RETRO-RING® and 2-1/8" Depth, 4" Sq. Box	25	—
Life Safety Steel Wall Box Mounting Brackets			
205RAC	Old Work, 4" Sq. Box Mounting of Life Safety Support	20	—
206RAC	Old Work, 4" Sq. Box Mounting of One or Two Device Applications	20	—
8206RAC	Old Work, 4" Sq. Box Mounting of One or Two Device Applications	10	
911-19	Old Work, 4" Sq. Box Mounting of Life Safety Support, Painted Red	20	—

**Low voltage partitions are not UL Listed
Boxes, covers, and partitions must be ordered separately.
Partitions are usable but not UL listed for 4-11/16" sq. box.*

LARGE CAPACITY BOXES FOR AUDIO, VIDEO, POWER AND DATA



CAT. #	DESCRIPTION	CUBIC INCHES (CM ³)	KNOCKOUTS		STD. PKG.	BAR CODE
			SIDES CONDUIT	BOTTOM CONDUIT		
4-11/16" Large Capacity Steel Wall Boxes, 3-1/4" Deep – Welded with Conduit KO's						
260	Raised Ground	66.7 (1093)	(2) 1/2" - 3/4" TKO, (2) 1" - 1-1/4"TKO, (2) 1" - 2" Conc. KO	(2) 3/4"- 1" TKO, (2) 1/2" KO	10	—
260H	Raised Ground, H Bracket For Side Support	66.7 (1093)	(2) 1/2" - 3/4" TKO, (2) 1" - 1-1/4"TKO, (2) 1" - 2" Conc. KO	(2) 3/4"- 1" TKO, (2) 1/2" KO	10	—
263	Raised Ground	113.3 (1856.6)	(6) 1/2"- 3/4" TKO, (2) 3/4" - 1" TKO, (2) 1" - 1-1/4"TKO, (2) 1" - 2" Conc. KO	(2) 1/2"-3/4" TKO, (2) 3/4"- 1" TKO, (2) 1" - 1-1/4" TKO	6	—
3-3/4" Square Large Capacity Steel Wall Boxes, 3-1/2" Deep – Welded with Conduit KO's						
256	—	45.0 (737.4)	(12) 1/2"-3/4" Concentric	(4) 1/2"-3/4" Concentric	25	
255	FM Bracket	45.0 (737.4)	(10) 1/2"-3/4" Concentric	(4) 1/2"-3/4" Concentric	10	

APPLICATIONS

- RACO® Large capacity boxes are used for audio, video, data and power applications providing ample space for Cat 6A and fiber optic cable bends

260 PRODUCT FEATURES

- Large capacity design measures 4-11/16" H x 4-11/16" W x 3-1/4" D
- Accepts standard 4-11/16" square device and flat covers
- Ground screws provided

263 PRODUCT FEATURES

- Large capacity design measures 4-11/16" H x 7-3/4" W x 3-1/4" D
- Accepts standard 4" square device and flat covers or 792, 793, 794 3-gang device covers
- Built-in tabs allow for spanner bars
- Includes 1/2" thru 2" knockouts
- Accepts 981 voltage partition (UL Listed)
- Ground screws provided

255 AND 256 PRODUCT FEATURES

- Large capacity design measures 3-3/4" H x 3-3/4" W x 3-1/2" D
- Accepts standard 4" square device and flat covers

COMPLIANCE

- LISTED, Outlet Box, 731A

SEE END OF SECTION (PG A78,) FOR DETAILED DRAWINGS >>



SQUARE BOXES AND COVERS

TRANSITION BOX AND COVER

APPLICATIONS

- RACO® AV Wall Boxes provide an ideal solution for in-wall applications requiring data, AV and power
- Perfect for Category 6 and 6A fiber optic cables that require a larger bend radius
- Designed to install independently or ganged together to support multiple devices
- Accommodates industry standard wallplates

PRODUCT FEATURES

- 2-gang or 3-gang
- Knockouts from 1/2" up to 2"
- 4" depth accepts any device
- Concentric 1/2"-3/4" knockouts for pre-connectorized AV cables
- Eccentric 1/2"- 3/4" knockouts
- Raised ground provision in each gang
- Accepts low voltage partition
- NEMA spaced device mounting, accepts industry standard wallplates
- Adjustable stud mounting brackets built in to accommodate different stud and sheetrock thickness
- Adjustable far side support
- Suitable for masonry application

COMPLIANCE

- cULus Listed

APPLICATIONS

- RACO® Large capacity boxes are used for audio, video, data and power applications providing ample space for Cat 6A and fiber optic cable bends
- 792, 793 and 794 covers are solely for RACO® 263 data box. The 3-gang raised covers are 5/8", 3/4" and 1-1/4" raised respectively
- 855 is designed to reduce 4-11/16" square box to 4" sq. box openings

PRODUCT FEATURES

- Use with standard 4" square single or double mudrings or 3 gangs special covers (263)
- 855 provides flush mounting of lighting controllers, exit signs and life safety appliances
- Accepts UL Listed Voltage Partition, Cat. No. 981

COMPLIANCE

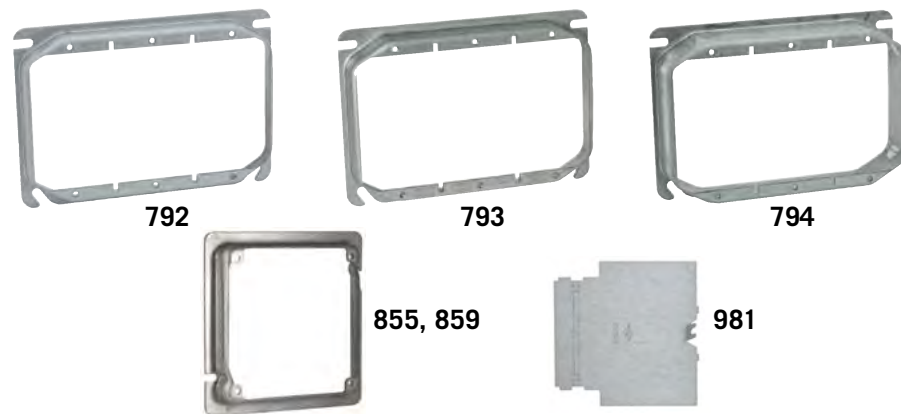
- cULus LISTED, Outlet Box, 731A

AV WALL BOXES



CAT. #	DESCRIPTION	CUBIC INCHES (CM ³)	KNOCKOUTS			STD. PKG.	BAR CODE
			TOP	BOTTOM	BACK		
4" Deep, Gangable AV Wall Boxes – For Data and Power							
985	2-gang, 2" KO	54 (884.9)	(2)1/2", (2)1/2" - 3/4" TKO	(1) 1", 1-1/4", 1-1/2", 2	(2)1/2" - 3/4" TKO	10	IIIIIIII
986	3-gang, 2"	79 (1294.5)	(3)1/2", (3)1/2" - 3/4" TKO	(1)1/2", (1)1/2"-3/4" TKO, (1)1", 1-1/4" - 1-1/2", 2"	(3) 1/2" - 3/4" TKO	6	IIIIIIII
989	Low voltage partition	—	—	—	—	25	IIIIIIII

COVERS AND PARTITIONS FOR LARGE CAPACITY BOXES



CAT. #	DESCRIPTION	CUBIC IN. (CM ³)	FITS CAT. #	STD. PKG.	BAR CODE
3-Gang Raised Device Covers – For 263 Box					
792	5/8" Raised	10.3 (168.8)	263	10	—
793	3/4" Raised	12.7 (208.1)	263	10	—
794	1-1/4" Raised	24.2 (396.6)	263	5	—
2-Gang Raised Device Cover – For 4-11/16" Box					
855	5/8" Raised, For Life Safety Appliances & Emergency Exit Signs	8.3 (136.0)	260 & 911-15	25	—
859	1-1/4" Raised, For Life Safety Appliances & Emergency Exit Signs	16.0 (262.0)	260 & 911-15	12	—
Voltage Partition					
981	For 5/8", 3/4", 1-1/4" covers for 260, 260H, & 263 boxes	—	260 & 263	25	—

DUGOUT TRANSITION BOX



SC082006STRC



Built-in STAB-IT® clamps for MC

CATALOG #	DESCRIPTION	KNOCKOUTS	STAB-IT® CLAMPS	STD. PKG.	BAR CODE
Transition Box with Built-in STAB-IT® Clamps					
SC082006STRC	8" x 20" x 6" Transition Box & Cover	(4)1/2" & 3/4" Concentric	21 (14/2 to 10/3) up to 42 Cables	1	—



STAB-IT Connector

CAT. #	SIZE	STD. PKG.	BAR CODE
STAB-IT® Connector			
989ST	STAB-IT® Connector (accepts 2 cables)	50	—

APPLICATIONS

- RACO's Dugout box offers the quickest and easiest way to transition from flexible armored cable to conduit before entering the circuit panel. Specifically designed for commercial applications, the Dugout box builds on the popular concept of our Grand Slam box. This roomy rectangular model features plenty of space for wiring along with 21 of our built-in STAB-IT cable clamps, which hold up to 42 MC cables! Our unique clamps are field-proven to install up to 3X faster than traditional MC connectors. Four concentric knockouts are provided for either 1/2" or 3/4" conduit out to the circuit panel. For wall or ceiling mounting. The Dugout box offers more labor savings and installation flexibility than any other transition box on the market.

PRODUCT FEATURES

- Designed for quick installation of flex, MC, MCI, MCI-A, AC and HCF cable
- STAB-IT® clamp has been tested at over 3X's faster than traditional MC connectors
- Cover included
- Accepts cable sizes from 14/2 up to 10/3 for most cable types
- UL Listed
- Designed and assembled in the USA

COMPLIANCE

- cUL LISTED, Outlet Box, 731A



SQUARE BOXES AND COVERS

CEILING BOXES AND COVERS

GRAND SLAM BOX

Built-in STAB-IT® clamps for MC



APPLICATIONS

- RACO's Grand Slam Box is used to terminate home runs, branch circuits and other electrical wiring. It features RACO's patent-pending built-in STAB-IT® clamps for MC, and is designed specifically for commercial applications.

PRODUCT FEATURES

- Patented STAB-IT® clamp tested at over 3Xs faster than traditional MC connectors
- Use to install flex, MC, MCI, MCI-A, HFC, AC and EMT
- Ground bar included
- Concentric knockouts on side and back for easy access

COMPLIANCE

- LISTED Outlet Box 731A



SC080803STRC



SC121204STRC



SC080803NKSTRC



SC121204NKSTRC

CAT. #	DESCRIPTION	SIZE	KNOCKOUTS	BUILT-IN STAB-IT® CLAMPS	STD. PKG.	CU. IN CAP.	BAR CODE
Grand Slam Box							
SC080803STRC	8" x 8" Junction Box (Surface Cvr. & Grnd. Bar Included)	8" x 8" x 3"	(12) 1/2" & 3/4" Concentric (5) 3/4" & 1" Concentric	4 (14/2 to 10/3) Up to 8 Cables	1	179	—
SC121204STRC	12" x 12" Junction Box (Surface Cvr. & Grnd. Bar Included)	12" x 12" x 4"	(12) 1/2" & 3/4" Concentric (9) 3/4" & 1" Concentric (8) 1" & 1-1/4" Concentric	6 (14/2 to 10/3) Up to 12 Cables	1	546	—
SC080803NKSTRC	8" x 8" Junction Box (Surface Cvr. & Grnd. Bar Included)	8" x 8" x 3"	—	4 (14/2 to 10/3) Up to 8 Cables	1	179	—
SC121204NKSTRC	12" x 12" Junction Box (Surface Cvr. & Grnd. Bar Included)	12" x 12" x 4"	—	6 (14/2 to 10/3) Up to 12 Cables	1	546	—



Flush Mount Cover
(sold separately)



989ST

CAT. #	SIZE	STD. PKG.	BAR CODE
Flush Mount Cover			
SCF0808RC	8" x 8"	1	—
SCF1212RC	12" x 12"	1	—
989ST	STAB-IT® Connector (accepts 2 cables) Works with all Grand Slam boxes	50	—

CEILING FAN AND FIXTURE SUPPORT PRODUCTS



295-1, 295



294-1, 294



296-1, 296



299



GORILLA-RING® 284

APPLICATIONS

- RACO® Ceiling Support Boxes are specifically designed for ceiling fan and ceiling or wall light fixture support per NEC 314.27(C)

PRODUCT FEATURES

- 1/2" side knockouts (294, 294-1, 296, 296-1 and 299)
- No protruding ground screw or fan mounting screws allows easy installation
- #10-32, 1" long ceiling fan screws provided and provision for #8-32 fixture mounting screw (294-1, 294, 296-1, 296 and 299)
- Setback tab allows for easy box installation of different wall thickness (294-1, 294)
- Metal protection plate eliminates debris or damage to wiring
- Easy to follow instructions and mounting hardware included

GORILLA RING® CONCRETE RING APPLICATION

- Concrete rings are used with poured deck (floor) in high-rise construction
- GORILLA RING features mounting screws that allow for safe and secure mounting of any chandeliers, or lighting fixtures 150 lbs. or less
- Double row of KO's allow greater installation flexibility with a minimum of bends or offsets for working around reinforcing rods

COMPLIANCE

- LISTED, File E195978



CAT. #	DESCRIPTION	CUBIC INCHES (CM³)	KNOCKOUTS			RECOMMENDED MAX. LOADS		STD. PKG.	BAR CODE
			CABLE PRIORTS	SIDES CONDUIT	BOTTOM CONDUIT	CEILING FAN (DYNAMIC) LBS.	FIXTURE (STATIC) LBS.		
4" Round Ceiling Fan Pan — Drawn with Conduit KO's									
295-1	1/2" Depth	6.0 (99.2)	INSIDER	—	(5) 1/2"	70	150	10	—
295*	1/2" Depth	6.0 (99.2)	INSIDER	—	(5) 1/2"	70	150	10	IIIIIIII
4" Round Ceiling Box — Drawn with Conduit KO's									
294-1	2-1/8" Depth, Old and New Work	22.3 (365.4)	INSIDER	(2) 1/2"	(1) 1/2"	70	70/150**	10	—
294*	2-1/8" Depth, Old and New Work	22.3 (365.4)	INSIDER	(2) 1/2"	(1) 1/2"	70	70/150**	10	IIIIIIII
296-1	1-1/2" Depth	15.8 (258.9)	INSIDER	(2) 1/2"	(3) 1/2"	70	150	20	—
296*	1-1/2" Depth	15.8 (258.9)	INSIDER	(2) 1/2"	(3) 1/2"	70	150	8	IIIIIIII
299*	2-1/8" Depth	22.4 (367.1)	INSIDER	(2) 1/2"	(3) 1/2"	70	150	6	IIIIIIII
GORILLA-RING® — Concrete Ring for Ceiling Fan Support									
284	4" Deep, Double Row Side Knockouts	49.3 (807.9)	—	(4) 3/4" (6) 1/2"	—	70	150	6	—

* Packaged in a stackable, individual chipboard display cartons. Sold in master carton quantities only. Hubbell® RACO® does not break carton quantities on these items.

4714, THE INSIDER® will secure nonmetallic sheathed cable in 1/2" KO (See pg. B75).

** New work applications rated at 150 lbs. Old work applications rated at 70 lbs.

SEE END OF SECTION (PG A79) FOR DETAILED DRAWINGS >>



CEILING FAN AND FIXTURE SUPPORT PRODUCTS

APPLICATIONS

- RACO® KWIK-BRACE® is a heavy-duty ceiling fan brace designed for new or existing construction where joists are accessible
- RACO® RETRO-BRACE® is intended for installations of heavy lighting fixtures or ceiling paddle fans in old work or new work applications

PRODUCT FEATURES

- KWIK-BRACE®
 - Slides apart to accommodate joist spacing from 16" to 24", screws provided
 - #10-32 ceiling fan screws provided and #8-32 ceiling fixture mounting provisions
 - Metal protection plate included
 - Nail spurs for easy brace positioning
 - Easy installation, up front ground screws
 - Easy to follow instructions and mounting hardware included
- RETRO-BRACE®
 - Adjustable for joist spacing from 16" to 24"
 - Simple "tool free" expansion
 - Easy installation, up front ground screw
 - #10-32 ceiling fan screws provided and #8-32 ceiling fixture mounting provisions
 - Easy to follow instructions and mounting hardware included

COMPLIANCE

- cULus LISTED File E195978



926, 926-1



936



937



939

CAT. #	DESCRIPTION	CUBIC INCHES (CM ³)	KNOCKOUTS			RECOMMENDED MAX. LOADS				STD. PKG.	BAR CODE
			CABLE PRIOUTS	SIDES CONDUIT	BOTTOM CONDUIT	CEILING FAN (DYNAMIC) LBS.		FIXTURE (STATIC) LBS.			
						16" JOIST SPAN	24" JOIST SPAN	16" JOIST SPAN	24" JOIST SPAN		
KWIK-BRACE® with Box – New Construction Braces for Lighting Fixtures or Ceiling Fans											
926-1	1-1/2" Depth	15.8 (258.9)	INSIDER	—	(2) 1/2"	70	70	210	90	12	IIIIIIII
926*	1-1/2" Depth	15.8 (258.9)	INSIDER	—	(2) 1/2"	70	70	210	90	6	IIIIIIII
RETRO-BRACE® with Box – Remodeling Kits for Lighting Fixtures or Ceiling Fans											
936*	1-1/2" Depth	15.8 (258.9)	INSIDER	—	(2) 1/2"	70	35	110	50	6	IIIIIIII
937*	2-1/8" Depth	22.4 (367.1)	INSIDER	—	(2) 1/2"	70	35	110	50	4	IIIIIIII
939*	5/8" Depth	6.0 (98.4)	INSIDER	—	(2) 1/2"	70	35	110	50	6	IIIIIIII

* Packaged in a stackable, individual chipboard display cartons. Sold in master carton quantities only. Hubbell® RACO® does not break carton quantities on these items. 4714, THE INSIDER® will secure nonmetallic sheathed cable in 1/2" KO (See pg. B74).

SEE END OF SECTION (PG A79) FOR DETAILED DRAWINGS >>

CEILING FAN AND FIXTURE SUPPORT PRODUCTS



931

APPLICATION

- GRID-BRACE™ ceiling support assembly is specifically designed for ceiling fan or fixture support for suspended ceilings

PRODUCT FEATURES

- Heavy-duty GRID-BRACE™ for 24" spans
- Turnbuckle and 4' chain section provided
- Yoke provided for threaded rod installation
- Mount box anywhere on sliding bracket
- Spacers provided for decorative ceiling tiles that are below the depth of metal grid for flush mounting of box
- #10-32 grade 5, 1" ceiling fan screws included
- Easy to follow instructions included

COMPLIANCE

- cULus LISTED File E195978

CAT. #	DESCRIPTION	CUBIC INCHES (CM ³)	KNOCKOUTS		RECOMMENDED MAX. LOADS		STD. PKG.	BAR CODE
			SIDES	BOTTOM CONDUIT	CEILING FAN (DYNAMIC) LBS.	FIXTURE (STATIC) LBS.		
GRID-BRACE™ For Suspended Ceilings, 2-1/8" Deep								
931	Ceiling Fan Support for Suspended Ceilings	22.3 (365.4)	(2) 1/2"	(2) Conc. 1/2" & 3/4"	70	70	4	IIIIIIII

CEILING PANS



292, 8292



287



293, 8293

APPLICATION

- RACO® Ceiling Pans are used in the installation of ceiling or wall lighting fixtures

PRODUCT FEATURES

- Combination screw heads provide for faster installation

COMPLIANCE

- cUL File E195978

CAT. #	DESCRIPTION	CUBIC INCHES (CM ³)	KNOCKOUTS			RECOMMENDED MAX. LOADS		STD. PKG.	BAR CODE
			CABLE PRIOUTS	SIDES CONDUIT	BOTTOM CONDUIT	CEILING FAN (DYNAMIC) LBS.	FIXTURE (STATIC) LBS.		
3-1/2" Round Ceiling Pan – Drawn with Nonmetallic Sheathed Cable Clamps									
292	1/2" Depth	4.0 (65.5)	4	—	(1) 1/2"	No	50	50	—
8292	1/2" Depth	4.0 (65.5)	4	—	(1) 1/2"	No	50	25	IIIIIIII
287	3/4" Depth	5.0 (81.9)	4	—	(1) 1/2"	No	50	50	—
4" Round Ceiling Pan – Drawn with Conduit KO's									
293	1/2" Depth	6.0 (98.3)	—	—	(5) 1/2"	No	50	50	—
8293	1/2" Depth	6.0 (98.3)	—	—	(5) 1/2"	No	50	30	IIIIIIII

SEE END OF SECTION (PG A79) FOR DETAILED DRAWINGS >>



ROUND OLD WORK PANS

WALL OBSTRUCTION

PERFECT SOLUTION!

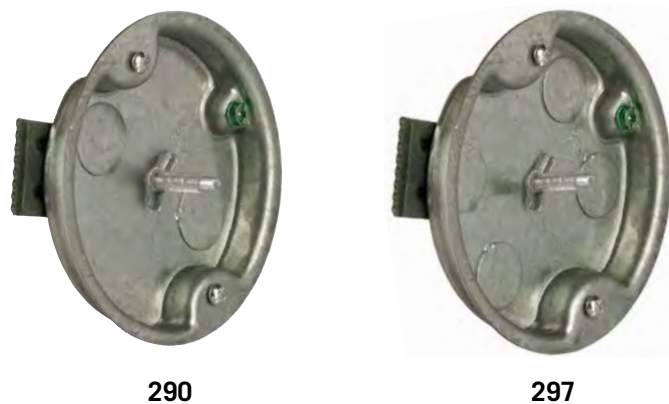
Old Work Bracket

Fitting not included

- APPLICATIONS**
- Shallow old work pan design is ideal for mounting fixtures in existing walls or ceilings with obstructions that limit depth

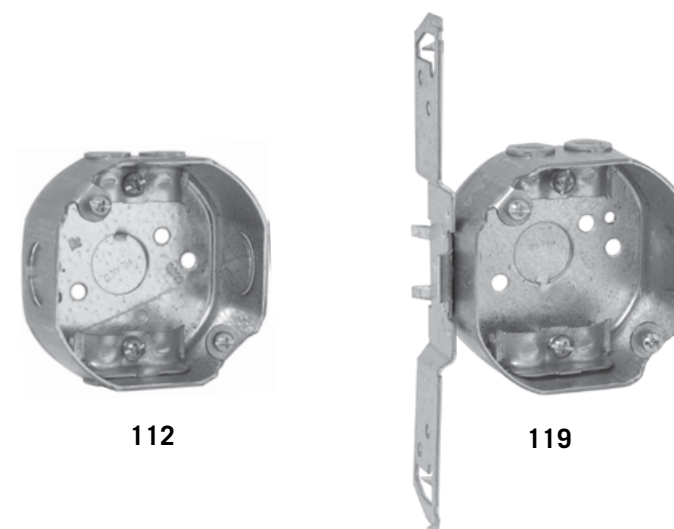
- PRODUCT FEATURES**
- Ideal pans for remodeling, two sizes
 - Only 1/2" deep
 - Flange and bracket mounts to 1/2" or 5/8" drywall without stud

- COMPLIANCE**
- LISTED File E195978



CAT. #	DESCRIPTION	CUBIC INCHES (CM ³)	KNOCKOUTS	STD. PKG.	RECOMMENDED MAX. SUPPORT LOADS (FIXTURE)	BAR CODE
Round, Old Work Pans – For Mounting Fixtures						
290	3-1/2" Old Work Pan Box	3.8 (98.0)	2, 1/2"	10	6 Lbs.	
297	4" Old Work Pan Box	6.0 (98.4)	4, 1/2"	10	6 Lbs.	

3-1/2" OCTAGON BOXES – DRAWN



- APPLICATIONS**
- RACO® Octagon Boxes are used in the installation of ceiling or wall lighting fixtures
- PRODUCT FEATURES**
- Combination screw heads provide for faster installation
 - Reference the Box Selection section in the front of this catalog for complete description of bracket types and features. Reference Table A7 for cable ranges
- COMPLIANCE**
- File E195978

CAT. #	DESCRIPTION	CUBIC INCHES (CM ³)	KNOCKOUTS			RECOMMENDED MAX. LOADS		STD. PKG.	BAR CODE
			CABLE PRIOUTS	SIDES CONDUIT	BOTTOM CONDUIT	CEILING FAN (DYNAMIC) LBS.	FIXTURE (STATIC) LBS.		
3-1/2" Octagon Box, 1-1/2" Deep – Drawn with Nonmetallic Sheathed Cable Clamps									
112	—	11.8 (193.4)	4	(2) 1/2"	(1) 1/2"	No	50	25	
119	TS Bracket, 1/2"	11.8 (193.4)	4	(1) 1/2"	(1) 1/2"	No	50	25	



- APPLICATIONS**
- RACO® Octagon Boxes are used in the installation of ceiling or wall lighting fixtures
 - Extension rings provide a means for adding additional cubic capacity or as an outlet box for surface conduit
- PRODUCT FEATURES**
- Combination screw heads provide for faster installation
- COMPLIANCE**
- File E195978



CAT. #	DESCRIPTION	CUBIC INCHES (CM ³)	KNOCKOUTS			RECOMMENDED MAX. LOADS		STD. PKG.	BAR CODE
			CABLE PRIOUTS	SIDES CONDUIT	BOTTOM CONDUIT	CEILING FAN (DYNAMIC) LBS.	FIXTURE (STATIC) LBS.		
3-1/2" Octagon Box, 1-1/2" Deep – Drawn with Conduit KO's									
110	—	11.8 (193.4)	—	(4) 1/2"	(1) 1/2"	No	50	25	
3-1/2" Octagon Extension Ring, 1-1/2" Deep – Drawn with Conduit KO's									
111	—	11.8 (193.4)	—	(4) 1/2"	—	No	—	25	



4" OCTAGON BOXES AND EXTENSION RINGS – DRAWN WITH CONDUIT KO'S

APPLICATIONS

- RACO® Octagon Boxes are used in the installation of ceiling or wall lighting fixtures
- Extension rings provide a means for adding additional cubic capacity or as an outlet box for surface conduit

PRODUCT FEATURES

- Combination screw heads provide for faster installation
- Reference the Box Selection section in the front of this catalog for complete description of bracket types and features
- Fixture bar hanger allows box to be located anywhere along length of bar

COMPLIANCES

- File E195978
- File LR-1082 (128, 130, 131RAC)



CAT. #	DESCRIPTION	CUBIC INCHES (CM ³)	KNOCKOUTS		RECOMMENDED MAX. LOADS		STD. PKG.	BAR CODE
			SIDES CONDUIT	BOTTOM CONDUIT	CEILING FAN (DYNAMIC) LBS.	FIXTURE (STATIC) LBS.		
4" Octagon Box, 1-1/2" Deep – Drawn with Conduit KO's								
125	—	15.5 (254.0)	(4) 1/2"	(5) 1/2"	No	50	50	—
8125	Raised Ground	15.5 (254.0)	(4) 1/2"	(4) 1/2"	No	50	50	
126	Raised Ground	15.5 (254.0)	(4) 3/4"	(2) 1/2", (2) 3/4"	No	50	50	
127	Raised Ground	15.5 (254.0)	(2) 1/2", (2) 3/4"	(2) 1/2", (2) 3/4"	No	50	25	
127TS	Raised Ground, TS Bracket, 1/2" Setback	15.5 (254.0)	(1) 1/2", (2) 3/4"	(2) 1/2", (2) 3/4"	No	50	25	
158	J Bracket, 3/8" or 1/2" Setback	15.5 (254.0)	(4) 1/2"	(5) 1/2"	No	50	50	
161	TS Bracket, 1/2" Setback	15.5 (254.0)	(3) 1/2"	(5) 1/2"	No	50	25	
161SP	TS Bracket, 1/2" Setback	15.5 (254.0)	(3) 1/2"	(5) 1/2"	No	50	12	
324	Raised Ground, Box with 14-1/4" to 22-1/2" Bar Hanger	15.5 (254.0)	(4) 1/2"	(3) 1/2"	No	10*	25	
4" Octagon Extension Rings, 1-1/2" Deep – Drawn with Conduit KO's								
128	—	15.5 (254.0)	(4) 1/2"	—	No	50	25	
130	—	15.5 (254.0)	(2) 1/2", (2) 3/4"	—	No	50	25	
131RAC	—	15.5 (254.0)	(4) 3/4"	—	No	50	25	

* 10 lbs max. load recommended. UL Rated for 50 lbs on 16" centers.

SEE END OF SECTION (PG A80) FOR DETAILED DRAWINGS >>



4" OCTAGON DEEP BOXES – DRAWN WITH CONDUIT KO'S

APPLICATIONS

- RACO® Octagon Boxes are used in the installation of ceiling or wall lighting fixtures

PRODUCT FEATURES

- Combination screw heads provide for faster installation
- Reference the Box Selection section in the front of this catalog for complete description of bracket types and features

COMPLIANCE

- File E195978



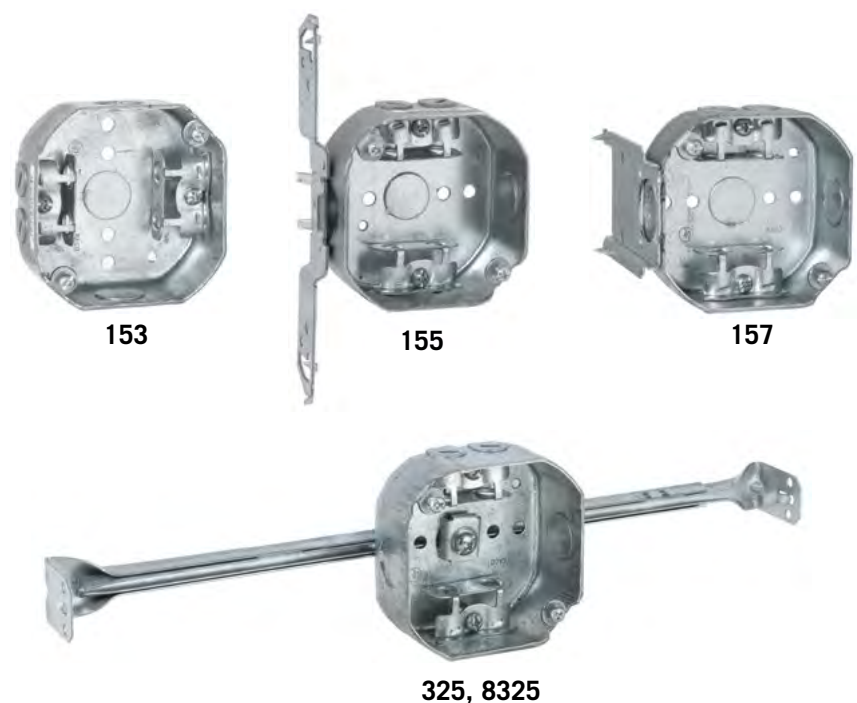
CAT. #	DESCRIPTION	CUBIC INCHES (CM ³)	KNOCKOUTS		RECOMMENDED MAX. LOADS		STD. PKG.	BAR CODE
			SIDES CONDUIT	BOTTOM CONDUIT	CEILING FAN (DYNAMIC) LBS.	FIXTURE (STATIC) LBS.		
4" Octagon Box, 2-1/8" Deep – Drawn with Conduit KO's								
165	—	21.5 (352.3)	(4) 1/2"	(5) 1/2"	No	50	50	
166	—	21.5 (352.3)	(4) 3/4"	(3) 1/2", (2) 3/4"	No	50	50	—
167	—	21.5 (352.3)	(2) 1/2", (2) 3/4"	(3) 1/2", (2) 3/4"	No	50	25	—
167TS	TS Bracket, 1/2" Setback	21.5 (352.3)	(1) 1/2", (2) 3/4"	(3) 1/2", (2) 3/4"	No	50	25	—

SEE END OF SECTION (PG A80) FOR DETAILED DRAWINGS >>





4" OCTAGON BOXES – DRAWN WITH ARMORED CABLE / METAL CLAD / FLEX CLAMPS



APPLICATIONS

- RACO® Octagon Boxes are used in the installation of ceiling or wall lighting fixtures

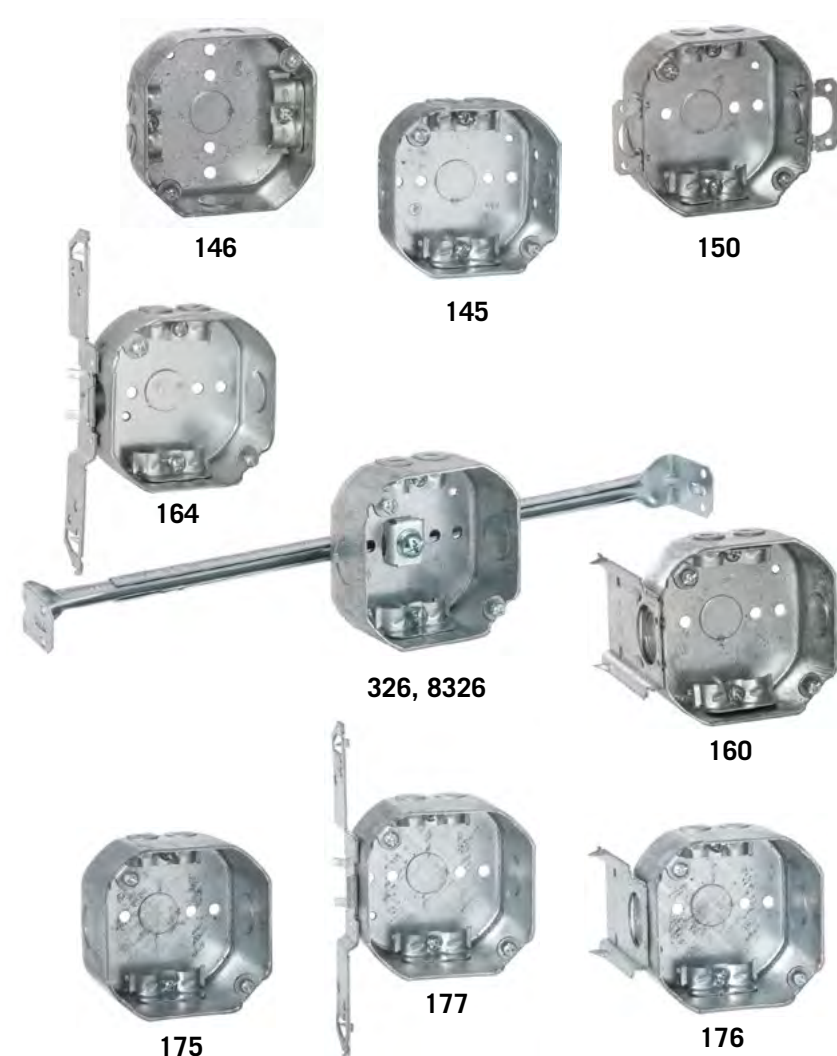
PRODUCT FEATURES

- RACO® offers a variety of labor saving mounting brackets that allow for easy positioning of box along studs or joists
- Reference the Box Selection section in the front of this catalog for complete description of bracket types and features
- Fixture bar hanger allows box to be located anywhere along length of bar

COMPLIANCE

- File E195978

4" OCTAGON BOXES – DRAWN WITH NONMETALLIC SHEATHED CABLE CLAMPS



APPLICATIONS

- RACO® Octagon Boxes are used in the installation of ceiling or wall lighting fixtures

PRODUCT FEATURES

- RACO® offers a variety of labor saving mounting brackets that allow for easy positioning of box along studs or joists
- Reference the Box Selection section in the front of this catalog for complete description of bracket types and features
- Fixture bar hanger allows box to be located anywhere along length of bar
- Combination screw heads provide for faster installation

COMPLIANCE

- File E195978

CAT. #	DESCRIPTION	CUBIC INCHES (CM ³)	KNOCKOUTS			RECOMMENDED MAX. LOADS		STD. PKG.	BAR CODE
			CABLE PRIOUTS	SIDES CONDUIT	BOTTOM CONDUIT	CEILING FAN (DYNAMIC) LBS.	FIXTURE (STATIC) LBS.		
4" Octagon Box, 1-1/2" Deep – Drawn with Armored Cable/Metal Clad/Flex Clamps									
153	—	15.5 (254.0)	4	(2) 1/2"	(1) 1/2"	No	50	25	
155	TS Bracket, 1/2" Setback	15.5 (254.0)	4	(1) 1/2"	(1) 1/2"	No	50	50	
157	J Bracket, 3/8" or 1/2" Setback	15.5 (254.0)	4	(2) 1/2"	(1) 1/2"	No	50	50	
325	Box with 14-1/4" to 22-1/2" bar hanger	15.5 (254.0)	4	(2) 1/2"	—	No	10*	25	—
8325	Box with 14-1/4" to 22-1/2" bar hanger	15.5 (254.0)	4	(2) 1/2"	—	No	10*	25	

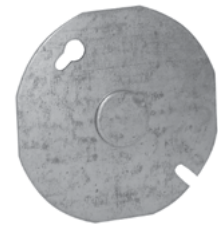
* 10 lbs max. load recommended. UL Rated for 50 lbs on 16" centers.

CAT. #	DESCRIPTION	CUBIC INCHES (CM ³)	KNOCKOUTS			RECOMMENDED MAX. LOADS		STD. PKG.	BAR CODE
			CABLE PRIOUTS	SIDES CONDUIT	BOTTOM CONDUIT	CEILING FAN (DYNAMIC) LBS.	FIXTURE (STATIC) LBS.		
4" Octagon Box, 1-1/2" Deep – Drawn with Nonmetallic Sheathed Cable Clamps									
146	—	15.5 (254.0)	4	(2) 1/2"	(1) 1/2"	No	50	25	
145	Side holes, 1/8" and 1/4"	15.5 (254.0)	4	(2) 1/2"	(1) 1/2"	No	50	50	—
150	Plaster Ears	15.5 (254.0)	4	(2) 1/2"	(1) 1/2"	No	50	25	
160	J Bracket, 3/8" or 1/2" Setback	15.5 (254.0)	4	(2) 1/2"	(1) 1/2"	No	50	25	
164	TS Bracket, 1/2" Setback	15.5 (254.0)	4	(1) 1/2"	(1) 1/2"	No	50	25	
326	Box with 14-1/4" to 22-1/2" bar hanger	15.5 (254.0)	4	(2) 1/2"	—	No	10*	25	—
8326	Box with 14-1/4" to 22-1/2" bar hanger	15.5 (254.0)	4	(2) 1/2"	—	No	10*	25	
4" Octagon Box, 2-1/8" Deep – Drawn with Nonmetallic Sheathed Cable Clamps									
175	—	21.5 (352.3)	4	(2) 1/2"	(1) 1/2"	No	50	25	
176	J Bracket, 5/8" Setback	21.5 (352.3)	4	(2) 1/2"	(1) 1/2"	No	50	25	
177	TS Bracket, 1/2" Setback	21.5 (352.3)	4	(1) 1/2"	(1) 1/2"	No	50	25	—

* 10 lbs max. load recommended. UL Rated for 50 lbs on 16" centers.



ROUND COVERS FOR 3-1/2" AND 4" OCTAGON BOXES



703, 8703-5



894KH



727, 732, 737

APPLICATION

- Covers are used to close an outlet box
- Raised covers are used for mounting lighting fixtures

PRODUCT FEATURES

- Combination screw heads provide for faster installation
- Swivel cover restricted to 20° swing from vertical
- KWIK-HANG® allows easy installation of high bay lighting fixtures. Fixture rests in position while wiring is completed

COMPLIANCES

- File E195978
- File LR-1082 (722, 729, 731)

CAT. #	DESCRIPTION	CUBIC INCHES (CM ³)	RECOMMENDED MAX. LOADS		STD. PKG.	BAR CODE
			CEILING FAN (DYNAMIC) LBS.	FIXTURE (STATIC) LBS.		
3-1/2" Round Cover						
703	Flat, 1/2" KO In Center	—	No	—	25	
8703-5*	Flat, 1/2" KO In Center	—	No	—	50	
3-1/2" or 4" Swivel Fixture, Support Covers						
894KH	Kwik-Hang®, For 4" Octagon Boxes, 1/2" or 3/4" Conduit	—	No	50	25	
4" Round Raised Cover						
737	Raised 1/2", Open, Ears 2-3/4" O.C.	3.3 (54.1)	No	50	25	
727	Raised 5/8", Open, Ears 2-3/4" O.C.	3.8 (62.2)	No	50	25	
732	Raised 1", Open, Ears 2-3/4" O.C.	6.5 (106.5)	No	50	25	—

*5 Bundles of 10 – sold in carton quantities only

OCTAGON AND ROUND COVERS



722, 8722-5



724, 8724-5



725



729



731, 8731-5



5652-1



5653-1



5654-1

CATALOG #	DESCRIPTION	PKG. TYPE	STD. PKG.	BAR CODE
4" Octagon and Round Covers				
722	Flat, blank	—	50	
8722-5*	Flat, blank	—	50	
724	Flat, 1/2" KO	—	25	
8724-5*	Flat, 1/2" KO	—	50	
725	Flat, 3/4" KO	—	25	
729	Flat, toggle switch	—	50	
731	Flat, duplex receptacle	—	25	
8731-5*	Flat, duplex receptacle	—	50	
5" Round Steel Closure Plates				
5652-1	Off-white, screw and universal mount strap	Shrink	10	—
5653-1	Off-white, (2) 8-32 screws, direct mount to fixture outlet box	Shrink	10	—
5654-1	Off-white, fixture stud and universal mount strap	Shrink	10	—

*5 Bundles of 10 – sold in carton quantities only

APPLICATIONS

- Covers are used to close an outlet box
- Switches or receptacles may be installed into octagon boxes by using covers 729 or 731

PRODUCT FEATURES

- 5" round covers feature state-of-the-art powder coat paint finish which provides a light texture finish and scratch resistance

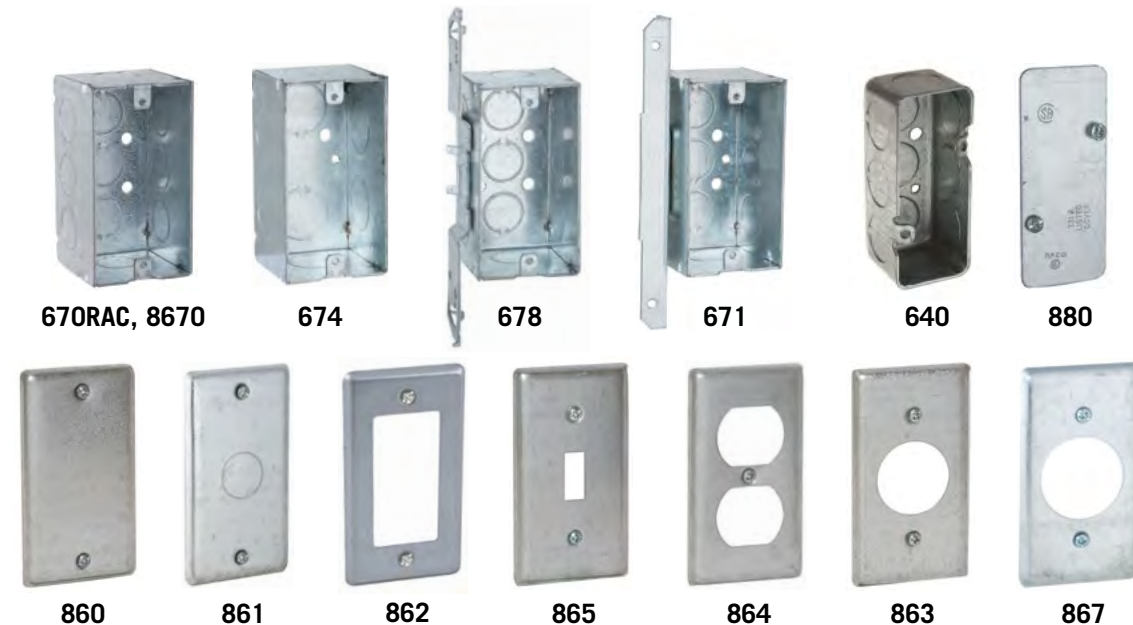
COMPLIANCES

- File E195978
- File LR-1082 (722, 729, 731)



SINGLE DEVICE HANDY BOXES AND EXTENSION RINGS

SINGLE DEVICE HANDY BOXES AND COVERS



APPLICATIONS

- RACO® Handy boxes, also called utility boxes, are used for convenience outlets, switch boxes or small junction boxes
- They are popular for exposed work applications (surface mounted wiring)
- The NEC requires that surface-mounted wiring be enclosed with a protective covering such as EMT conduit

PRODUCT FEATURES

- Reference the Box Selection section in the front of this catalog for complete description of bracket types and features

COMPLIANCES

- File E195978
- File LR-1082 (611 and 650CSA only)
- (665 only)
- All RACO UL listed steel boxes are acceptable for use in 2 hr. fire rated floor-ceiling and roof-ceiling assemblies, as well as 2 hr. fire rated bearing and non-bearing wood stud and steel stud walls. For additional information consult Fire Resistance Ratings ANSI/UL 263, Sec. III-6.

CAT. #	DESCRIPTION	CUBIC INCHES (CM ³)	KNOCKOUTS			STD. PKG.	BAR CODE
			SIDES CONDUIT	ENDS CONDUIT	BOTTOM CONDUIT		
4" x 2" Handy Boxes, 1-1/2" Deep – Welded with Conduit KO's							
650	—	11.5 (188.5)	(6) 1/2"	(2) 1/2"	(3) 1/2"	50	—
8650	—	11.5 (188.5)	(6) 1/2"	(2) 1/2"	(3) 1/2"	25	
650CSA	With Ground Screw Driven	11.5 (188.5)	(6) 1/2"	(2) 1/2"	(3) 1/2"	50	—
655	B Bracket, 1/4" Setback	11.5 (188.5)	(3) 1/2"	(2) 1/2"	(3) 1/2"	50	—
4" x 2" Handy Box Extension Rings, 1-1/2" Deep – Welded with Conduit KO's							
653	—	11.5 (188.5)	(6) 1/2"	(2) 1/2"	—	25	
4" x 2" Handy Boxes, 1-7/8" Deep – Drawn with Conduit KO's							
660	Raised Ground	13.0 (213.0)	(6) 1/2"	(2) 1/2"	(2) 1/2"	50	—
8660	Raised Ground	13.0 (213.0)	(6) 1/2"	(2) 1/2"	(2) 1/2"	50	
611	Raised Ground, With Ground Screw Driven	13.0 (213.0)	(6) 1/2"	(2) 1/2"	(2) 1/2"	50	—
661	Raised Ground, A Bracket, 5/8" Setback	13.0 (213.0)	(3) 1/2"	(2) 1/2"	(3) 1/2"	25	
661SP	Raised Ground, A Bracket, 5/8" Setback	13.0 (213.0)	(3) 1/2"	(2) 1/2"	(3) 1/2"	18	
662	Raised Ground, TS Bracket, 1/2" Setback	13.0 (213.0)	(3) 1/2"	(2) 1/2"	(3) 1/2"	25	
662SP	Raised Ground, TS Bracket, 1/2" Setback	13.0 (213.0)	(3) 1/2"	(2) 1/2"	(3) 1/2"	18	
663	Raised Ground	13.0 (213.0)	(4) 3/4"	(2) 3/4"	(1) 3/4"	50	—
8663	Raised Ground, 1-7/8" Depth (inside),	13.0 (213.0)	(4) 3/4"	(2) 3/4"	(1) 3/4"	25	
666	Raised Ground	13.0 (213.0)	(6) 1/2"	(1) 1/2" (1) 3/4"	—	50	—
4" x 2" Handy Box Extension Rings, 1-7/8" Deep – Drawn with Conduit KO's							
665	—	13.0 (213.0)	(6) 1/2"	(2) 1/2"	—	20	

CAT. #	DESCRIPTION	CUBIC INCHES (CM ³)	KNOCKOUTS			STD. PKG.	BAR CODE
			SIDES CONDUIT	ENDS CONDUIT	BOTTOM CONDUIT		
4" x 2" Handy Boxes, 2-1/8" Deep – Welded with Conduit KO's							
670RAC	—	16.5 (270.4)	(6) 1/2"	(2) 1/2"	(3) 1/2"	50	—
8670	—	16.5 (270.4)	(6) 1/2"	(2) 1/2"	(3) 1/2"	25	
674	—	16.5 (270.4)	(4) 3/4"	(2) 3/4"	(2) 3/4"	50	
678	TS Bracket, 1/2" Setback	16.5 (270.4)	(3) 1/2"	(2) 1/2"	(3) 1/2"	25	
671	A Bracket, 5/8" Setback	16.5 (270.4)	(3) 1/2"	(2) 1/2"	(3) 1/2"	50	
3-3/4" x 1-9/16" Industrial Handy Box and Cover – Drawn with Conduit KO's							
640	1-1/2" Depth	7.3 (119.6)	(6) 1/2"	(2) 1/2"	(3) 1/2"	50	—
880	Blank Cover with Captive Screws	—	—	—	—	50	—

CATALOG #	DESCRIPTION	STD. PKG.	BAR CODE
4" x 2" Handy Box Covers – 2-5/16" Wide x 4-3/16" Length			
860	Blank	25	
861	1/2" KO, Centered	25	
862	GFCI	25	
865	Toggle Switch	25	
864	Duplex Receptacle	25	
863	Single Receptacle, 1.406" Dia.	25	
867	20A Receptacle, 1.594" Dia.	25	

APPLICATIONS

- RACO® Handy boxes, also called utility boxes, are used for convenience outlets, switch boxes or small junction boxes
- They are popular for exposed work applications (surface mounted wiring)
- The NEC requires that surface-mounted wiring be enclosed with a protective covering such as EMT conduit
- RACO® Handy Box covers are used to close a Handy Box
- Covers also may be used as single gang wall plates

PRODUCT FEATURES

- Reference the Box Selection section in the front of this catalog for complete description of bracket types and features
- RACO® Handy Box covers are designed to match the contours of the box
- Cover corners are rounded
- All covers have captive screws

COMPLIANCES

- File E195978
- File LR-1082 (Covers only)
- All RACO UL listed steel boxes are acceptable for use in 2 hr. fire rated floor-ceiling and roof-ceiling assemblies, as well as 2 hr. fire rated bearing and non-bearing wood stud and steel stud walls. For additional information consult Fire Resistance Ratings ANSI/UL 263, Sec. III-6.





TWO DEVICE HANDY / SWITCH BOXES AND COVERS



APPLICATIONS

- Installers can save time and cut installation costs with two gang switch boxes
- Larger capacity boxes are ideal for todays designs where there is a need to install two devices at one location
- Drawn boxes are ideal for exposed work applications (surface mounted wiring)

PRODUCT FEATURES

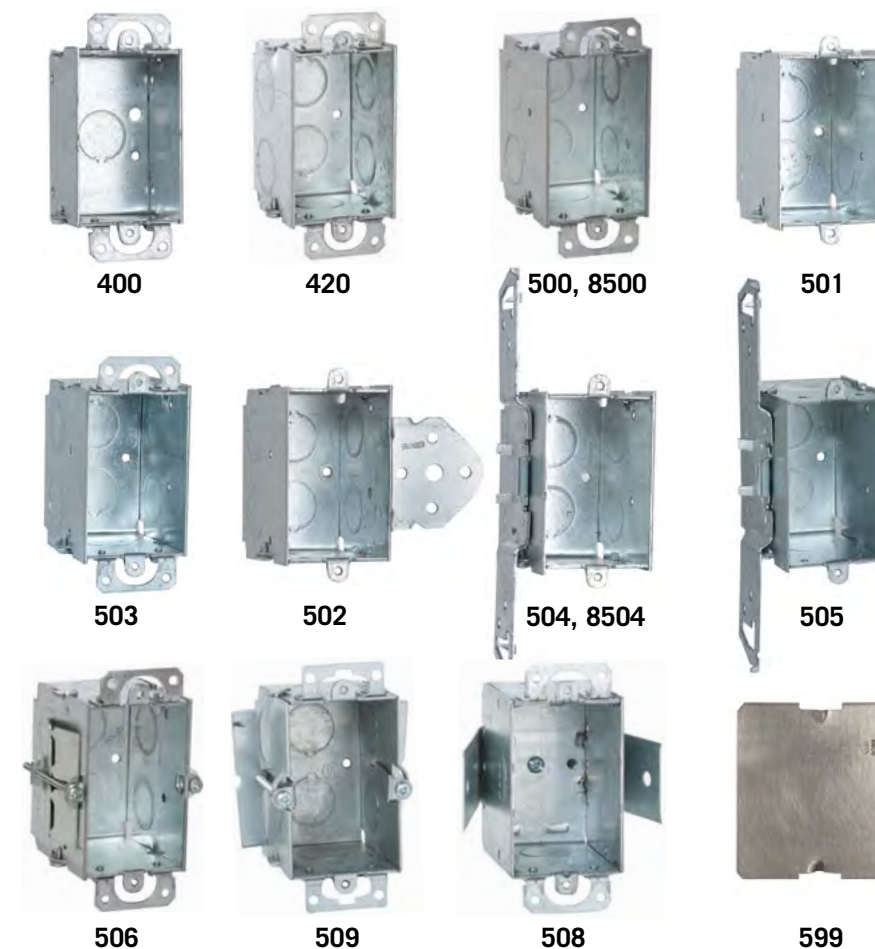
- 681, 685 bracketed boxes are set back 1/2" eliminating the need for a plaster ring
- Reference the Box Selection section in the front of this catalog for complete description of bracket and clamp types and features
- 871, 872 and 873 covers are unpainted and manufactured from pre-galvanized steel

COMPLIANCE

- File E195978
- All RACO UL listed steel boxes are acceptable for use in 2 hr. fire rated floor-ceiling and roof-ceiling assemblies, as well as 2 hr. fire rated bearing and non-bearing wood stud and steel stud walls. For additional information consult Fire Resistance Ratings ANSI/UL 263, Sec. III-6

CAT. #	DESCRIPTION	CUBIC INCHES (CM ³)	KNOCKOUTS		STD. PKG.	BAR CODE
			SIDES CONDUIT	BOTTOM CONDUIT		
4" Square Two Device Switch Boxes, 2-1/8" Deep – Drawn with Conduit KO's						
680	—	30.3 (496.5)	(12) 1/2"	(5) 1/2"	25	
683	—	30.3 (496.5)	(8) 1/2", (4) 3/4"	(3) 1/2", (2) 3/4"	25	
683SP	—	30.3 (496.5)	(8) 1/2", (4) 3/4"	(3) 1/2", (2) 3/4"	10	
681	TS Bracket, 1/2" Setback	30.3 (496.5)	(9) 1/2"	(5) 1/2"	25	
681SP	TS Bracket, 1/2" Setback	30.3 (496.5)	(9) 1/2"	(5) 1/2"	8	
685	TS Bracket, 1/2" Setback	30.3 (496.5)	(6) 3/4"	(3) 1/2", (2) 3/4"	25	
685SP	TS Bracket, 1/2" Setback	30.3 (496.5)	(6) 3/4"	(3) 1/2", (2) 3/4"	8	
4" Square – Two Device Wall Plates						
871	2 Toggle Switches, 1/4" Raised from Surface	—	—	—	25	
872	1 Duplex and 1 Toggle Switch, 1/4" Raised from Surface	—	—	—	25	
873	2 Duplex Receptacles, 1/4" Raised from Surface	—	—	—	25	

3" x 2" SWITCH BOXES – WITH CONDUIT KO'S



APPLICATIONS

- RACO® Switch boxes are used to house wiring devices such as switches or outlets

PRODUCT FEATURES

- Reference the Box Selection section in the front of this catalog for complete description of bracket types and features
- Gangable switch boxes offer the option of constructing a box to hold two or more devices
- Plaster ears allow box to be used in "old work" applications

COMPLIANCE

- File E195978
- All RACO UL listed steel boxes are acceptable for use in 2 hr. fire rated floor-ceiling and roof-ceiling assemblies, as well as 2 hr. fire rated bearing and non-bearing wood stud and steel stud walls. For additional information consult Fire Resistance Ratings ANSI/UL 263, Sec. III-6

CAT. #	DESCRIPTION	CUBIC INCHES (CM ³)	KNOCKOUTS				STD. PKG.	BAR CODE
			SIDES CONDUIT	ENDS CABLE	ENDS CONDUIT	BOTTOM CONDUIT		
1-1/2" Deep Switch Box – Gangable with Conduit KO's								
400	Plaster Ears	7.5 (122.9)	—	—	(2) 1/2"	(1) 1/2"	20	
2" Deep Switch Box – Gangable with Conduit KO's								
420	Plaster Ears	10.0 (163.9)	(4) 1/2"	—	(2) 1/2"	(2) 1/2"	20	
2-1/2" Deep Switch Box – Gangable with Conduit KO's								
500	Plaster Ears	12.5 (204.8)	(4) 1/2"	—	(2) 1/2"	(2) 1/2"	50	—
8500	Plaster Ears	12.5 (204.8)	(4) 1/2"	—	(2) 1/2"	(2) 1/2"	25	
501	No Plaster Ears	12.5 (204.8)	(4) 1/2"	—	(2) 1/2"	(2) 1/2"	50	—
503	Plaster Ears	12.5 (204.8)	(4) 1/2"	—	(2) 3/4"	(2) 1/2"	50	—
502	B Bracket, 5/8" Setback	12.5 (204.8)	(4) 1/2"	—	(2) 1/2"	(2) 1/2"	10	
504	TS Bracket, 1/2" Setback	12.5 (204.8)	(2) 1/2"	—	(2) 1/2"	(2) 1/2"	50	—
8504	TS Bracket, 1/2" Setback	12.5 (204.8)	(2) 1/2"	—	(2) 1/2"	(2) 1/2"	20	
505	TS Bracket, 1/2" Setback	12.5 (204.8)	(2) 1/2"	—	(2) 3/4"	(2) 1/2"	50	—
506	Old Work TIGERGRIP® Plaster Ears	12.5 (204.8)	—	—	(2) 1/2"	(2) 1/2"	16	
509	Old Work, Plaster Ears	12.5 (204.8)	—	—	(2) 1/2"	(2) 1/2"	20	
2-1/2" Deep Switch Box – Nongangable with Conduit KO's								
508	Old Work, 3/4" Sheet Rock Max., Plaster Ears	12.5 (204.8)	—	—	(2) 1/2"	—	20	
2-1/2" Gangable Switch Box Partition – Divides boxes into compartments								
599	For All 2-1/2" Deep Gangable Switch Boxes	—	—	—	—	—	20	





3" x 2" SWITCH BOXES – WITH CONDUIT KO'S

APPLICATIONS

- RACO® Switch boxes are used to house wiring devices such as switches or outlets

PRODUCT FEATURES

- Reference the Box Selection section in the front of this catalog for complete description of bracket types and features
- Gangable switch boxes offer the option of constructing a box to hold two or more devices
- Plaster ears allow box to be used in "old work" applications

COMPLIANCES

- File E195978
- All RACO UL listed steel boxes are acceptable for use in 2 hr. fire rated floor-ceiling and roof-ceiling assemblies, as well as 2 hr. fire rated bearing and non-bearing wood stud and steel stud walls. For additional information consult Fire Resistance Ratings ANSI/UL 263, Sec. III-6

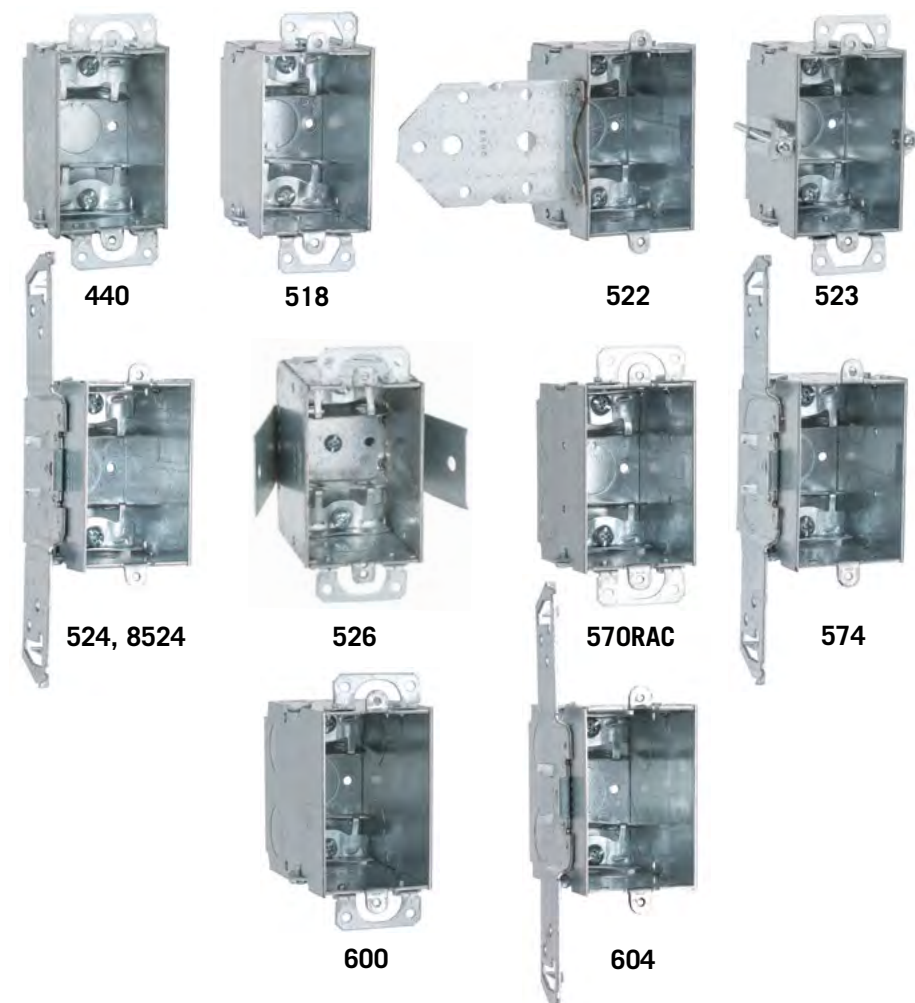


CAT. #	DESCRIPTION	CUBIC INCHES (CM ³)	KNOCKOUTS				STD. PKG.	BAR CODE
			SIDES CONDUIT	ENDS CABLE	ENDS CONDUIT	BOTTOM CONDUIT		
2-3/4" Deep Switch Box – Nongangable with Conduit KO's								
560	Plaster Ears	14.0 (229.4)	(4) 1/2"	—	(2) 1/2"	(2) 1/2"	25	
565	Plaster Ears	14.0 (229.4)	(4) 3/4"	—	(2) 3/4"	(2) 1/2"	50	—
561	No Plaster Ears	14.0 (229.4)	(4) 1/2"	—	(2) 1/2"	(2) 1/2"	50	—
562	TS Bracket, 1/2" Setback	14.0 (229.4)	(2) 1/2"	—	(2) 1/2"	(2) 1/2"	50	—
3-1/2" Deep Switch Box – Gangable with Conduit KO's								
590	Plaster Ears	18.0 (295.0)	(4) 1/2"	—	(4) 1/2"	(1) 1/2"	50	—
8590	Plaster Ears	18.0 (295.0)	(4) 1/2"	—	(4) 1/2"	(1) 1/2"	25	
591	Plaster Ears	18.0 (295.0)	(4) 3/4"	—	(4) 3/4"	(1) 1/2"	50	
592	No Plaster Ears	18.0 (295.0)	(4) 1/2"	—	(4) 1/2"	(1) 1/2"	50	—

SEE END OF SECTION (PG A82) FOR DETAILED DRAWINGS >>



3" x 2" SWITCH BOXES – WITH ARMORED CABLE / METAL CLAD / FLEX CLAMPS



APPLICATIONS

- RACO® Switch boxes are used to house wiring devices such as switches or outlets

PRODUCT FEATURES

- Gangable switch boxes offer the option of constructing a box to hold two or more devices
- Plaster ears allow box to be used in "old work" applications
- Reference the Box Selection section in the front of this catalog for complete description of clamp types and features

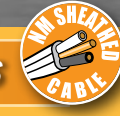
COMPLIANCES

- File E195978
- All RACO UL listed steel boxes are acceptable for use in 2 hr. fire rated floor-ceiling and roof-ceiling assemblies, as well as 2 hr. fire rated bearing and non-bearing wood stud and steel stud walls. For additional information consult Fire Resistance Ratings ANSI/UL 263, Sec. III-6

CAT. #	DESCRIPTION	CUBIC INCHES (CM ³)	KNOCKOUTS				STD. PKG.	BAR CODE
			SIDES CONDUIT	ENDS CABLE	ENDS CONDUIT	BOTTOM CONDUIT		
2" Deep Switch Box – Gangable with Armored Cable/Metal Clad/Flex Clamps								
440	Plaster Ears	10.0 (163.9)	—	4	—	(1) 1/2"	50	—
2-1/2" Deep Switch Box – Gangable with Armored Cable/Metal Clad/Flex Clamps								
518	Plaster Ears	12.5 (204.8)	—	4	—	(1) 1/2"	25	
524	TS Bracket, 1/2" Setback	12.5 (204.8)	—	4	(2) 1/2"	(1) 1/2"	50	—
8524	TS Bracket, 1/2" Setback	12.5 (204.8)	—	4	(2) 1/2"	(1) 1/2"	50	
522	LB Bracket, 5/8" Setback	12.5 (204.8)	—	4	(2) 1/2"	(1) 1/2"	25	
523	Plaster Ears, Old Work, GRIPTITE®	12.5 (204.8)	—	4	—	(1) 1/2"	25	
2-1/2" Deep Switch Box – Nongangable with Armored Cable/Metal Clad/Flex Clamps								
526	Plaster Ears, Old Work, 3/4" Sheet Rock Max.	12.5 (204.8)	—	4	—	—	20	
2-3/4" Deep Switch Box – Gangable with Armored Cable/Metal Clad/Flex Clamps								
570RAC	2-3/4" Depth, Plaster Ears	14.0 (229.4)	(4) 1/2"	4	(2) 1/2"	(1) 1/2"	50	—
574	2-3/4" Depth, TS Bracket, 1/2" Setback	14.0 (229.4)	(2) 1/2"	4	(2) 1/2"	(1) 1/2"	25	
3-1/2" Deep Switch Box – Gangable with Armored Cable/Metal Clad/Flex Clamps								
600	Plaster Ears	18.0 (295.0)	(4) 1/2"	4	(2) 1/2"	(1) 1/2"	25	—
604	TS Bracket, 1/2" Setback	18.0 (295.0)	(4) 1/2"	4	(2) 1/2"	(1) 1/2"	25	

SEE END OF SECTION (PG A82) FOR DETAILED DRAWINGS >>





3" x 2" STAB-IT® SWITCH BOXES – WITH ARMORED CABLE / METAL CLAD / FLEX CLAMPS

APPLICATION

- For any job where flexible armored cable is being used.

PRODUCT FEATURES

- Designed for quick installation of flex, MC, MCI, MCI-A, AC, and HCF Cable
- Accepts cable sizes from 14/2 up to 10/3 for most cable types
- Available in 4" sq. 2-1/8" deep boxes with 1 or 2 STAB-IT connectors
- Each STAB-IT connector accommodates two cables
- Pre-installed 8" solid #12 pigtail for faster installation

COMPLIANCE

- File E195978
- All RACO UL listed steel boxes are acceptable for use in 2 hr. fire rated floor-ceiling and roof-ceiling assemblies, as well as 2 hr. fire rated bearing and non-bearing wood stud and steel stud walls. For additional information consult Fire Resistance Ratings ANSI/UL 263, Sec. III-6



CAT. #	DESCRIPTION	CUBIC INCHES (CM ³)	KNOCKOUTS				STD. PKG.	BAR CODE
			SIDES CONDUIT	ENDS CABLE	ENDS CONDUIT	BOTTOM CONDUIT		
2-1/2" Deep Switch Box STAB-IT Connector								
518S	(1) STAB-IT Connector, Pigtail	12.5 (204.8)	—	—	—	(1) 1/2"	25	
523S	(1) STAB-IT Connector, Old Work Clips, Pigtail	12.5 (204.8)	—	—	—	(1) 1/2"	25	
524S	(1) STAB-IT Connector, TS Bracket, Pigtail	12.5 (204.8)	—	—	—	(1) 1/2"	50	
3-1/2" Deep Switch Box STAB-IT Connector								
618S	(1) STAB-IT Connector, Pigtail	18.0 (295.0)	—	—	—	(1) 1/2"	25	
623S	(1) STAB-IT Connector, Old Work Clips, Pigtail	18.0 (295.0)	—	—	—	(1) 1/2"	25	
624S	(1) STAB-IT Connector, TS Bracket, Pigtail	18.0 (295.0)	—	—	—	(1) 1/2"	25	

3" X 2" SWITCH BOXES – WITH NONMETALLIC SHEATHED CABLE CLAMPS



APPLICATIONS

- RACO® Switch boxes are used to house wiring devices such as switches or outlets

PRODUCT FEATURES

- Beveled corner boxes are designed to prevent the clamp screws from protruding into back wall
- Reference the Box Selection section in the front of this catalog for complete description of bracket types and features
- Gangable switch boxes offer the option of constructing a box to hold two or more devices
- Plaster ears allow box to be used in "old work" applications

COMPLIANCE

- File E195978
- All RACO UL listed steel boxes are acceptable for use in 2 hr. fire rated floor-ceiling and roof-ceiling assemblies, as well as 2 hr. fire rated bearing and non-bearing wood stud and steel stud walls. For additional information consult Fire Resistance Ratings ANSI/UL 263, Sec. III-6

CAT. #	DESCRIPTION	CUBIC INCHES (CM ³)	KNOCKOUTS				STD. PKG.	BAR CODE
			SIDES CONDUIT	ENDS CABLE	ENDS CONDUIT	BOTTOM CONDUIT		
1-1/2" Deep Switch Box – Nongangable with Nonmetallic Sheathed Cable Clamps								
410	Plaster Ears	7.5 (122.9)	—	4	—	—	25	
2" Deep Switch Box – Gangable with Nonmetallic Sheathed Cable Clamps								
445	Plaster Ears	10.0 (163.9)	—	4	—	(1) 1/2"	50	—
2-1/4" Deep Switch Box – Gangable with Nonmetallic Sheathed Cable Clamps								
471	One Screw, Plaster Ears	10.5 (172.1)	—	4	—	(1) 1/2"	25	
473	Level Bumps	10.5 (172.1)	—	4	(2) 1/2"	(1) 1/2"	20	
487	Old Work, TIGERGRIP®	10.5 (172.1)	—	4	—	(1) 1/2"	20	
2-1/2" Deep Switch Box – Nongangable with Nonmetallic Sheathed Cable Clamps								
596	No Plaster Ears	12.5 (204.8)	—	4	(2) 1/2"	—	50	—
545	Plaster Ears, Old Work, 3/4" Sheet Rock Max.	12.5 (204.8)	—	4	(2) 1/2"	—	20	
2-1/2" Deep Switch Box – Gangable with Nonmetallic Sheathed Cable Clamps								
519	Plaster Ears	12.5 (204.8)	—	4	—	(1) 1/2"	25	
528	Level Bumps	12.5 (204.8)	—	4	(2) 1/2"	(1) 1/2"	25	
529	LB Bracket, 5/8" Setback	12.5 (204.8)	—	4	(2) 1/2"	(1) 1/2"	20	
531	TS Bracket, 1/2" Setback	12.5 (204.8)	—	4	(2) 1/2"	(1) 1/2"	25	
540	B Bracket, 1/4" Setback	12.5 (204.8)	—	4	(2) 1/2"	(1) 1/2"	50	—
517	Plaster Ears, Old Work, TIGERGRIP	12.5 (204.8)	—	4	—	(1) 1/2"	20	
512	Plaster Ears, Old Work	12.5 (204.8)	—	4	—	(1) 1/2"	20	





3" X 2" SWITCH BOXES – WITH NONMETALLIC SHEATHED CABLE CLAMPS

APPLICATIONS

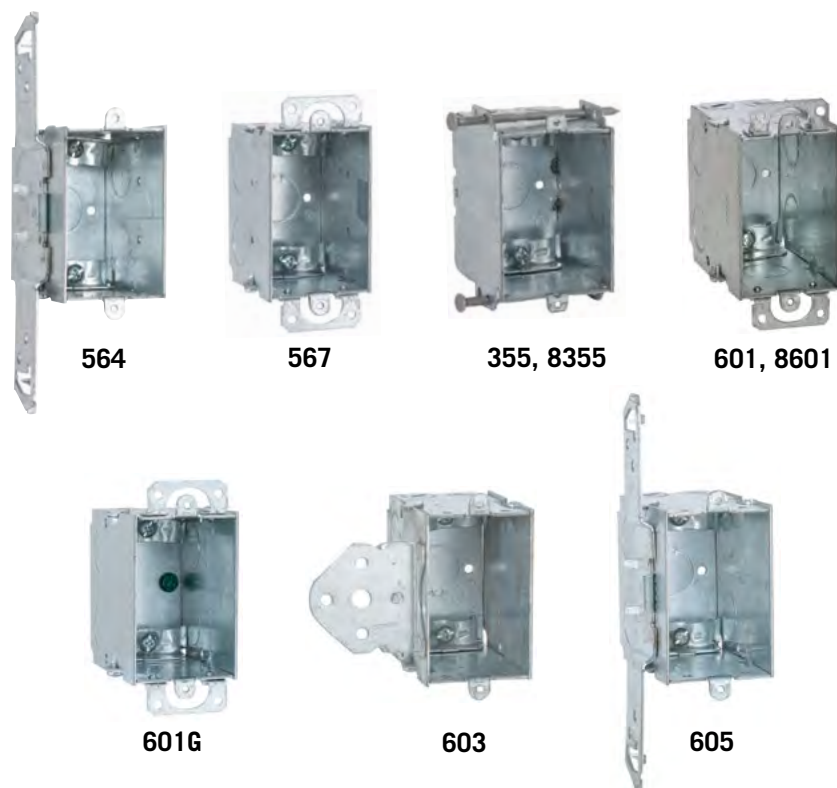
- RACO® Switch boxes are used to house wiring devices such as switches or outlets

PRODUCT FEATURES

- RACO® 355 and 8355 are extra wide for ease of GFCI installation
- Reference the Box Selection section in the front of this catalog for complete description of bracket types and features
- Gangable switch boxes offer the option of constructing a box to hold two or more devices
- Plaster ears allow box to be used in “old work” applications

COMPLIANCES

- File E195978
- File LR-1082 (601G CSA only)
- All RACO UL listed steel boxes are acceptable for use in 2 hr. fire rated floor-ceiling and roof-ceiling assemblies, as well as 2 hr. fire rated bearing and non-bearing wood stud and steel stud walls. For additional information consult Fire Resistance Ratings ANSI/UL 263, Sec. III-6



CAT. #	DESCRIPTION	CUBIC INCHES (CM ³)	KNOCKOUTS				STD. PKG.	BAR CODE
			SIDES CONDUIT	ENDS CABLE	ENDS CONDUIT	BOTTOM CONDUIT		
2-3/4" Deep Switch Box – Gangable with Nonmetallic Sheathed Cable Clamps								
567	Plaster Ears	14.0 (229.4)	(4) 1/2"	4	(2) 1/2"	(1) 1/2"	25	
564	TS Bracket, 1/2" Setback	14.0 (229.4)	(2) 1/2"	4	(2) 1/2"	(1) 1/2"	25	
2-27/32" Deep Switch Box – Nongangable with Nonmetallic Sheathed Cable Clamps								
355	S Bracket, Nails	15.8 (258.9)	—	4	—	(1) 1/2"	50	—
8355	S Bracket, Nails	15.8 (258.9)	—	4	—	(1) 1/2"	20	
3-1/2" Deep Switch Box – Gangable with Nonmetallic Sheathed Cable Clamps								
601	Plaster Ears	18.0 (295.0)	(4) 1/2"	4	(2) 1/2"	(1) 1/2"	25	—
8601	Plaster Ears	18.0 (295.0)	(4) 1/2"	4	(2) 1/2"	(1) 1/2"	25	
601G	Plaster Ears, With Ground Screw Driven	18.0 (295.0)	(4) 1/2"	4	(2) 1/2"	(1) 1/2"	25	—
605	TS Bracket, 1/2" Setback	18.0 (295.0)	(4) 1/2"	4	(2) 1/2"	(1) 1/2"	25	
603	B Bracket, 5/8" Setback	18.0 (295.0)	(4) 1/2"	4	(2) 1/2"	(1) 1/2"	25	—

SHALLOW SWITCH BOXES – WITH NONMETALLIC SHEATHED CABLE CLAMPS

APPLICATIONS

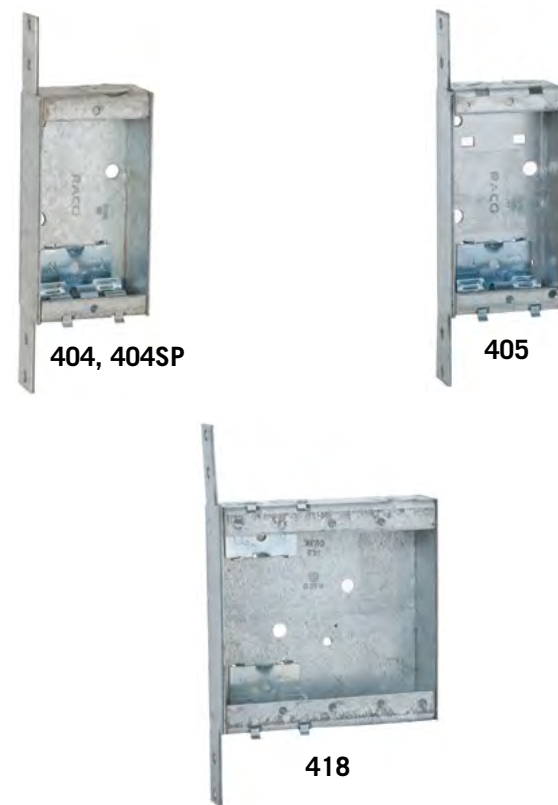
- RACO® Shallow switch boxes are made for use with furring strips and 1/4" paneling
- Switch boxes are used to house wiring devices such as switches or outlets

PRODUCT FEATURES

- RACO® “D” bracket is pre-scored and can be broken off if needed
- Reference the Box Selection section in the front of this catalog for complete description of bracket types and features
- 418 will accept 4" square mudring or flat cover

COMPLIANCE

- File E195978 (Cat. #404, #404SP and #405 not UL listed)
- All RACO UL listed steel boxes are acceptable for use in 2 hr. fire rated floor-ceiling and roof-ceiling assemblies, as well as 2 hr. fire rated bearing and non-bearing wood stud and steel stud walls. For additional information consult Fire Resistance Ratings ANSI/UL 263, Sec. III-6



CAT. #	DESCRIPTION	CUBIC INCHES (CM ³)	KNOCKOUTS				STD. PKG.	BAR CODE
			SIDES CONDUIT	ENDS CABLE	ENDS CONDUIT	BOTTOM CONDUIT		
3-3/4" x 2" Switch Box, 1" Deep – Nongangable with Nonmetallic Sheathed Cable Clamps								
404	Q Clamp, 1/4" Setback	6.5 (106.5)	—	2	(1) 1/2"	—	25	
404SP	Q Clamp, 1/4" Setback	6.5 (106.5)	—	2	(1) 1/2"	—	6	
405	Q Clamp, 1/4" Setback	6.5 (106.5)	—	4	—	—	25	
4" x 4" Switch Box, 1" Deep – Nongangable with Nonmetallic Sheathed Cable Clamps								
418	(2) Q Clamp, 1/4" Setback	14.8 (242.5)	—	4	(2) 1/2"	—	25	



MULTIDEVICE LARGE CAPACITY SWITCH BOXES & PARTITIONS

APPLICATIONS

- Installers can save time and cut installation costs with multigang switch boxes
- Larger capacity boxes are ideal for today's designs where there is a need to install two devices at one location

PRODUCT FEATURES

- Reference the Box Selection section in the front of this catalog for complete description of bracket and clamp types and features

COMPLIANCE

- File E195978



CAT. #	DESCRIPTION	CUBIC INCHES (CM ³)	KNOCKOUTS				STD. PKG.	BAR CODE
			SIDES CONDUIT	ENDS CABLE	ENDS CONDUIT	BOTTOM CONDUIT		
Multidevice Switch Boxes, 2-1/2" Deep – Welded with Conduit KO's								
686	3-Gang, 1/2" Setback	47.8 (783.3)	(6) 1/2", (6) 3/4"	—	(2) 1/2", (2) 3/4"	(3) 1/2", (3) 3/4"	10	
687	4-Gang, 1/2" Setback	63.5 (1040.6)	(8) 1/2", (8) 3/4"	—	(2) 1/2", (2) 3/4"	(4) 1/2", (4) 3/4"	10	
Low-Voltage Partition								
971	For 686 and 687 Boxes	—	—	—	—	—	25	—



CAT. #	DESCRIPTION	CUBIC INCHES (CM ³)	KNOCKOUTS			STD. PKG.	BAR CODE
			TOP & BOTTOM	SIDES	BACK		
Gang Boxes, 1-5/8" Deep – Welded with Conduit KO's							
951	2-Gang	47.0 (770.1)	8 Conc. 1/2" & 3/4"	4 Conc. 1/2" & 3/4"	(3) 1/2" (2) 3/4"	5	—
952	3-Gang	60.0 (983.2)	10 Conc. 1/2" & 3/4"	4 Conc. 1/2" & 3/4"	(6) 1/2" (4) 3/4"	5	
953	4-Gang	72.8 (1192.9)	12 Conc. 1/2" & 3/4"	4 Conc. 1/2" & 3/4"	(6) 1/2" (4) 3/4"	5	
954	5-Gang	85.8 (1406.0)	14 Conc. 1/2" & 3/4"	4 Conc. 1/2" & 3/4"	(6) 1/2" (4) 3/4"	5	—
955	6-Gang	98.5 (1614.1)	16 Conc. 1/2" & 3/4"	4 Conc. 1/2" & 3/4"	(6) 1/2" (4) 3/4"	1	—
Gang Boxes, 2-1/2" Deep – Welded with Conduit KO's							
941	2-Gang	70.0 (1147.0)	(4) 3/4" 4 Conc. 3/4" & 1"	4 Conc. 3/4" & 1"	(3) 1/2" (2) 3/4"	5	
942	3-Gang	90.0 (1474.8)	(8) 3/4" 2 Conc. 3/4" & 1"	4 Conc. 3/4" & 1"	(6) 1/2" (4) 3/4"	5	
943	4-Gang	110.0 (1802.5)	(4) 3/4" 4 Conc. 3/4" & 1"	4 Conc. 3/4" & 1"	(6) 1/2" (4) 3/4"	5	
944	5-Gang	130.0 (2130.3)	(6) 3/4" 4 Conc. 3/4" & 1"	4 Conc. 3/4" & 1"	(6) 1/2" (4) 3/4"	5	
945	6-Gang	150.0 (2458.0)	(6) 3/4" 6 Conc. 3/4" & 1"	4 Conc. 3/4" & 1"	(6) 1/2" (4) 3/4"	1	

APPLICATIONS

- RACO® Gang boxes are used where a number of wiring devices are to be centrally located

PRODUCT FEATURES

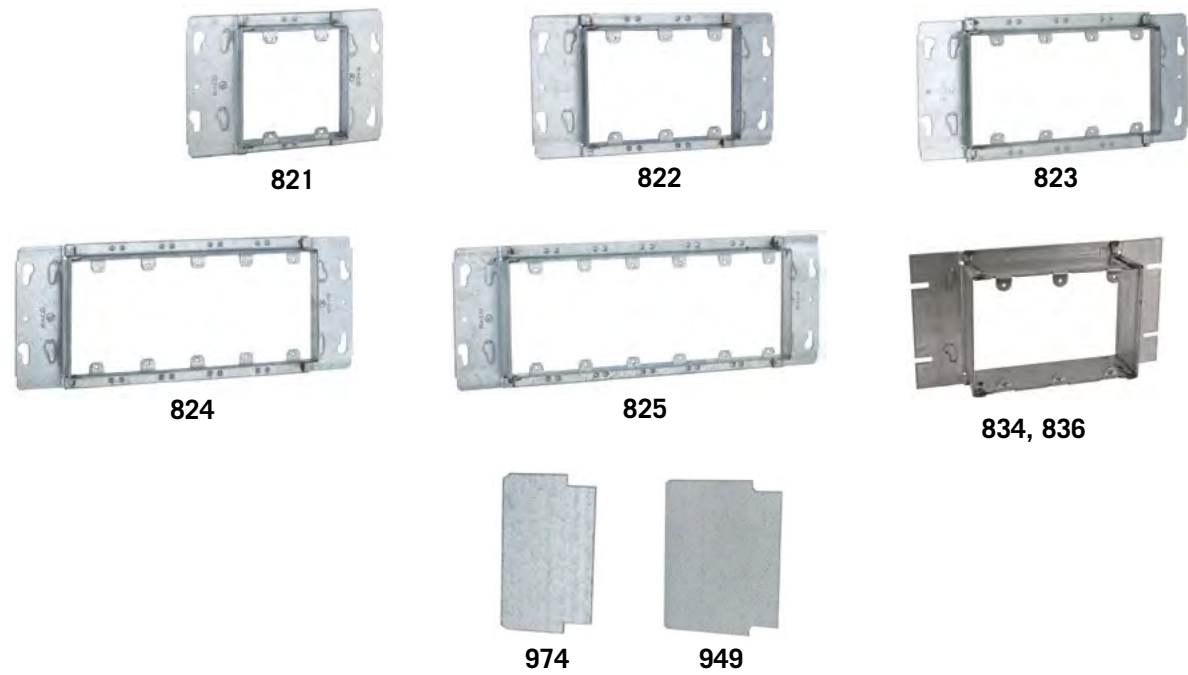
- Gang boxes save time in installation, no need to gang boxes together
- Have 1/2" and 3/4" concentric KO's for use with a wide variety of wiring methods
- Bottom KO pattern, 3-1/2" and 2-3/4" at either end of box
- Accept two styles of covers, flat and 3/4" raised device cover
- Use low voltage partitions #947 or #949

COMPLIANCE

- Listed 731A



COVERS AND PARTITIONS



APPLICATIONS

- RACO® Gang box covers permit the mounting of devices
- Low voltage partitions may be added to boxes to divide power from voice/data
- RACO® 834 and 836 covers are ideal for nurse call stations

PRODUCT FEATURES

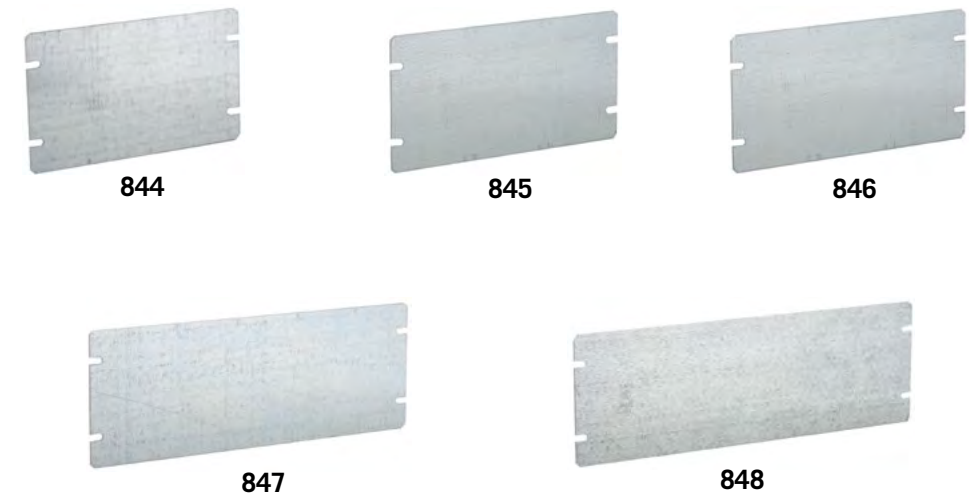
- RACO® Device covers also fit next smaller box, i.e. three gang cover fits two or three gang box
- Partition divides boxes into compartments

COMPLIANCE

- Listed 731A (Cat. #974 and #949 not UL Listed)

CAT. #	DESCRIPTION	FOR GANG BOXES	CU. IN. CAPACITY (CM ³)	STD. PKG.	BAR CODE
Device Covers for Gang Boxes - Raised 3/4"					
821	2-Gang, 7-1/16" Width	951 or 941	10.0 (163.8)	5	—
822	3-Gang, 8-7/8" Width	952 or 942	15.3 (250.7)	5	
823	4-Gang, 10-11/16" Width	953 or 943	20.3 (332.6)	5	
824	5-Gang, 12-1/2" Width	954 or 944	25.5 (417.8)	5	—
825	6-Gang, 14-5/16" Width	955 or 945	30.5 (499.8)	1	—
Device Covers for Gang Boxes					
834	3-Gang, 8-7/8" Width, 2" Raised	952 or 942	40.8 (668.5)	15	—
836	3-Gang, 8-7/8" Width, 1-1/2" Raised	952 or 942	30.6 (501.4)	20	—
Low Voltage Partitions for Gang Boxes					
974	For 1-5/8" Deep	—	—	25	—
949	For 2-1/2" Deep	—	—	25	—

BLANK COVERS



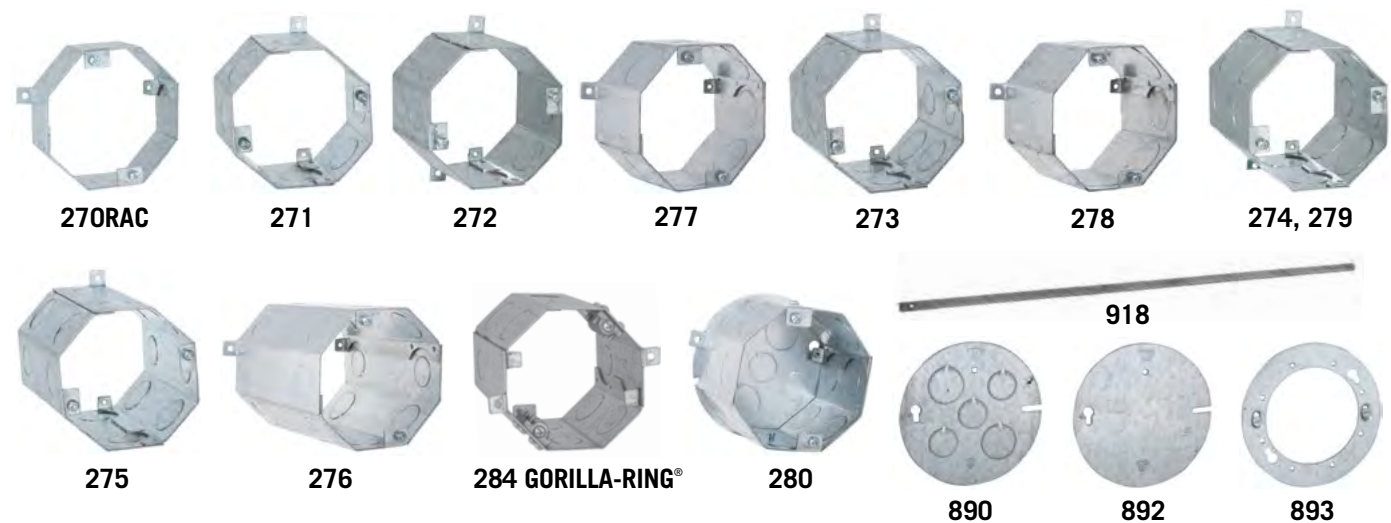
CAT. #	DESCRIPTION	FOR GANG BOXES	STD. PKG.	BAR CODE
Flat, Blank Covers for Gang Boxes				
844	2-Gang, 7-1/16" Width	951 or 941	5	—
845	3-Gang, 8-7/8" Width	952 or 942	5	—
846	4-Gang, 10-11/16" Width	953 or 943	5	—
847	5-Gang, 12-1/2" Width	954 or 944	1	—
848	6-Gang, 14-5/16" Width	955 or 945	1	—

APPLICATIONS

- Covers are used to close a multigang box



CONCRETE RINGS, CEILING BOX AND COVER PLATES



APPLICATIONS

- RACO® Concrete rings are used with poured deck (floor) in high-rise construction
- These boxes are installed on wooden or steel concrete forms. After the forms are removed, the box is flush with the concrete
- *RACO® Ceiling Fan Concrete Ring 284 is listed for support of ceiling fans

PRODUCT FEATURES

- Flat sides provide excellent contact for locknuts
- External ears are used to nail the ring to the wood form
- Top cover is removable for before-pour work
- Ears on inside of box are for fixtures
- Waxed fixture ears prevent concrete from interfering with the threads
- A variety of cover plates are available
- Cover plate must be ordered separately with all RACO® concrete rings

COMPLIANCE

- File E195978

CAT. #	DESCRIPTION	CUBIC INCHES (CM ³)	KNOCKOUTS	RECOMMENDED MAX. LOADS		STD. PKG.	BAR CODE
				CEILING FAN (DYNAMIC) LBS.	FIXTURE (STATIC) LBS.		
Concrete Rings							
270RAC	2" Deep	24.5 (401.4)	Single Row KO's - 1/2" and 3/4"	No	50	25	—
271	2-1/2" Deep	30.8 (504.7)	Single Row KO's - 1/2" and 3/4"	No	50	25	IIIIIII
272	3" Deep	37.0 (606.3)	Single Row KO's - 1/2" and 3/4"	No	50	25	—
277	3" Deep	37.0 (606.3)	Single Row KO's - 3/4" and 1"	No	50	25	—
273	3-1/2" Deep	43.0 (704.6)	Double Row KO's - 1/2" and 3/4"	No	50	20	—
278	3-1/2" Deep	43.0 (704.6)	Single Row KO's - 3/4" and 1"	No	50	20	—
274	4" Deep	49.3 (807.8)	Double Row KO's - 1/2" and 3/4"	No	50	20	—
279	4" Deep	49.3 (807.8)	Double Row KO's - 3/4" and 1"	No	50	20	—
275	5" Deep	61.5 (1007.8)	Double Row KO's - 1/2" and 3/4"	No	50	10	—
276	6" Deep	74.0 (1212.6)	Double Row KO's - 1/2" and 3/4"	No	50	10	—
284*	4" Deep	49.3 (807.8)	Double Row KO's - 1/2" and 3/4"	70	150	6	—
Hung Ceiling Box							
280	3-1/2" Deep, includes an 890 cover	43.0 (704.6)	Double Row KO's (8) 1/2" and (8) 3/4"	No	—	20	—
918	30" Long Bars for Hung Ceiling Box	—	—	No	—	40	—
Concrete Ring - Back Plates/Covers and Adapter Ring							
890	(3) 1/2" and (2) 3/4" KO's, O.D. 4-1/2"	—	—	—	—	25	IIIIIII
892	Flat, Blank, O.D. 4-1/2"	—	—	—	—	25	—
893	O.D. 4-1/2", Joins Octagon Ext. Ring to Concrete Ring, Two Retained Screws	—	—	—	—	50	—

MASONRY BOXES AND PARTITIONS



CAT. #	DESCRIPTION	CUBIC INCHES (CM ³)	KNOCKOUTS			STD. PKG.	BAR CODE
			SIDES CONDUIT	ENDS CONDUIT	BOTTOM CONDUIT		
Masonry Boxes, 2-1/2" Deep – Nongangable with conduit KO's							
690	1-gang, 1-31/32" wide	16.0 (262.1)	4 Conc.	2 Conc.	2 Conc.	25	—
691	2-gang, 3-25/32" wide	31.8 (521.1)	4 Conc.	4 Conc.	4 Conc.	25	—
692	3-gang, 5-19/32" wide	47.8 (783.3)	4 Conc.	6 Conc.	3 Conc.	10	—
693	4-gang, 7-13/32" wide	63.5 (1040.5)	4 Conc.	8 Conc.	4 Conc.	10	—
694	5-gang, 9-7/32" wide	79.5 (1302.7)	4 Conc.	10 Conc.	5 Conc.	10	—
960	6-gang, 11-1/32" wide	95.3 (1561.6)	4 Conc.	12 Conc.	6 Conc.	1	—
Masonry Boxes, 3-1/2" Deep – Nongangable with conduit KO's							
695	1-gang, 1-31/32" wide	22.5 (368.7)	4 Conc.	4 Conc.	2 Conc.	25	—
8695	1-gang, 1-31/32" wide	22.5 (368.7)	4 Conc.	4 Conc.	2 Conc.	25	IIIIIII
696	2-gang, 3-25/32" wide	45.0 (737.4)	4 Conc.	8 Conc.	4 Conc.	25	IIIIIII
697	3-gang, 5-19/32" wide	67.3 (1102.8)	4 Conc.	12 Conc.	3 Conc.	10	IIIIIII
698	4-gang, 7-13/32" wide	89.8 (1471.5)	4 Conc.	16 Conc.	4 Conc.	10	—
699	5-gang, 9-7/32" wide	112.3 (1840.2)	4 Conc.	20 Conc.	5 Conc.	10	—
965	6-gang, 11-1/32" wide	134.8 (2208.9)	4 Conc.	24 Conc.	6 Conc.	1	—
Low Voltage Partitions for Masonry Boxes							
971	For nongangable, 2-1/2" or 3-1/2" deep boxes	—	—	—	—	25	—
949	For gangable, 2-1/2" deep boxes	—	—	—	—	25	IIIIIII

APPLICATIONS

- RACO® Masonry boxes are designed to accommodate the mounting of switches or other devices in masonry walls
- Gangable masonry boxes offer the option of constructing a box to hold two or more devices
- 2-1/2" deep boxes are used in 4" block walls, 3-1/2" deep boxes are used in 6" or 8" block walls

NONGANGABLE PRODUCT FEATURES

- Rugged welded design does not fall apart during construction
- Available from one to six gang configurations in both 2-1/2" and 3-1/2" depths
- Rectangular shape fits square cuts in block
- Large volume design allows for additional work room inside the box
- Standard 1/2" and 3/4" concentric Knockouts
- Device ears inside the box prevent mortar from getting in the device holes
- Steel low voltage partition #971 fits all 2-1/2" or 3-1/2" depths
- Standard wall plates can be used

COMPLIANCE

- File E195978 (Cat. #971 not UL Listed)



GANGABLE MASONRY BOXES AND PARTITIONS

APPLICATIONS

- RACO® Masonry boxes are designed to accommodate the mounting of switches or other devices in masonry walls
- Gangable masonry boxes offer the option of constructing a box to hold two or more devices
- 2-1/2" deep boxes are used in 4" block walls, 3-1/2" deep boxes are used in 6" or 8" block walls

GANGABLE PRODUCT FEATURES

- Rugged welded design does not fall apart during construction
- Gangable design allows installer to build unlimited number of gangs to hold multiple devices
- Rectangular shape fits square cuts in block
- Standard 1/2" and 3/4" TKO® Knockouts
- Device ears inside the box prevent mortar from getting in the device holes
- Steel low voltage partitions:
 - #675 fits 2-1/2" box
 - #676 fits 3-1/2" deep box
- Forward mounted grounding provision allows for easy installation of grounding pigtail
- Standard wall plates can be used

COMPLIANCE

- File E195978 (Cat. #675 and #676 not UL Listed)



688



689



675



676

CAT. #	DESCRIPTION	CUBIC INCHES (CM ³)	KNOCKOUTS			STD. PKG.	BAR CODE
			SIDES CONDUIT	ENDS CONDUIT	BOTTOM CONDUIT		
Masonry Boxes, 2-1/2" Deep – Gangable with conduit KO's							
688	1-gang, 1-15/16" wide	15.5 (253.9)	4 TKO®	2 TKO®	2 TKO®	20	
Masonry Boxes, 3-1/2" Deep – Gangable with conduit KO's							
689	1-gang, 1-15/16" wide	22.5 (368.7)	4 TKO®	4 TKO®	2 TKO®	20	

CATALOG #	DESCRIPTION	STD. PKG.	BARCODE
Low Voltage Partitions for Masonry Boxes			
675	For gangable, 2-1/2" deep boxes	20	
676	For gangable, 3-1/2" deep boxes	20	

BLOCK-LOC™ MASONRY BOXES



689B



695B



696B



697B



698B



786B



796B



899B

BLOCK-LOC™ APPLICATIONS

- For power and data outlets in masonry block walls

BLOCK-LOC™ FEATURES

- Integral brackets securely hold power and data outlets to concrete block from front and back in masonry block walls
- Quick and accurate positioning
- Break off front tabs

COMPLIANCE

- File E195978

CATALOG #	DESCRIPTION	CUBIC INCHES (CM ³)	KNOCKOUTS			STD. PKG.	BAR CODE
			SIDES CONDUIT	ENDS CONDUIT	BOTTOM CONDUIT		
BLOCK-LOC Masonry Boxes							
689B	3-1/2" deep 1-gang, gangable	22.5 (368.7)	4 TKO®	2 TKO®	2 TKO®	18	
695B	3-1/2" deep 1-gang, welded	22.5 (368.7)	4 Conc.	4 Conc.	2 Conc.	18	
696B	3-1/2" deep 2-gang, welded	45.0 (737.4)	4 Conc.	8 Conc.	4 Conc.	12	
697B	3-1/2" deep 3-gang, welded	67.3 (1102.8)	4 Conc.	12 Conc.	3 Conc.	12	
698B	3-1/2" deep 4-gang, welded	89.8 (1471.6)	4 Conc.	16 Conc.	4 Conc.	6	
786B	4" Sq. 1-gang tile cover, 2" deep	14.5 (237.6)	—	—	—	25	
796B	4" Sq. 2-gang tile cover, 2" deep	20.5 (335.9)	—	—	—	20	
899B	4-11/16" Sq. 1-gang tile cover, 2" deep	16.0 (262.2)	—	—	—	12	

BRACES AND BRACKETS - BETWEEN STUDS

APPLICATIONS

9004R - 9006R, 9013R - 9015R

- RACO® Braces and extenders are used for metal or wood stud box positioning

PRODUCT FEATURES

- Available for 1-1/2" or 2-1/8" deep boxes
- Locator dimples on face of bar allows for exact positioning of single or multiple boxes
- Dimple feature provides quick start of screws, and reinforcement to prevent box mounting screws from stripping out when box is mounted
- Design of adjustable brace allows ground screw to clear when box is mounted
- Boxes attach easily with self-tapping screws

COMPLIANCES

- LISTED
LISTED - UL E195973

APPLICATIONS - 9001, 9002

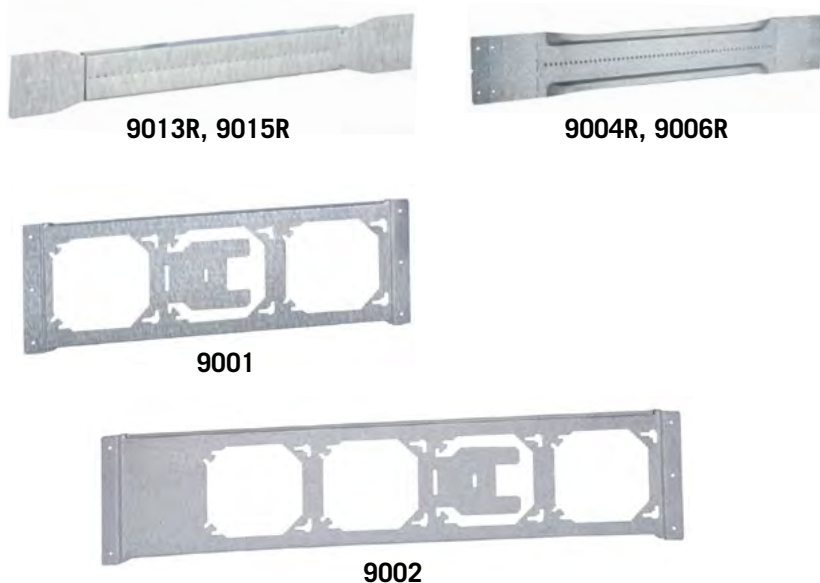
- Positions electrical boxes, plaster rings and low voltage devices between studs

PRODUCT FEATURES

- Fold-back stabilizer leg prevents bracket from being pushed back in wall cavity during drywall installation
- Designed for 2-1/2" or 3-1/2" studs.
- Mounts 4" or 4-11/16" sq. boxes
- Box can be mounted on ring without raised cover to save time by providing maximum work area inside box
- When mounted, raised cover is brought to within 1/16" of drywall everytime and will not bulge or break out drywall

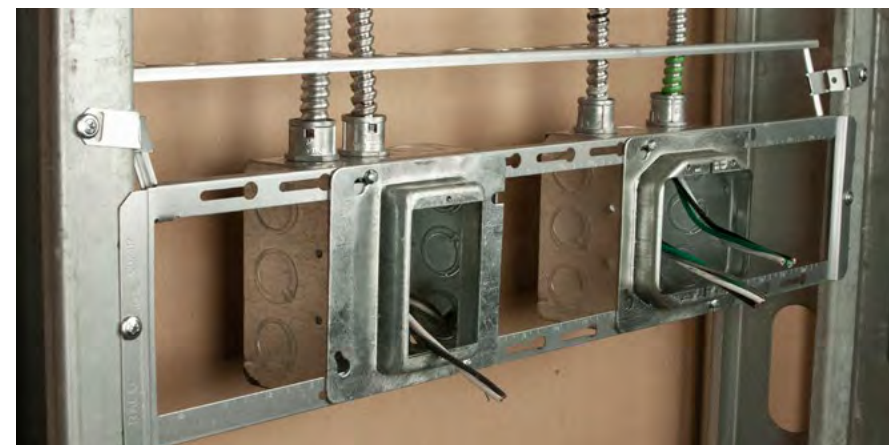
COMPLIANCE

- LISTED



CATALOG #	DESCRIPTION	STD. PKG.	BARCODE
Non-adjustable Box Mounting Brace – For 4" and 4-11/16" square box			
9004R	For 16" stud spacing, 1-1/2" or 2-1/8" deep box	50	—
9006R	For 24" stud spacing, 1-1/2" or 2-1/8" deep box	50	—
Adjustable Box Mounting Brace – For 4" and 4-11/16" square box			
9013R	Adjusts from 10-3/8" to 18", 1-1/2" or 2-1/8" deep box	50	—
9015R	Adjusts from 15" to 26", 1-1/2" or 2-1/8" deep box	50	—
Fixed Position Box Mounting Brackets – For 4" and 4-11/16" square box			
9001	(3) Box, for 16" O. C. studs	50	—
9002	(4) Box, for 24" O. C. Studs	50	—

OPEN CENTER BRACKETS



APPLICATION

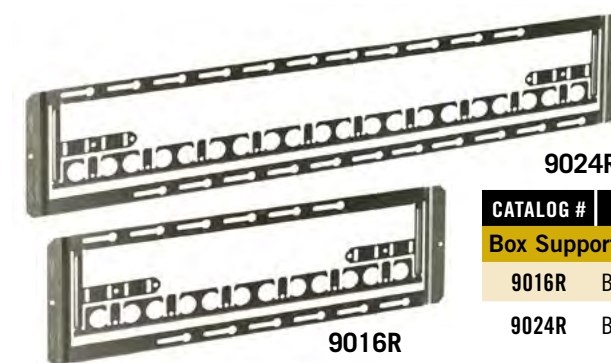
- Easily position and adjust electrical boxes and plaster rings between studs

FEATURES

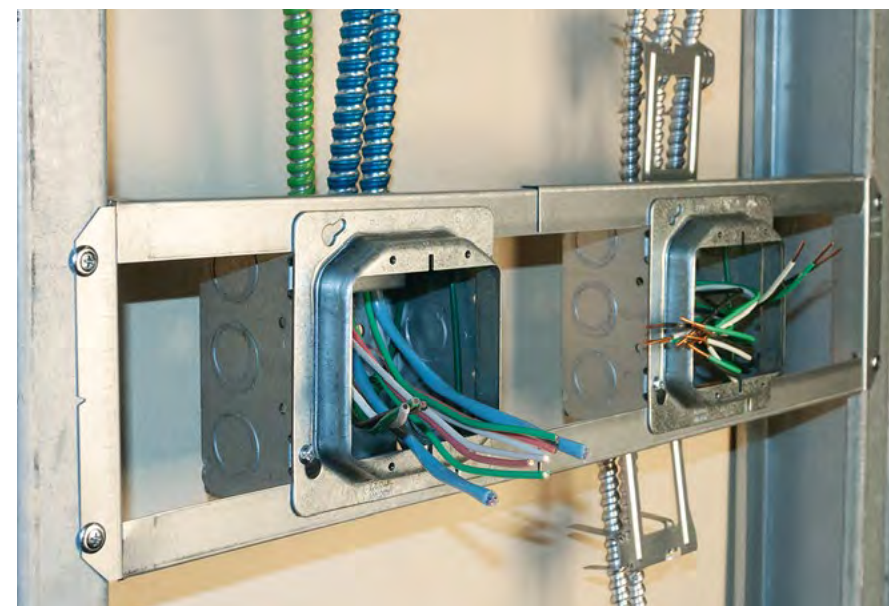
- Accepts both 4" and 4-11/16" square boxes and plaster rings
- Opening gives installer flexibility of box position between studs
- Features built-in first means of support for securing and supporting flex and armored cable
- Built-in ruler to aid in alignment of electrical box

COMPLIANCE

-



CATALOG #	DESCRIPTION	STD. PKG.	BARCODE
Box Support Brackets			
9016R	Bracket for 16" stud spacing	25	—
9024R	Bracket for 24" stud spacing	25	—



APPLICATION

- Perfect for commercial construction. Can be adjusted for use on stud spacing anywhere from 16-24". Accommodates 4" or 4-11/16" square boxes and plaster rings. Provides maximum flexibility for installers while reducing required SKU's on the jobsite

FEATURES

- Accepts 4" and 4-11/16" square boxes
- Large opening allows multiple boxes to mount anywhere in the space
- Rigid design eliminates need for far-side support
- Adjusts from 16" to 24"
- Can be cut for use in smaller spacing
- Centering marks for quick installation
- Use on wood or metal studs
- Galvanized steel construction

COMPLIANCE

-



CATALOG #	DESCRIPTION	STD. PKG.	BARCODE
Adjustable Box Support Bracket			
9020R	Adjustable Open Center Bracket for 16" to 24" stud spacing	25	—

BRACKETS AND BOX SUPPORTS - ON STUDS

9018 APPLICATIONS

- Supports electrical box when mounted to a stud

PRODUCT FEATURES

- Dual-point mounting, right or left of stud Perfect for prefab applications
- Mounts 4" or 4-11/16" sq. box to 2-1/2", 3-1/2" or 6" studs

COMPLIANCES

- LISTED
-

SBRNRRAC APPLICATIONS

- Bracket supports electrical box when mounted to a stud

PRODUCT FEATURES

- Patented, built-in cable support accepts up to 3 MC cables (12-2MC to 10-4 MC)
- Mounts 4" sq. box left or right of stud
- Patented flip-out support accommodates wood and metal stud depths: 2-1/2", 3-1/2", 3-5/8", 5-1/2" and 6"

COMPLIANCE

- LISTED

980 BOX-LOC® & 978 (sold separately) APPLICATIONS

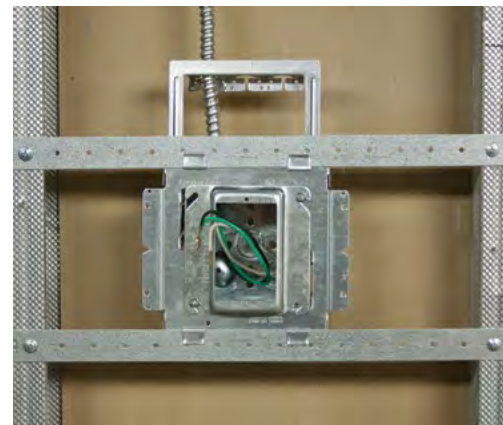
- Allows any 4" or 4-11/16" square metal box to be affixed to a metal stud quickly and easily. 978 Far Side Support prevents box from being pushed back in wall cavity

PRODUCT FEATURES

- 980 Patented spring-steel design installs in seconds without tools
- 978 simply snaps into hole in back of box and is easily cut to fit wall cavity

SP2RAC APPLICATIONS

- Spanner bar SP2RAC works for 24" spans, works with both SBRNRRAC and S1CRAC bracket systems to provide support between two metal or wood studs
- Bars can be used in many mechanical support applications



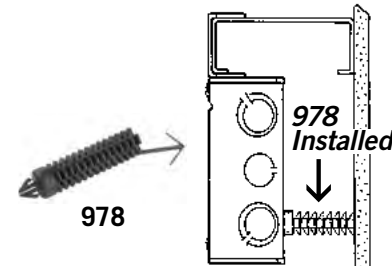
SBRNRRAC



9018



BOX-LOC® 980



978



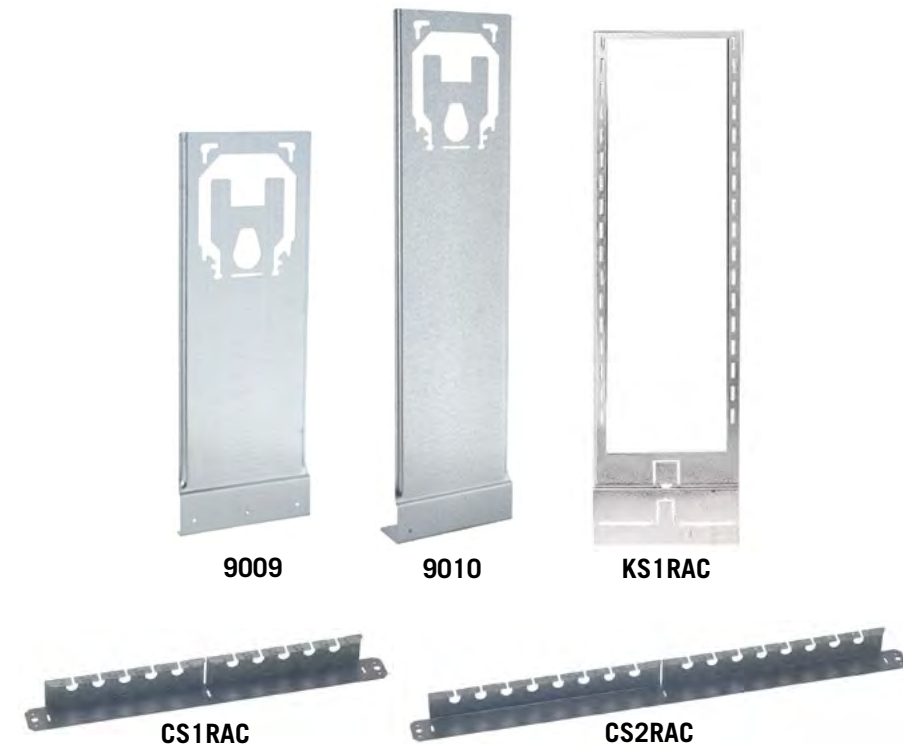
SP2RAC

CATALOG #	DESCRIPTION	STD. PKG.	BARCODE
Two-point Box Mounting Brackets			
9018	Left or right side stud mount	100	—
Single Box Mounting Bracket with Cable Support – For MC/BX wiring systems			
SBRNRRAC	Positions a 4" Sq. junction box between two studs	30	—
BOX-LOC Metal Stud Clip			
980	Spring steel bracket	50	
Plastic Far Side Support			
978	1-7/8" rigid, plastic support	50	—
Between Stud Spanner Bar			
SP2RAC	Spans 24" between two metal or wood studs	30	—

PRODUCT FEATURES

- 1" high profile, 1/8" mounting holes, 1" O.C.
- Heavy 20 guage .038" guage pre-galvanized steel construction for secure and rigid support of boxes in wall cavity

BOX AND CABLE SUPPORTS - BETWEEN STUDS AND FLOOR



9009

9010

KS1RAC

CS1RAC

CS2RAC

CATALOG #	DESCRIPTION	STD. PKG.	BARCODE
Floor Mounted Box Support			
9009	12" tall bracket	25	—
9010	18" tall bracket	25	—
Floor Mount Kick Stand – Adjustable			
KS1RAC	Spans 16" between two metal or wood studs	20	—
MC/BX Cable Holder			
CS1RAC	16" -10 Cabke positions	36	—
CS2RAC	24" - 24" Cabke positions	40	—

PRODUCT FEATURES

- Cable holders can be mounted in multiple configurations - wall/surface, hung by 1/4" all threaded rod, top of wall mounted or deck mounted
- Easy to use, integrated locking tabs hold cable securely in place - snap cable in, no additional hardware required to hold cables in place
- Cable holders accept cable ranges 12-2MC to 10-4MC
- Heavy 20 guage .038" guage pre-galvanized steel construction for secure and rigid support of boxes in wall cavity

COMPLIANCE

- LISTED

APPLICATIONS - 9009, 9010

- Supports electrical boxes from floor or concrete forms

PRODUCT FEATURES

- Fold back stabilizer prevents bracket from being pushed back in wall cavity during drywall installation
- Designed for mounting square boxes 12" or 18" above floor. Mounts to metal or wood plate.
- Mounts 4" or 4-11/16" square boxes
- Box can be mounted on support without drywall ring to save time by providing maximum working area in box
- When mounted, raised cover is brought to within 1/16" of drywall every time. Will not bulge or break out drywall

COMPLIANCES

- LISTED LISTED - UL E195973

APPLICATIONS - KS1RAC

- KS1RAC is designed to be used in conjunction with SBRNRRAC
- Adjusts the box assembly at various heights from floor 7" to 18" at 1 increments

PRODUCT FEATURES

- SBRNRRAC single box support brackets lock into KS1RAC using built in locator tabs
- Wrap under lip design and securing lock tab allows for KS1RAC to be positioned under stud for hands free installation of bracket/box assembly
- KS1RAC wall assembly can be easily located behind closed wall with built in locator tab that can be seen once drywall is in place
- Heavy 20 guage .038" guage pre-galvanized steel construction for secure and rigid support of boxes in wall cavity

COMPLIANCE

- LISTED

APPLICATIONS - CS1RAC & CS2RAC

- CS1RAC and CS2RAC are used to organize runs of MC or BX cables with spacing for NEC requirements that eliminate the need for derating
- Flexibility allows for multiple mounting applications

BOX SUPPORTS - CEILING

APPLICATION - 920, 922

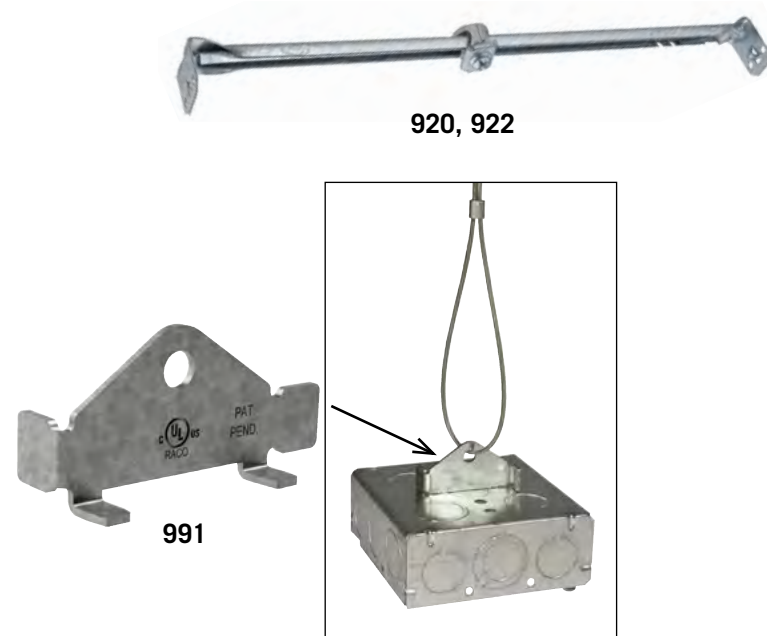
- RACO® Adjustable bar hanger allows box to be placed between ceiling joists or wall studs quickly and easily

PRODUCT FEATURES

- Both RACO® 920 and 922 bar fixture hangers allow box to be located anywhere along length of bar
- 920, 922 Clip installs in 1/2" knockout located in bottom (back) of box
- RACO® box must be ordered separately

BOX INSTALLATION

- Bar hangers attach to octagon or square boxes through center 1/2" knockouts
- Remove knockout from box, also the screw and fixture clip from bar hanger
- When box is located accurately between joists, tighten the screw securely



KWIK-HANG™ APPLICATIONS

- Designed to support 4" square, 4-11/16" square, round, or octagon boxes in hanging applications
- Uses existing holes in bottom of box for quick installation

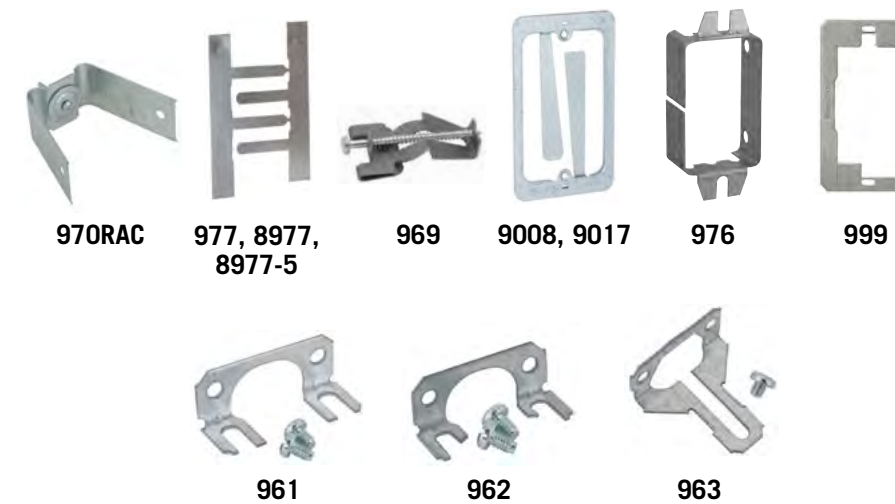
KWIK-HANG™ FEATURES

- Use with cable, wire, chain, strut (not included) to secure from building structure
- Quick installation
- Locks securely into position
- Durable steel construction
- Installation instructions included

COMPLIANCES

- cULus Listed for static fixtures load of 50 lbs or less
- Satisfies NEC 300.11 for box support
- File E195978

CATALOG #	DESCRIPTION	RECOMMENDED MAX. LOADS		STD. PKG.	BAR CODE
		CEILING FAN (DYNAMIC) LBS.	FIXTURE (STATIC) LBS.		
Adjustable Bar Hangers					
920	Clip, adjusts 14-1/4" to 22-1/2"	No	10**	25	IIIIIIII
922	Clip, adjusts 14-1/4" to 22-1/2"	No	10**	50	—
**UL rated at 16" span on center for 50 lbs.					
CATALOG #	DESCRIPTION	STD. PKG.	BAR CODE		
Box Support Products					
991	KWIK-HANG™ box support hanger	50	—		



“OLD WORK SADDLE” APPLICATION - 970RAC

- The “Old Work Saddle” 907RAC is designed to be used with 2-1/2" deep switch boxes that have plaster ears

“OLD WORK SADDLE” PRODUCT FEATURE

- 970RAC installs into the 1/2" bottom conduit knockout

GRIP-LOK® APPLICATION

977, 8977, 8977-5

- The GRIP-LOK support is designed to be used with any deep switch box that has plaster ears

GRIP-LOK® PRODUCT FEATURE

- Simply slip GRIP-LOK between box and wall, then bend tabs into the box

APPLICATION - 9008, 9017

- Mounts standard low voltage wall plates, old work (existing walls)

PRODUCT FEATURES

- For use on low voltage Class 2 circuits only where electrical boxes are not required
- Can be used to mount telephone jacks, computer outlets, security/sound systems, television antennas, etc.
- Fast, precise mounting of low voltage wall plates to walls or studs

COMPLIANCE

- File E195973

ADD-A-DEPTH APPLICATIONS - 976

- Add-A-Depth ring or “goof ring” is designed to act as a barrier between combustible wall surfaces and the wiring system
- For single and two-gang device boxes
- There is no UL standard for this product
- Subject to acceptance by an electric inspector

NEC CODE 314.20

- See page A(3) 2017 Standards

COMPLIANCE

- File E195973, E195968

APPLICATION - 969

- Old work box support clips convert standard switch box to old work type

PRODUCT FEATURE

- Old work switch box clips for use with 1/2" thick standard drywall

CATALOG #	DESCRIPTION	STD. PKG.	BARCODE
Switch Box Support "Old Work Saddle"			
970RAC	Mounts switch boxes w/ plaster ears in hollow walls or ceilings	10	IIIIIIII
GRIP-LOK® "Old Work" Switch Box Support			
977	Supplied as a pair to mount switch box with plaster ears in a hollow wall, 1-7/8" long legs	100 pairs	—
8977	Supplied as a pair to mount switch box with plaster ears in a hollow wall, 1-7/8" long legs	25 pairs	IIIIIIII
8977-5*	Supplied as a pair to mount switch box with plaster ears in a hollow wall, 1-7/8" long legs	100 pairs	IIIIIIII
Old Work Switch Box Clips			
969	Old Work clips for switch boxes, 1/2" sheetrock	50 pairs	IIIIIIII
Low Voltage Mounting Bracket			
9008	New or Old Work 1-gang	100	—
9017	New or Old Work 1-gang	20 Bags**	IIIIIIII
Add-A-Depth Ring			
976	Adjustment range 1/4" - 1", two 1-1/8" screws included	25 Bags	IIIIIIII
Device Leveling Plate			
999	FLUSH-FIT device leveler	50	—

*4 Bundles of 25 – sold in carton quantities only

**2 Brackets per polybag

CAT. #	DESCRIPTION	FOR RACO® SWITCH BOXES	STD. PKG.	BAR CODE
Switch Box Support "Old Work Saddle"				
961	Plaster ears - open style with screws	410, 420, 440, 445, 500, 503, 506, 508, 526, 545, 560, 565, 567, 570RAC, 590, 600, 601	100	IIIIIIII
962	Plaster ears - clipped style with screws	150, 400, 591	100	IIIIIIII
963	Plaster ears - 1 screw style with screws	471, 487, 517, 518, 519, 523	100	—

PROTECTOR PLATES

ACCESSORIES FOR STEEL BOXES

CABLE PROTECTOR PLATES



2712, 2712R, 2712-9R, 2713R
PUZZLE-PLATES®
2709, 2709-9, 2710
Standard Type



CAT. #	CONTRACTOR PACK	DESCRIPTION	LENGTH	MATERIAL THICKNESS	STD. PKG.	BAR CODE
Cable Protector Plates - For wood studs						
2712	—	PUZZLE-PLATE / gangable	2-3/4"	.0510"	100	IIIIIIII
2712-9R	Yes	PUZZLE-PLATE / gangable	2-3/4"	.0625"	50	—
2712R	—	PUZZLE-PLATE / gangable	2-3/4"	.0625"	100	IIIIIIII
2713R	—	PUZZLE-PLATE / gangable	5"	.0625"	50	IIIIIIII
2709	—	Standard type / nongangable	2-9/16"	.0625"	100	IIIIIIII
2709-9	Yes	Standard type / nongangable	2-9/16"	.0625"	100	—
2710	—	Standard type / nongangable	2-9/16"	.0625"	200	—

CAT. #	DESCRIPTION	DEVICE PROTECT	STD. PKG.
Box Support Products			
701AJT	3/4" raised, for 1 device adjustable mudring	GFI, Duplex, Switch	24
702AJT	3/4" raised, for 2 device adjustable mudring	GFI, Duplex, Switch	24
701R	3/4" raised, for 1 device mudring	GFI, Duplex, Switch	24
702R	3/4" raised, for 2 device mudring	GFI, Duplex, Switch	24
701F	Flat, for 1 device mudring	Opening and Wires	100
702F	Flat, for 2 device mudring	Opening and Wires	50
700F	Flat, round 2-3/4" O.C. opening mudring	Opening and Wires	50
701RD	Gangable for RACO 686, 687, & RACO nongangable masonry boxes	For Caddy® MP1S	24
702RD	3/4" raised, low voltage	For Caddy® MP2S	24
701FD	3/4" raised, low voltage	For Caddy® MP1S	50
702FD	3/4" raised, low voltage	For Caddy® MP2S	50
701FG	Flat, gangable for 686, 687, RACO gang masonry boxes	Opening and Wires	100

APPLICATION - 701R - 701FG

- RACO® protector plates eliminate drywall compound, debris, paint and drywall router bit from entering box or damaging device or conductors

PRODUCT FEATURES

- Raisd - covers protect Decora, duplex and switch devices
- Flat - covers close off mudring opening to protect wiring from drywall's router bit tools
- Feature patented wire retrieval loop to hold data wire in place

U.S. Patent 7,102,079

PUZZLE-PLATE® CABLE PROTECTORS APPLICATION - 2712 - 2713R

- Protects nonmetallic sheathed cable or raceway type wires running through wood studs from accidental nail, screw, or drill penetration. Also applies to plumbing to protect nonmetallic piping

PUZZLE-PLATE® PRODUCT FEATURES

- Innovative, interlocking design does not allow nail or screw penetration through gaps or holes
- Pre-galvanized steel construction for added corrosion protection
- No additional hardware required, just position and hammer down spurs
- Unique interlocking feature allows installer to easily increase area that requires protection

COMPLIANCE

- LISTED (not 2712, 2712-9, 2713)

NAILING SPUR APPLICATIONS - 2709, 2710

- Protects nonmetallic sheathed cable or raceway type wires running through wood members from accidental nail, screw or drill penetration
- No nails required

PRODUCT FEATURE

- Old work

COMPLIANCE

- LISTED (not 970RAC)

BOX GROUNDING PRODUCTS



982, 994 #14 Wire, 996, 8996-1, 8983-1, 983 #12 Wire
984
992 #14 Wire, 993 #12 Wire
998, 8998-1
973, 8973-1
975, 8975-1

CAT. #	WIRE LENGTH	DESCRIPTION	STD. PKG.	BAR CODE
Grounding Pigtails				
982	994	#14 Solid insulated copper wire, captive 4-way combo head green dye finish ground screw one end (25 pc. bundles)	1000	—
983	996	#12 Solid insulated copper wire, captive 4-way combo head green dye finish ground screw one end (25 pc. bundles)	1000	—
8983-1		#12 Solid insulated copper wire, captive 4-way combo head green dye finish ground screw one end, poly bag (10 pc. per bag)	40 Bags*	IIIIIIII
8996-1		#12 Solid insulated copper wire, captive 4-way combo head green dye finish ground screw one end, poly bag (10 pc. per bag)	40 Bags*	IIIIIIII
984		#14 Solid bare copper wire, captive 4-way combo head green dye finish ground screw one end (25 bundles)	1000	—
992		#14 Stranded insulated copper wire, captive 4-way combo head green dye finish ground screw one end, spade terminal one end (100 pc. bundles)	500	—
993		#12 Stranded insulated copper wire, captive 4-way combo head green dye finish ground screw one end, spade terminal one end (100 pc. bundles)	500	—

CAT. #	DESCRIPTION	STD. PKG.	BAR CODE
Grounding Screws and Clips			
988	4-way combo head green dye finish 3/8" ground screw for 10-32 tapped hole, clam shell packaged (100 pc. per clam shell)	1000	IIIIIIII
8998-1	4-way combo head green dye finish 3/8" ground screw for 10-32 tapped hole, poly bag (10 pc. per bag)	50 Bags*	IIIIIIII
973	Slotted head green dye finish 3/8" ground screw for 10-32 tapped hole, clam shell package (100 pc. per clam shell)	1000	IIIIIIII
8973-1	Slotted head green dye finish 3/8" ground screw for 10-32 tapped hole, poly bag (10 pc. per bag)	50 Bags*	IIIIIIII
975	Green dye finish ground clip for #14-#10 AWG copper, clam shell package (100 pc. per clam shell)	1000	IIIIIIII
8975-1	Green dye finish ground clip for #14-#10 AWG copper, poly bag (10 pc. per bag)	50 Bags*	IIIIIIII

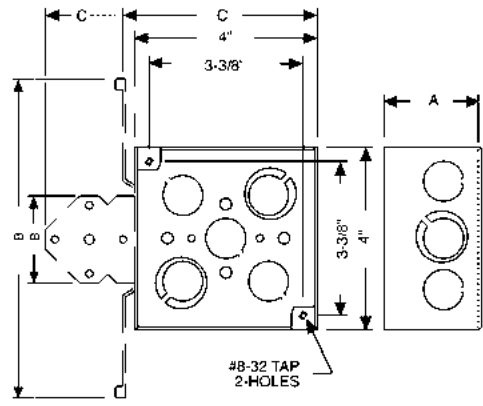
*Order standard package bag quantities only, not per piece

GROUNDING APPLICATIONS

- RACO® Grounding accessories provide a safe electrical path to ground to help prevent shock
- RACO® Grounding screws thread into the box and provide a means of fastening the ground conductor
- Ground wires fasten to the box and are then connected to wiring system or wiring device
- RACO® 6" and 8" ground pigtails feature 4-way (slotted, phillips, hex-head) combo 10-32 captive screw
- Ground clips provide a quick method of fastening a ground conductor to the edge of a steel outlet box
- Ground clips are designed for use with solid No. 14, 12, and 10 guage copper conductor or No. 12 and 10 guage aluminum conductor
- Only one solid ground wire to be installed per ground clip

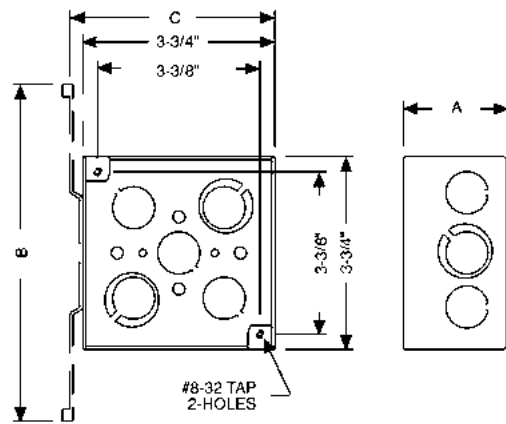
SQUARE BOXES

4" SQUARE CONDUIT BOXES



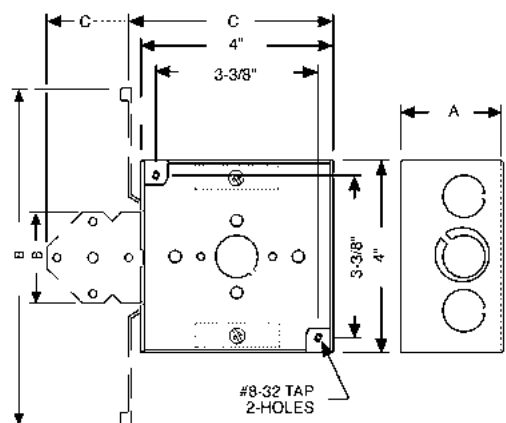
CAT. #	DIMENSIONS		
	A (INSIDE)	B	C
181	1-1/2"	-	-
185	1-1/4"	-	-
187	1-1/2"	-	-
199	1-1/2"	6-7/8"	4-3/8"
202	1-1/2"	-	-
204	1-1/2"	-	-
207	2-1/8"	-	-
226	1-1/2"	-	-
227	1-1/2"	4-5/8"	5-1/2"
236	2-1/8"	7-5/8"	4-3/8"
237	2-1/8"	7-5/8"	4-3/8"
238	2-1/8"	4-5/8"	5-1/2"
239	2-1/8"	-	-
251	2-1/8"	1-31/32"	6"
8197	1-1/2"	7-3/8"	4-3/8"
189, 8189	1-1/2"	-	-
189F	1-1/2"	-	-
189H	1-1/2"	3-1/8"	4-15/16"
189HS	1-1/2"	3-1/8"	4-15/16"
189HWP	1-1/2"	3-1/8"	4-15/16"
189M	1-1/2"	3-1/8"	4-15/16"
189RAC	1-1/2"	-	-
189SM	1-1/2"	-	-
190, 8190	1-1/2"	-	-
191, 8191	1-1/2"	-	-
192, 8192	1-1/2"	-	-
192SM	1-1/2"	-	-
193, 8193	1-1/2"	1-31/32"	6"
196, 8196	1-1/2"	6-7/8"	4-3/8"
201, 8201	1-1/2"	-	-
203, 8203	1-1/2"	-	-
208, 8208	1-1/2"	6-13/16"	5-15/16"
231, 8231	2-1/8"	-	-
232, 8232	2-1/8"	-	-
232F	2-1/8"	-	-
232H	2-1/8"	3-1/8"	4-15/16"
232HS	2-1/8"	3-1/8"	4-15/16"
232HWP	2-1/8"	3-1/8"	4-15/16"
232M	2-1/8"	7"	4-15/16"
232-OW	2-1/8"	-	-
232RAC	2-1/8"	-	-
232SM	2-1/8"	-	-
233, 8233	2-1/8"	-	-
235, 8235	2-1/8"	7"	4-5/16"
911-3	2-1/8"	-	-
911-4	2-1/8"	7-5/8"	4-3/8"
911-6	1-1/2"	-	-
911-9	1-1/2"	-	-

3-3/4" SQUARE CONDUIT BOXES



CAT. #	DIMENSIONS		
	A (INSIDE)	B	C
255	3-1/2"	7-5/8"	3-3/4"
911-1	3-1/2"	7-5/8"	3-3/4"
256	3-1/2"	-	-
911-2	3-1/2"	-	-

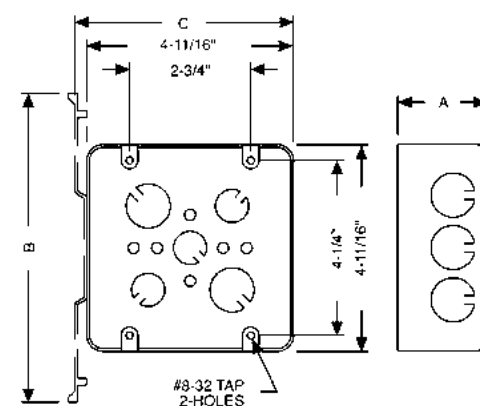
4" SQUARE CABLE BOXES



CAT. #	DIMENSIONS		
	A (INSIDE)	B	C
223	1-1/2"	6-7/8"	4-3/8"
224	1-1/2"	1-31/32"	6"
225	1-1/2"	1-31/32"	6"
228	1-1/2"	4-5/8"	5-1/2"
229	1-1/2"	4-5/8"	5-1/2"
242	2-1/8"	-	-
243	2-1/8"	4-5/8"	5-1/2"
248	1-1/2"	-	-
249	2-1/8"	1-31/32"	6"
211, 8211	1-1/2"	-	-
213, 8213	1-1/2"	-	-
213HWP	1-1/2"	3-1/8"	4-15/16"
218, 8218	1-1/2"	6-7/8"	4-3/8"
240, 8240	2-1/8"	7"	4-5/16"
241, 8241	2-1/8"	7"	4-5/16"
248HWP	2-1/8"	3-1/8"	4-15/16"

SQUARE BOXES

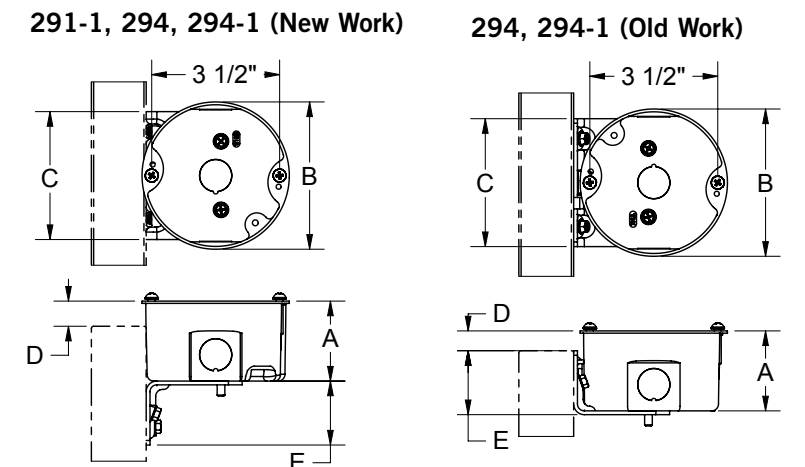
4-11/16" SQUARE CONDUIT BOXES



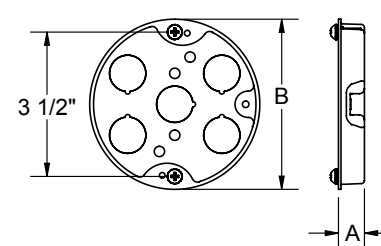
CAT. #	DIMENSIONS		
	A (INSIDE)	B	C
245	1-1/2"	-	-
246	1-1/2"	-	-
247	1-1/2"	-	-
250	1-1/2"	-	-
254	2-1/8"	7-5/8"	5-1/16"
258	2-1/8"	-	-
259	2-1/8"	-	-
260	3-1/4"	-	-
262	2-1/8"	-	-
266	2-1/8"	4-5/8"	6-3/16"
257, 8257	2-1/8"	-	-
257F	2-1/8"	-	-
257H	2-1/8"	-	-
257HS	2-1/8"	-	-
257M	2-1/8"	-	-
257SM	2-1/8"	-	-
258SM	2-1/8"	-	-
265, 8265	2-1/8"	-	-
911-12	2-1/8"	-	-
911-15	3-1/4"	-	-

CEILING FAN SUPPORT PRODUCTS

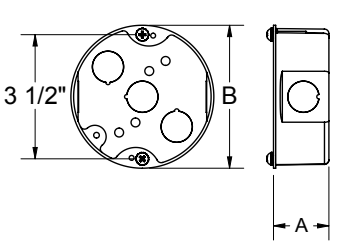
CEILING FAN SUPPORT BOXES



295 and 295-1



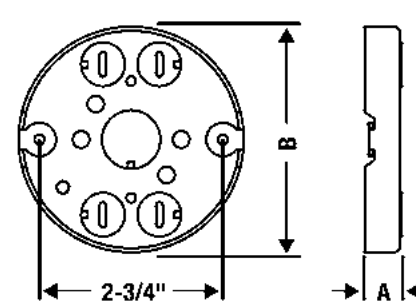
296 - 299



CAT. #	DIMENSIONS				
	A (INSIDE)	B	C	D	E
291-1	1-1/2"	4"	3-1/2"	1/2"	1-3/4"
294, 294-1	2-1/8"	4"	3-1/2"	1/2"	1-3/4"
295, 295-1	1/2"	4"	-	-	-
296, 296-1	1-1/2"	4"	-	-	-
299	2-1/8"	4"	-	-	-

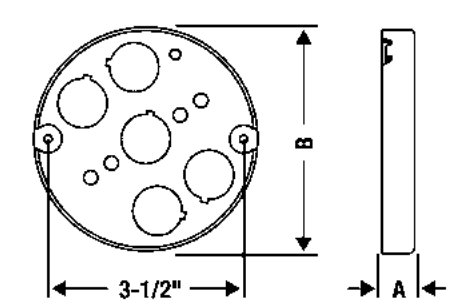
CEILING PANS

CEILING PANS - 3-1/2" 287, 292 AND 8292



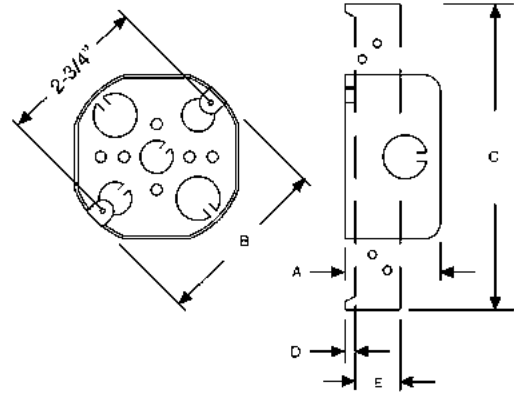
CAT. #	DIMENSIONS	
	A (INSIDE)	B
287	11/16"	3-3/8"
292	1/2"	3-3/8"
8292	1/2"	3-3/8"
293	1/2"	4"
8293	1/2"	4"

CEILING PANS - 4" 293 and 8293



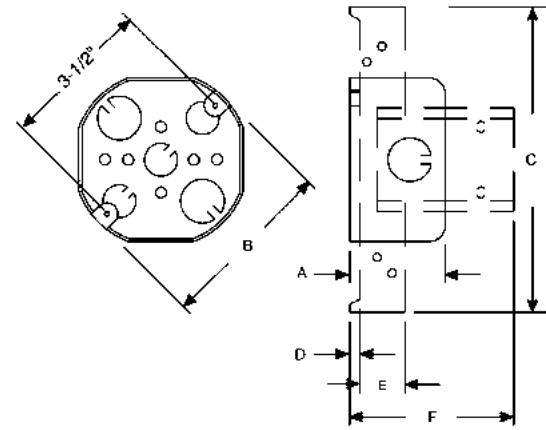
OCTAGON BOXES

3-1/2" OCTAGON BOXES



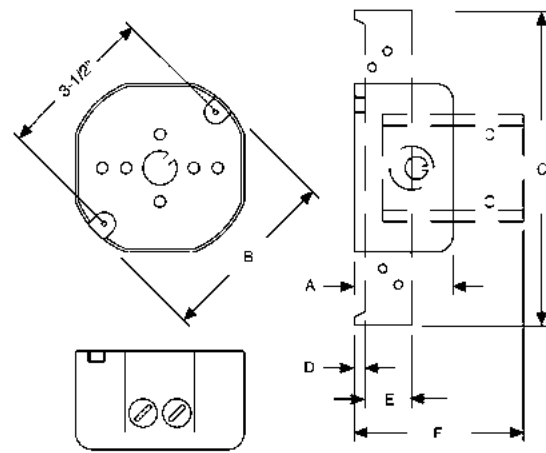
CAT. #	DIMENSIONS				
	A (INSIDE)	B	C	D	E
110	1-1/2"	3-1/2"	-	-	-
111	1-1/2"	3-1/2"	-	-	-
112	1-1/2"	3-1/2"	-	-	-
119	1-1/2"	3-1/2"	7"	-	1-1/16"

4" OCTAGON CONDUIT BOXES



CAT. #	DIMENSIONS					
	A (INSIDE)	B	C	D	E	F
125, 8125	1-1/2"	4"	-	-	-	-
126	1-1/2"	4"	-	-	-	-
127	1-1/2"	4"	-	-	-	-
127TS	1-1/2"	4"	7"	1/2"	1-1/16"	-
128	1-1/2"	4"	-	-	-	-
130	1-1/2"	4"	-	-	-	-
131RAC	1-1/2"	4"	-	-	-	-
158	1-1/2"	4"	2-3/8"	-	-	3-1/8"
165	2-1/8"	4"	-	-	-	-
166	2-1/8"	4"	-	-	-	-
161	1-1/2"	4"	7"	1/2"	1-1/16"	-
167	2-1/8"	4"	-	-	-	-
167TS	2-1/8"	4"	7"	1/2"	1-1/16"	-

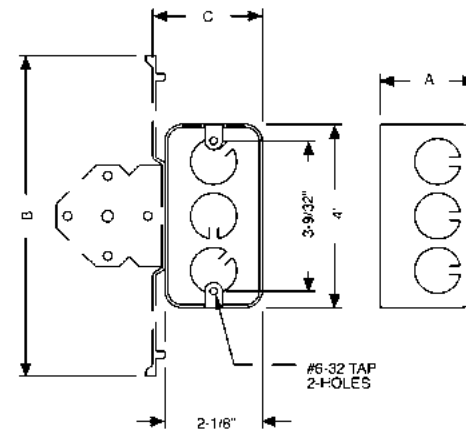
4" OCTAGON CABLE BOXES



CAT. #	DIMENSIONS					
	A (INSIDE)	B	C	D	E	F
145	1-1/2"	4"	-	-	-	-
146	1-1/2"	4"	-	-	-	-
150	1-1/2"	4"	-	-	-	-
153	1-1/2"	4"	-	-	-	-
155	1-1/2"	4"	7"	1/2"	1-1/16"	-
157	1-1/2"	4"	2-3/8"	-	-	3-1/8"
160	1-1/2"	4"	2-3/8"	-	-	3-1/8"
164	1-1/2"	4"	7"	1/2"	1-1/16"	-
175	2-1/8"	4"	-	-	-	-
176	2-1/8"	4"	2-3/8"	5/8"	-	3-3/4"
177	2-1/8"	4"	7"	1/2"	1-1/16"	-

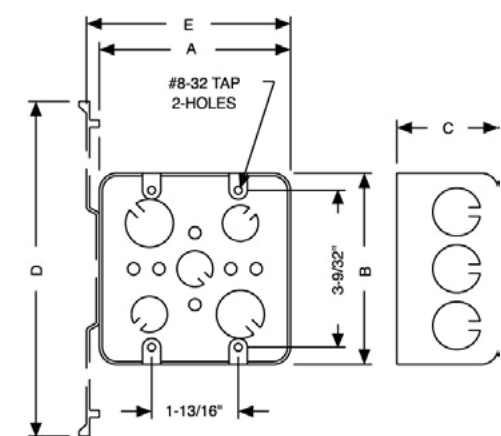
HANDY BOXES AND SWITCH BOXES

HANDY BOXES



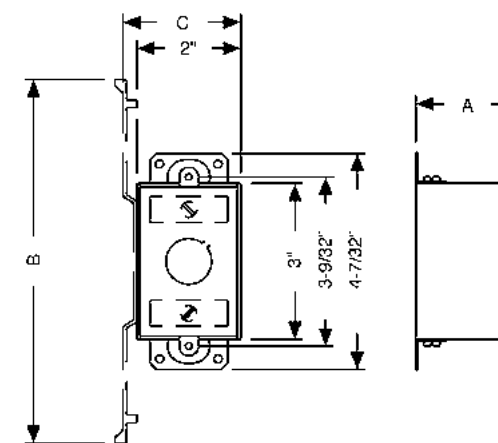
CAT. #	DIMENSIONS		
	A (INSIDE)	B	C
661	1-7/8"	6-7/16"	2-7/32"
662	1-7/8"	7"	2-3/8"
655	1-1/2"	1-31/32"	4-1/8"
670RAC	2-1/8"	-	-
8670	2-1/8"	-	-
674	2-1/8"	-	-
678	2-1/8"	7"	2-3/8"
650, 8650	1-1/2"	-	-
650CSA	1-1/2"	-	-
653	1-1/2"	-	-
660, 8660	1-7/8"	-	-
611	1-7/8"	-	-
660SM	1-7/8"	-	-
663, 8663	1-7/8"	-	-
663SM	1-7/8"	-	-
665	1-7/8"	-	-
671	2-1/8"	6-7/16"	2-7/32"

2-GANG HANDY BOXES / SWITCH BOXES



CAT. #	DIMENSIONS				
	A (INSIDE)	B	C	D	E
680	2-1/8"	4"	4"	-	-
681	2-1/8"	4"	4"	7"	4-9/32"
683	2-1/8"	4"	4"	-	-
685	2-1/8"	4"	4"	7"	4-9/32"

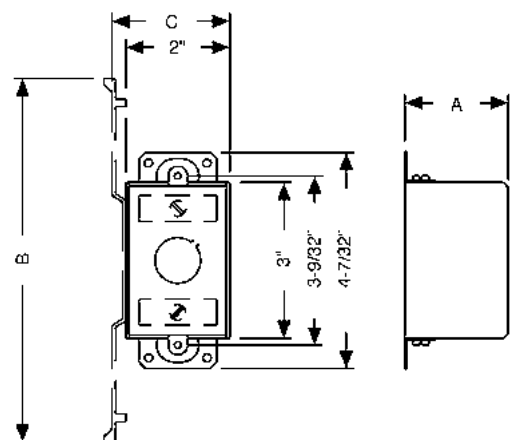
1-GANG AND GANGABLE CONDUIT SWITCH BOXES



CAT. #	DIMENSIONS		
	A (INSIDE)	B	C
400	1-1/2"	-	-
420	2"	-	-
501	2-1/2"	-	-
502	2-1/2"	1-31/32"	4"
503	2-1/2"	-	-
505	2-1/2"	7"	2-13/64"
506	2-1/2"	-	-
508	2-1/2"	-	-
509	2-1/2"	-	-
560	2-3/4"	-	-
561	2-3/4"	-	-
562	2-3/4"	7"	2-13/64"
565	2-3/4"	-	-
591	3-1/2"	-	-
592	3-1/2"	-	-
500, 8500	2-1/2"	-	-
504, 8504	2-1/2"	7"	2-13/64"
590, 8590	3-1/2"	-	-

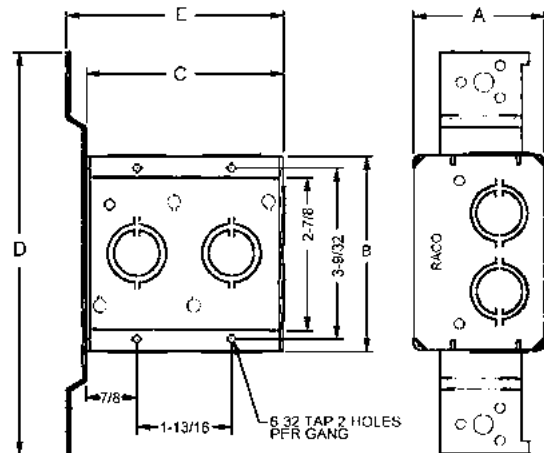
SWITCH BOXES

1-GANG AND GANGABLE CABLE SWITCH BOXES



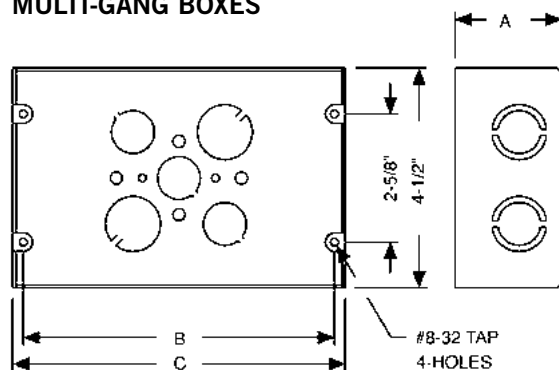
CAT. #	DIMENSIONS		
	A (INSIDE)	B	C
410	1-1/2"	-	-
440	2"	-	-
445	2"	-	-
471	2-1/4"	-	-
473	2-1/4"	-	-
487	2-1/4"	-	-
512	2-1/2"	-	-
517	2-1/2"	-	-
518	2-1/2"	-	-
519	2-1/2"	-	-
522	2-1/2"	1-31/32"	5-3/64"
523	2-1/2"	-	-
526	2-1/2"	1-3/8"	3-13/32"
528	2-1/2"	-	-
529	2-1/2"	1-31/32"	5-3/64"
531	2-1/2"	7"	2-13/64"
540	2-1/2"	1-31/32"	4"
545	2-1/2"	-	-
564	2-3/4"	7"	2-13/64"
567	2-3/4"	-	-
574	2-3/4"	7"	2-13/64"
600	3-1/2"	-	-
603	3-1/2"	1-31/32"	4"
604	3-1/2"	7"	2-13/64"
605	3-1/2"	7"	2-13/64"
524, 8524	2-1/2"	7"	2-13/64"
570RAC	2-3/4"	-	-
601, 8601	3-1/2"	-	-
6016	3-1/2"	-	-

MULTI-DEVICE SWITCH BOXES



CAT. #	DIMENSIONS				
	A (INSIDE)	B	C	D	E
686	2-1/2"	3-3/4"	5-9/16"	7-5/8"	5-31/32"
687	2-1/2"	3-3/4"	7-3/8"	7-5/8"	7-25/32"

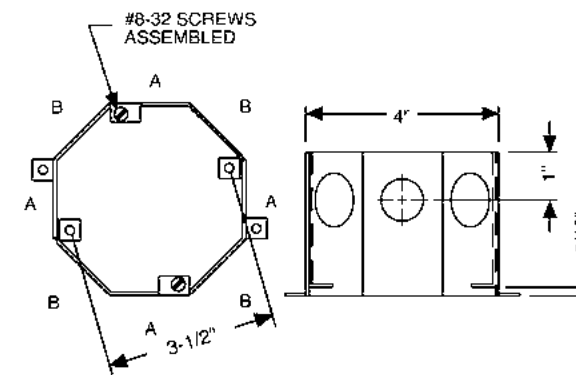
MULTI-GANG BOXES



CAT. #	DIMENSIONS		
	A (INSIDE)	B	C
941	2-1/2"	6-3/8"	6-13/16"
942	2-1/2"	8-3/16"	8-5/8"
943	2-1/2"	10"	10-7/16"
944	2-1/2"	11-13/16"	12-1/4"
945	2-1/2"	13-5/8"	14-1/16"
951	1-5/8"	6-3/8"	6-13/16"
952	1-5/8"	8-3/16"	8-5/8"
953	1-5/8"	10"	10-7/16"
954	1-5/8"	11-13/16"	12-1/4"
955	1-5/8"	13-5/8"	14-1/16"
956	1-5/8"	15-7/16"	15-7/8"
957	1-5/8"	17-1/4"	17-11/16"
958	1-5/8"	19-1/16"	19-1/2"

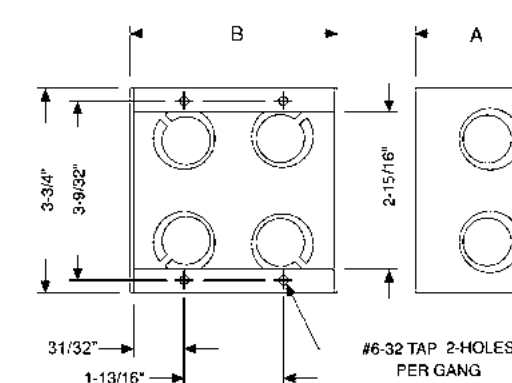
CONCRETE RINGS AND MASONRY BOXES

STEEL CONCRETE RINGS



KNOCKOUT SIZE	DIMENSIONS	
	A	B
1/2" & 3/4"	1/2"	3/4"
3/4" & 1"	3/4"	1"

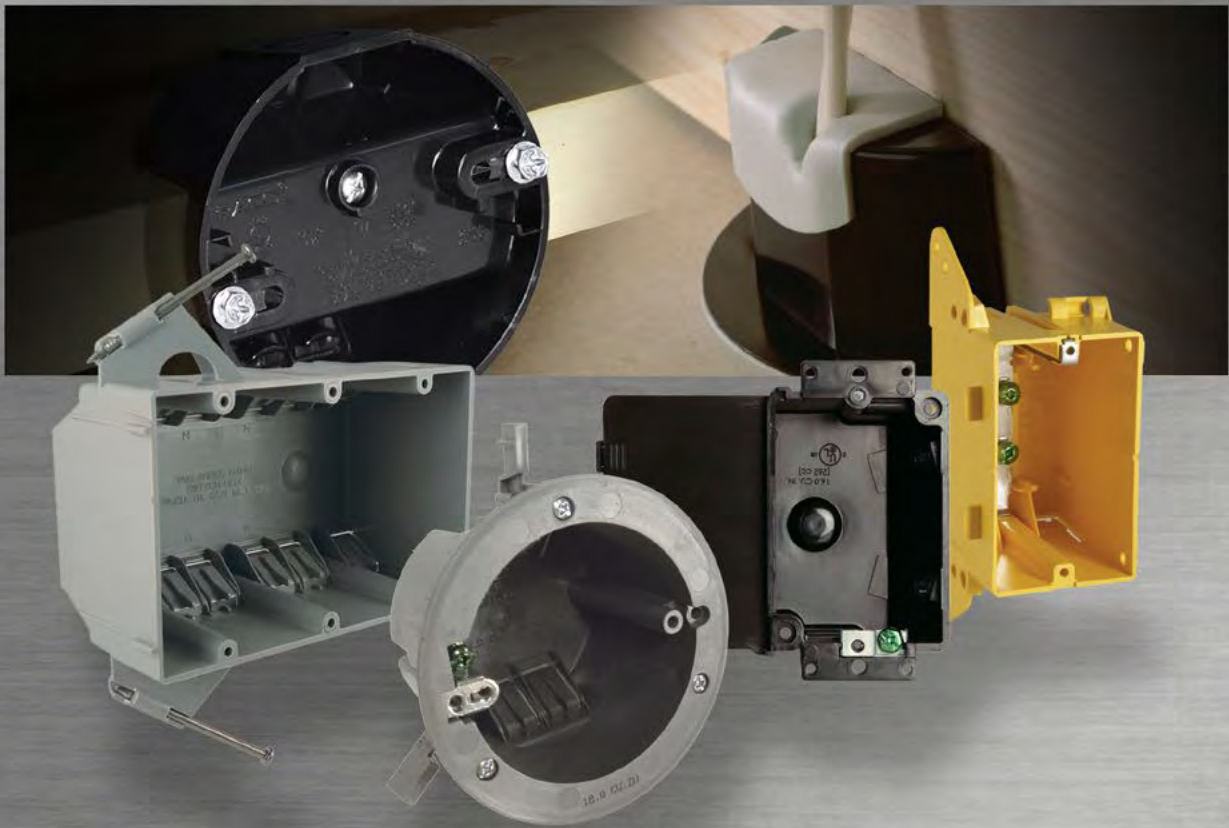
STEEL MASONRY BOXES



CAT. #	DIMENSIONS	
	A (INSIDE)	B
688	2-1/2"	1-15/16"
690	2-1/2"	1-31/32"
691	2-1/2"	3-25/32"
692	2-1/2"	5-19/32"
693	2-1/2"	7-13/32"
694	2-1/2"	9-7/32"
960	2-1/2"	11-1/32"
689	3-1/2"	5-19/32"
695	3-1/2"	1-31/32"
8695	3-1/2"	1-31/32"
696	3-1/2"	3-25/32"
697	3-1/2"	5-19/32"
698	3-1/2"	7-13/32"
699	3-1/2"	9-7/32"
965	3-1/2"	11-1/32"



Nonmetallic Boxes, Covers and Accessories





STANDARDS, 2020 NATIONAL ELECTRICAL CODE®

MOST OFTEN REQUESTED SECTIONS OF THE 2020 NATIONAL ELECTRIC CODE®	HOW RACO® PRODUCTS HELP COMPLETE THE INSTALLATION
<p>314.27 (A) Boxes at Lighting Fixture Outlets. Boxes used at lighting fixture luminaire shall be designed for the purpose.</p>	<p>Our octagon boxes are designed for direct mounting of light fixtures of 6 lbs or less.</p> <p>Device boxes are designed for the mounting, (by #6-32 screws), of devices such as snap-switches and receptacles. They are not suitable for support other than for very lightweight devices, such as a smoke alarm unit. (See Article 314.27 (A) (1) or wall fixtures 6 lbs. or less [See 314.27 (A) (1) [Exception].</p>
<p>410.20 Space for Conductors. Canopies and outlet boxes taken together shall provide adequate space so that fixture conductors and their connecting devices can be properly installed.</p>	<p>When calculating the minimum cubic inch requirements for an outlet box, the canopy may be included in the calculation. However, the canopy of the fixture/fan needs to be marked with the cubic inch capacity. The volume of an unmarked canopy may be used at the discretion of the local authority having jurisdiction.</p>
<p>314.27 (B) Floor Boxes. Boxes listed specifically for this application shall be used for receptacles located in the floor. Exception: Boxes located in elevated floors of show windows and similar locations where the authority having jurisdiction judges them free from physical damage, moisture and dirt.</p>	<p>Only boxes that are UL Listed for the application may be fastened into the floor. RACO® floor boxes are in Section C in this catalog.</p>
<p>314.27 (C) Boxes at Fan Outlets. Boxes that support ceiling fans must be listed for that purpose.</p>	<p>At any ceiling outlet that is intended to have a ceiling (paddle) fan installed, a UL Listed outlet box rated for ceiling fan support must be used. RACO offers a complete line of products designed for various applications and mounting needs.</p>
<p>410.36 (A) Means of Support — Outlet Boxes. Where the outlet box or fitting will provide adequate support, a fixture shall be attached thereto or be supported as required by Section 314.27(A) (1) for boxes.</p>	<p>All outlet boxes that are intended to be used with fixtures are tested in accordance with UL 514A for steel boxes, UL 514C for plastic boxes. The test does provide an ample margin for safety.</p>
<p>406.12, 406.3B, 406.4 Tamper-Resistant Receptacles in dwelling units.</p>	<p>This prevents shocks to small children that like to insert keys, paper clips, etc. into the receptacle slots.</p>

NONMETALLIC CABLE BOXES



7302RAC, 7820RAC



7873RAC

CATALOG #	DESCRIPTION	CABLE KNOCKOUTS	STD. PKG.	BAR CODE
1-Gang with Captive Nails – For Nonmetallic Sheathed Cable				
7302RAC	2-3/4" Deep, 18.0 Cu. In. (294.9 cm³), Nails, 1/2" Setback	4	100	IIIIIIII
7820RAC	3-3/16" Deep, 20.3 Cu. In. (332.6 cm³), Nails, 1/2" Setback	4	100	IIIIIIII
7873RAC	3-1/2" Deep, 23.0 Cu. In. (376.8 cm³), Nails, 1/2" Setback	4	100	IIIIIIII

APPLICATIONS

- RACO® Nonmetallic cable boxes are used in branch circuit wiring to splice wires
- Accommodate wiring devices such as switches and receptacles
- Provide excellent protection for wiring system or devices

PRODUCT FEATURES

- RACO® Nonmetallic cable boxes provide the installer with a cost alternative that is lightweight and easy to install
- Single-gang boxes have knockouts that break out quickly and cleanly for faster installation
- Positioning tabs for fast accurate mounting on studs or joists
- Oversized nail support that resists hammer impact and prevents box deformation

STANDARD MATERIAL

- Made of heavy-duty PVC (Polyvinyl chloride) compound

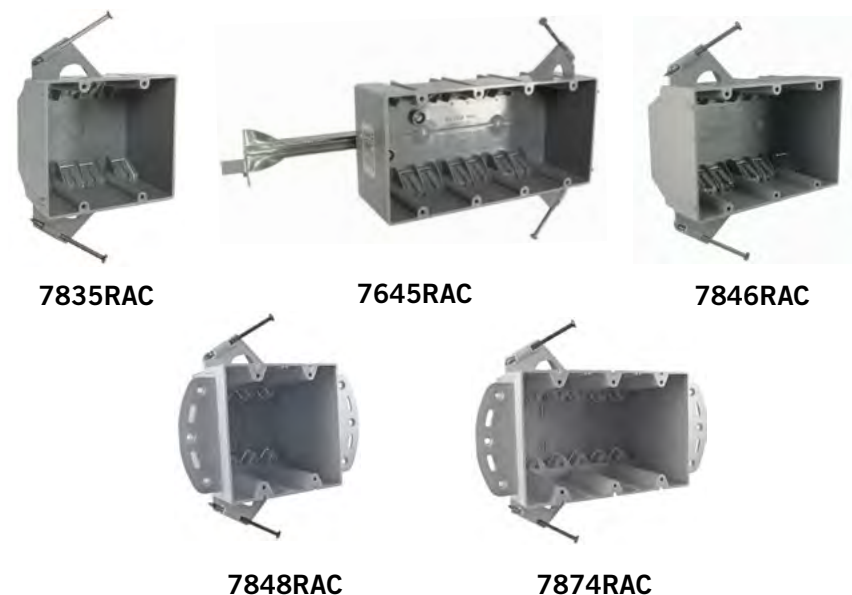
COMPLIANCES

- Standard 514C
- Boxes are listed for their Electrical Applications (Electrical Codes), UL Green Book
- Boxes are listed for mechanical properties, including the 2-hour Fire Rating, (building codes) UL Orange Book
- Federal Manufacturer's number 28488





NONMETALLIC CABLE BOXES



APPLICATIONS

- RACO® Nonmetallic cable boxes are used in branch circuit wiring to splice wires
- Accommodate wiring devices such as switches and receptacles
- Provide excellent protection for wiring system or devices

PRODUCT FEATURES

- RACO® Nonmetallic cable boxes provide the installer with a cost alternative that is lightweight and easy to install
- Self-clamping wire entry clamps
- Positioning tabs for fast accurate mounting on studs or joists
- Oversized nail support that resists hammer impact and prevents box deformation

STANDARD MATERIAL

- Made of heavy-duty PVC (Polyvinyl chloride) compound

COMPLIANCES

- Standard 514C
- Boxes are listed for their Electrical Applications (Electrical Codes), UL Green Book
- Boxes are listed for mechanical properties, including the 2-hour Fire Rating (except 7645RAC), (building codes) UL Orange Book
- Federal Manufacturer's number 28488

CATALOG #	DESCRIPTION	CABLE CLAMPS	CU. IN. CAP.	STD. PKG.	BAR CODE
2-Gang with Captive Nails for Wood Studs – For Nonmetallic Sheathed Cable					
7835RAC	2-29/32" Deep, Nails	8	32.5 (532.5 cm ³)	15	IIIIIIII
Multi-gang with Captive Nails for Wood Studs – For Nonmetallic Sheathed Cable					
7645RAC	2-5/8" Deep, 4-Gang, Nails, 1/2" Setback, Bracket Support	12	55.0 (901.2 cm ³)	25	IIIIIIII
7646RAC	2-3/4" Deep, 3-Gang, Nails, 1/2" Setback	12	44.0 (720.9 cm ³)	8	IIIIIIII
Multi-gang, Large Capacity, with Captive Nails – For Wood Stud or Face Mount to Wood or Metal Stud - Nonmetallic Sheathed Cable					
7848RAC	3-7/8" Deep, 2-Gang, Nails, 1/2" Setback, Bracket	8	48.0 (786.5 cm ³)	50	IIIIIIII
7847RAC	3-7/8" Deep, 3-Gang, Nails, 1/2" Setback, Bracket	12	74.0	50	IIIIIIII

NONMETALLIC CABLE BOXES



APPLICATIONS

- RACO® Nonmetallic cable boxes are used in branch circuit wiring to splice wires
- Accommodate wiring devices such as switches and receptacles
- Provide excellent protection for wiring system or devices

PRODUCT FEATURES

- RACO® Nonmetallic cable boxes provide the installer with a cost alternative that is lightweight and easy to install
- Single-gang boxes have knockouts that break out quickly and cleanly for faster installation
- Positioning tabs for fast accurate mounting on studs or joists

STANDARD MATERIAL

- Made of heavy-duty PVC (Polyvinyl chloride) compound

COMPLIANCES

- Standard 514C
- Listed (2001RAC)
- Boxes are listed for their Electrical Applications (Electrical Codes), UL Green Book
- Boxes are listed for mechanical properties, including the 2-hour Fire Rating, (building codes) UL Orange Book
- Federal Manufacturer's number 28488

CATALOG #	DESCRIPTION	CABLE KNOCKOUTS	STD. PKG.	BAR CODE
1-Gang with Brackets for Metal or Wood Studs – For Nonmetallic Sheathed Cable				
7308RAC	1-1/4" Deep, 8.0 Cu. In. (131.0 cm ³), 3/8" Setback, Bracket	2	25	IIIIIIII
7318RAC	1-1/4" Deep, 8.0 Cu. In. (131.0 cm ³), Flanged, 3/8" Setback	2	25	IIIIIIII
7717RAC	2-27/32" Deep, 20.0 Cu. In. (327.7 cm ³), Face Mount, 1/2" Setback	4	100	IIIIIIII





OLD WORK WALL BOXES



ROUND CABLE CEILING BOXES WITH CAPTIVE NAILS

NONMETALLIC CABLE BOXES



7887RAC



7488RAC



7122RAC



7922RAC

APPLICATIONS

- RACO® Nonmetallic cable boxes are used in branch circuit wiring to splice wires
- Accommodate wiring devices such as switches and receptacles
- Provide excellent protection for wiring system or devices

PRODUCT FEATURES

- RACO® Nonmetallic cable boxes provide the installer with a cost alternative that is lightweight and easy to install
- Self-clamping wire entry clamps
- Extra long, metal swing arms ensure secure installation
- RACO® 7122RAC and 7922RAC feature wrap-around metal clamp to secure box to sheetrock

STANDARD MATERIAL

- Made of heavy-duty PVC (Polyvinyl chloride) compound. 7122RAC and 7922RAC are polycarbonate

COMPLIANCES

- UL Standard 514C
- Boxes are listed for their Electrical Applications (Electrical Codes), UL Green Book
- Boxes are listed for mechanical properties, including the 2-hour Fire Rating, (building codes) UL Orange Book
- Federal Manufacturer's number 28488

CAT. #	DESCRIPTION & SETBACK	CABLE CLAMPS	STD. PKG.	BAR CODE
Old Work Cable Boxes – For Nonmetallic Sheathed Cable				
7887RAC	1-Gang, 2-29/32" Deep, 14.0 Cu. In. (229.4 cm³), Flush Mount	4	50	IIIIIIII
7488RAC	2-Gang, 2-3/4" Deep, 25.0 Cu. In. (409.6 cm³), Flush Mount	6	30	IIIIIIII
7122RAC	3-1/2" Round, 2-13/16" Deep, 18.0 Cu. In. (294.9 cm³), Flush Mount, Recommended Max. Support Loads - 6 Fixture Lbs. (Static)	4	100	IIIIIIII
7922RAC	3-1/2" Round, 2-13/16" Deep, 18.0 Cu. In. (294.9 cm³), Flush Mount, Ground Plate	4	100	IIIIIIII



7220RAC



7232RAC



978



980 BOX-LOC®

CAT. #	DESCRIPTION & SETBACK	CABLE CLAMPS	STD. PKG.	BAR CODE
4" Square Boxes – For Nonmetallic Sheathed Cable				
7220RAC	1-5/8" Deep, 18.0 Cu. In. (294.9 cm³), Nails	8	8	IIIIIIII
7232RAC	2-5/8" Deep, 32.0 Cu. In. (524.3 cm³), Nails	10	8	IIIIIIII

CAT. #	DESCRIPTION	STD. PKG.	BAR CODE
Accessories			
978	Far-side Box Support	50	—
980	BOX-LOC Metal Stud Clip	50	IIIIIIII

NONMETALLIC CABLE BOXES



7119RAC



7919RAC



7823RAC



7824RAC

APPLICATIONS

- RACO® Nonmetallic cable boxes are used in branch circuit wiring to splice wires
- Provide excellent protection for wiring system or devices
- For use wherever lighting fixture canopies are to be installed
- Ceiling boxes on this page are not designed for ceiling fan support

PRODUCT FEATURES

- RACO® Nonmetallic cable boxes provide the installer with a cost alternative that is lightweight and easy to install
- Self-clamping wire entry clamps
- Round fixture boxes offer an optional front-mounted grounding screw
- Oversized nail support that resists hammer impact and prevents box deformation

STANDARD MATERIAL

- Made of heavy-duty engineered compound. Base material is polycarbonate

COMPLIANCES

- UL Standard 514C
- Boxes are listed for their Electrical Applications (Electrical Codes), UL Green Book
- Boxes are listed for mechanical properties, including the 2-hour Fire Rating, (building codes) UL Orange Book
- Federal Manufacturer's number 28488

CAT. #	DESCRIPTION & SETBACK	CABLE CLAMPS	STD. PKG.	RECOMMENDED MAX. SUPPORT LOADS		BAR CODE
				Ceiling Fan (dynamic)	Fixture Lbs (static)	
3-1/2" Round Ceiling Boxes – With Captive Nails, For Nonmetallic Sheathed Cable						
7119RAC	2-5/8" Deep, 18.0 Cu. In. (294.9 cm³), 1/2" Setback, Nails	4	75	—	50	IIIIIIII
7919RAC	2-5/8" Deep, 18.0 Cu. In. (294.9 cm³), 1/2" Setback, Nails, Ground Plate	6	75	—	50	IIIIIIII
4" Round Ceiling Boxes – With Captive Nails, For Nonmetallic Sheathed Cable						
7823RAC	2-3/8" Deep, 20.0 Cu. In. (327.7 cm³), Ground Plate, 3/8" Setback, Nails	4	75	—	50	IIIIIIII
7824RAC	2-3/8" Deep, 20.0 Cu. In. (327.7 cm³), 3/8" Setback, Nails	4	75	—	50	IIIIIIII





NONMETALLIC CABLE BOXES



APPLICATIONS

- RACO® Nonmetallic cable boxes are used in branch circuit wiring to splice wires
- Provide excellent protection for wiring system or devices
- RACO® 7907, 7307, 7825, 7826RAC are not designed for ceiling fan support

PRODUCT FEATURES

- RACO® Nonmetallic cable boxes provide the installer with a cost alternative that is lightweight and easy to install
- Self-clamping wire entry clamps
- Round fixture boxes offer an optional front-mounted grounding screw
- For use wherever fans (Cat. #7120, 7120-1, 7120-VB only) or lighting fixture canopies are to be installed

STANDARD MATERIAL

- Made of heavy-duty engineered compound. Base material is polycarbonate

COMPLIANCES

- UL Standard 514C
- All versions of RACO 7120 are UL approved for nonmetallic wiring systems
- Boxes are listed for their Electrical Applications (Electrical Codes), UL Green Book
- Boxes are listed for mechanical properties, including the 2-hour Fire Rating, (building codes) UL Orange Book
- Federal Manufacturer's number 28488

CAT. #	DESCRIPTION & SETBACK	CABLE CLAMPS	STD. PKG.	RECOMMENDED MAX. SUPPORT LOADS		BAR CODE
				Ceiling Fan (dynamic)	Fixture Lbs (static)	
3-1/2" Round Ceiling Set-up – For Spanning From Joist to Joist For Nonmetallic Sheathed Cable						
7307*	2-5/8" Deep, 18.0 Cu. In. (294.9 cm ³), 1/2" Setback, Nails	4	25	—	10 [Ⓛ]	IIIIIIII
7907*	2-5/8" Deep, 18.0 Cu. In. (294.9 cm ³), 1/2" Setback, Adj. 14-3/4" - 22-1/2", w/Ground Plate	4	25	—	10 [Ⓛ]	IIIIIIII
4" Round Ceiling Set-up – For Spanning From Joist to Joist For Nonmetallic Sheathed Cable						
7826RAC	2-3/8" Deep, 20.0 Cu. In. (327.7 cm ³), Adj. 14-3/4" - 22-1/2"	6	25	—	10 [Ⓛ]	IIIIIIII
7825	2-3/8" Deep, 20.0 Cu. In. (327.7 cm ³), Adj. 14-3/4" - 22-1/2", w/Ground Plate	6	25	—	10 [Ⓛ]	IIIIIIII

[Ⓛ] 10 Lbs. max. load recommended UL Rated for 50 Lbs. on 16" centers.



7120VB SADDLE-BOX®



7120 SADDLE-BOX®



7120-1 SADDLE-BOX®

CAT. #	DESCRIPTION & SETBACK	CABLE CLAMPS	STD. PKG.	RECOMMENDED MAX. SUPPORT LOADS		BAR CODE
				Ceiling Fan (dynamic)	Fixture Lbs (static)	
SADDLE-BOX® 4" Round Ceiling Fan & Fixture Box – For Nonmetallic Sheathed Cable or Conduit						
7120VB	12.5 Cu. In. (204.8 cm ³)	4	24	70	210	IIIIIIII
7120*	12.5 Cu. In. (204.8 cm ³)	4	20*	70	210	IIIIIIII
7120-1	12.5 Cu. In. (204.8 cm ³)	4	24	70	210	IIIIIIII

* Packaged in a stackable, individual chipboard display cartons.

NONMETALLIC SHALLOW CABLE BOXES



CAT. #	DESCRIPTION	STD. PKG.	BAR CODE
1-Gang Shallow Trailer Box – For Nonmetallic Sheathed Cable			
7322RAC	1-3/4" Deep, 16.0 Cu. In. (262.1 cm ³)	50	IIIIIIII
7322-OW	1-3/4" Deep, 16.0 Cu. In. (262.1 cm ³), Old work wings	50	IIIIIIII

APPLICATIONS

- RACO® Nonmetallic cable boxes are used in branch circuit wiring to splice wires
- Provide excellent protection for wiring system or devices
- Accommodate wiring devices such as switches and receptacles
- Great for use in trailer applications

PRODUCT FEATURES

- RACO® Nonmetallic cable boxes provide the installer with a cost alternative that is lightweight and easy to install
- Self-clamping wire entry clamps
- All outlet boxes have a front-mounted grounding screw with combination straight/Robertson head
- Positioning tabs provide fast, accurate mounting on studs or joists
- grounding screw provided

STANDARD MATERIAL

- Made of high strength Noryl®
- Noryl® is a registered trademark of General Electric Corporation

COMPLIANCES

- UL Specifications C22.2 #18
- Federal Manufacturer's number 28488





NONMETALLIC CABLE BOXES



2011FBAR 2002FBAR 2003FBAR 2027FBAR 7120VB SADDLE-BOX®

APPLICATIONS

- Vapor barrier boxes prevent unwanted penetration of exterior air and help maintain the existing interior environment from elements outside of the structure
- RACO® Nonmetallic vapor barrier cable boxes provide the installer with a cost alter-native that is lightweight and easy to install
- RACO® Nonmetallic cable boxes are used in branch circuit wiring to splice wires
- Accommodate wiring devices such as switches and receptacles
- Serve as fixture support
- Provide excellent protection for wiring system or devices
- RACO® 2027FBAR is not designed for ceiling fan support

PRODUCT FEATURES

- Self-clamping wire entry clamps
- 2027-FBAR and 7120VB boxes have a front-mounted grounding screw with combination straight/Robertson head
- Vapor/air barrier flange and integral wire entry seal provides superior energy savings and quick installation
- Hands free installation
- For 1/2", 5/8", or 3/4" drywall
- Unique saddle design straddles standard joists - 7120VB
- 7120VB prevents unwanted penetration of exterior air and helps maintain the existing interior environment from the elements outside the structure
- Fits any 1-1/2" wide joist

CAT. #	DESCRIPTION & SETBACK	CABLE CLAMPS	STD. PKG.	RECOMMENDED MAX. SUPPORT LOADS		BAR CODE
				Ceiling Fan (dynamic)	Fixture Lbs (static)	
Vaper Barrier Cable Boxes						
2011FBAR	2-3/4" Deep, 18.0 Cu. In. (294.9 cm ³), 1/2" Setback	4	50	—	50	
2002FBAR	2-3/4" Deep, 37.0 Cu. In. (606.2 cm ³), 1/2" Setback	8	50	—	50	
2003FBAR	2-3/4" Deep, 51.0 Cu. In. (294.9 cm ³), 1/2" Setback	12	25	—	50	
4" Round Vapor Barrier Cable Box – For Ceiling						
2027FBAR	2-5/8" Deep, 27.15 Cu. In. (444.8 cm ³), 1/2" Setback	4	36	—	50	
4" Round Vapor Barrier Cable Box – For Ceiling						
7120VB	2-5/8" Deep, 12.5 Cu. In. (204.8 cm ³), 1/2" Setback	4	24	70	210	

STANDARD MATERIAL

- Made of high strength Noryl®
- Noryl® is a registered trademark of General Electric Corporation

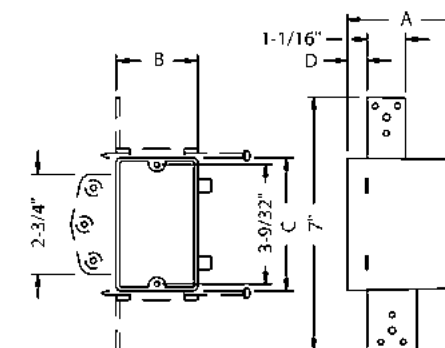
COMPLIANCES

- Specifications C22.2 #18 - 2011FBAR, 2002FBAR, 2003FBAR, 2008FBAR
- Federal Manufacturer's number 28488

NONMETALLIC CABLE BOXES

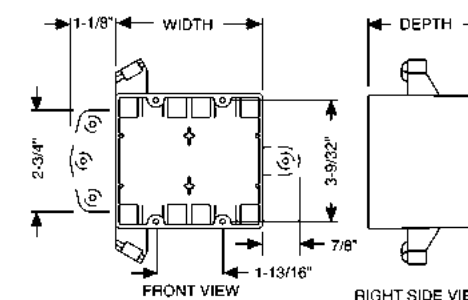
Nonmetallic Outlet Boxes

CATALOG NUMBER	A	B	C	D
7302RAC	2-3/4"	2-1/4"	3-19/32"	1/2"
7820RAC	3-3/16"	2-1/4"	3-19/32"	1/2"
7873RAC	3-1/2"	2-1/4"	3-19/32"	1/2"
7308RAC	1-1/4"	2-3/8"	3-1/2"	3/8"
7318RAC	1-1/4"	2-3/8"	3-1/2"	—
7717RAC	2-27/32"	2-1/4"	3-19/32"	1/2"
7848RAC	2-27/32"	2-1/4"	3-19/32"	5/8"
7874RAC	3-3/16"	2-1/4"	3-19/32"	5/8"



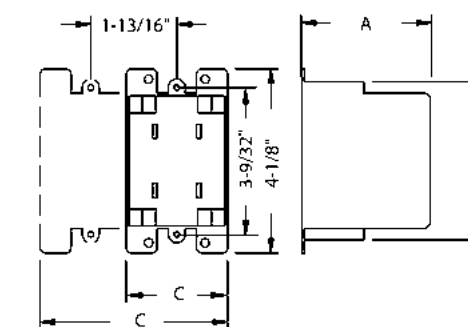
Multi-gang Outlet Boxes

CATALOG NUMBER	GANG	WIDTH	DEPTH
7835RAC	2	4"	2-29/32"
7645RAC	4	7-5/8"	2-5/8"
7846RAC	3	5-7/8"	2-3/4"
7848RAC	2	4"	3-31/32"
7874RAC	3	8-7/16"	3-31/32"



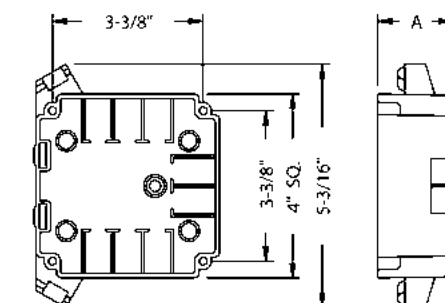
Old Work Nonmetallic Outlet Boxes

CATALOG NUMBER	GANG	A	B	C
7887RAC	1	2-29/32"	3-1/8"	2-1/4"
7488RAC	2	2-3/4"	4"	3"

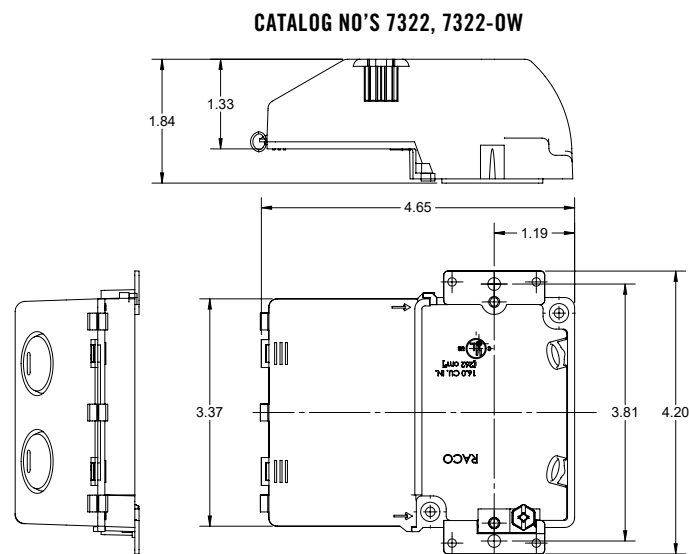
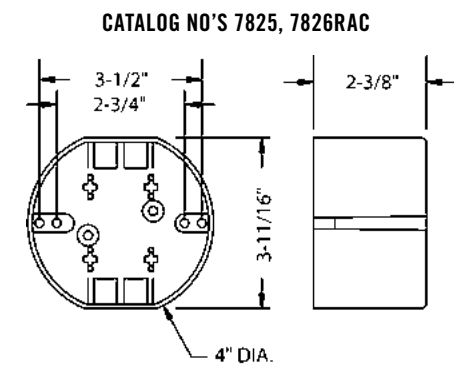
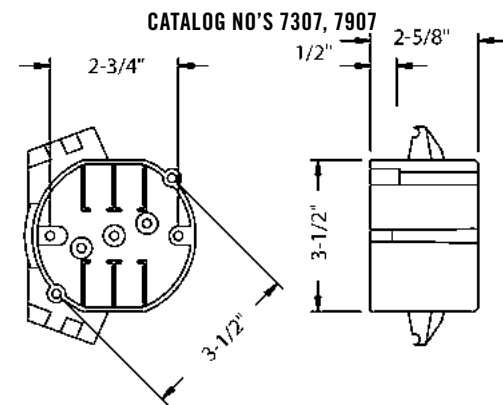
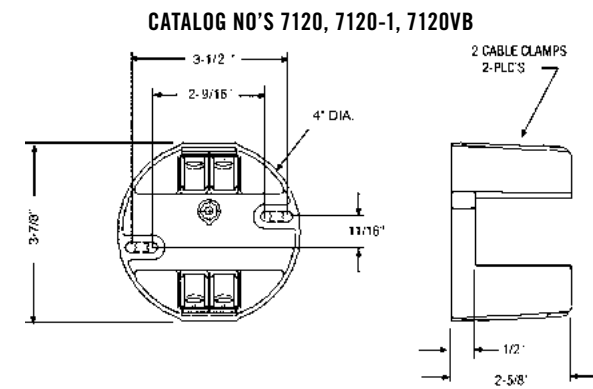
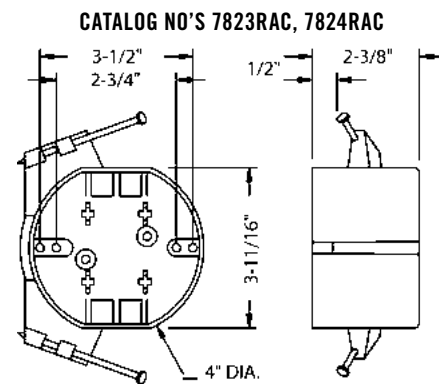
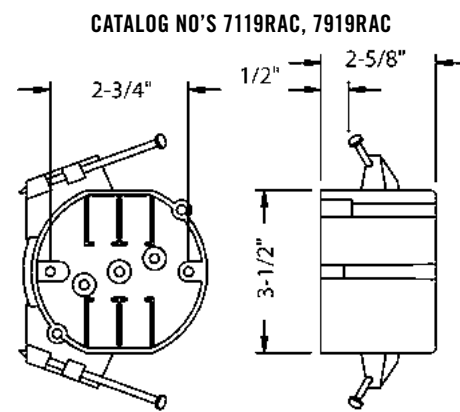
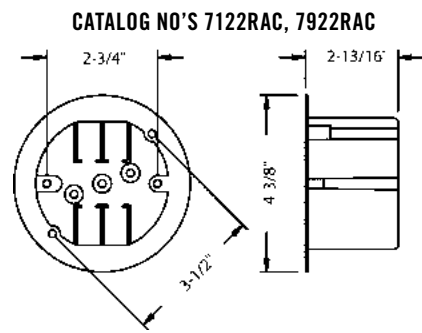


4" Square with Captive Nails for Metal or Wood Studs

CATALOG NUMBER	A (DEPTH)
7220RAC	1-5/8"
7232RAC	2-5/8"



NONMETALLIC CABLE BOXES



Floor Boxes



GENERAL INFORMATION

RACO® floor boxes are ideally suited for heavy floor traffic applications, such as shopping malls, retail stores, banks and schools. Floor boxes are installed in poured concrete floors and are fed with conduit. RACO's complete line includes both single service and three-service (power and voice/data) floor boxes, which are available in cast iron, stamped steel and PVC plastic. Floor box covers and carpet flanges are offered in brushed brass and textured thermoplastic in two designer colors, ivory and gray. RACO floor boxes:

- Are used in branch circuit wiring
- Accommodate wiring devices such as receptacles for voice/data
- Provide excellent protection for wiring system or devices
- Must be closed with a cover
- Permit access to conductors for maintenance

NON-ADJUSTABLE STYLE FEATURES

This type of box has no means for adjustment. It is usually installed in wooden floors or used for retrofit in concrete:

RACO quality non-adjustable floor boxes feature:

- Rugged cast iron for strength and ground continuity
- Factory-installed ground wire
- Simple one-piece floor box design offers flexibility for power outlet or voice/data outlets
- Conveniently positioned conduit entries are tapped and plugged

FULLY-ADJUSTABLE FLOOR BOX FEATURES

This type of box has leveling screws for height and leveling adjustments to be made before the concrete is poured, and final leveling adjustments after the concrete is poured. The maximum leveling adjustment is a 7° tilt.

Fully-adjustable floor boxes feature:

- Concrete-tight floor boxes for use in power or voice/data
- Cast Iron boxes classified as watertight and concrete-tight, typically used below grade where excessive moisture is present.
- Choice of materials - stamped steel or cast iron
- Cast iron floor box including factory installed ground wire, and multiple gang boxes with one ground wire per gang
- Multiple gang boxes provided with low voltage partitions
- Ample wiring space for any combination of power outlet or voice/data outlets

STANDARD MATERIALS

- Nonmetallic floor box is made of heavy-duty PVC (Polyvinyl chloride) compound. Base material is recycled
- Steel floor boxes are made of .0625 inch thick steel
- Cast iron floor boxes are made from cast iron having a high tensile strength
- Solid brass covers and carpet flanges
- Nonmetallic floor box covers and carpet flanges are made of high strength thermoplastic (ABS)

STANDARD FINISHES

- Natural gray finish on nonmetallic floor box
- Nonmetallic floor box covers and carpet flanges are available in gray powder coat paint finish
- Steel boxes have a zinc coating
- Cast iron floor boxes have a gray powder coat paint finish
- Solid brass covers and carpet flanges have a brushed finish

COMPLIANCES

Floor boxes are subject to the same code requirements and minimum conductor fill requirements as other boxes. RACO floor boxes carry the following compliances:

- UL Standard 514-A
- Boxes are listed for their Electrical Applications (Electrical Codes), UL Green Book
- Federal Manufacturer's number 28488

REFERENCE DATA

- Minimum wiring capacity calculation can be found on pages A8 of this catalog

FLOOR BOX INSTALLATION

Installing a fully-adjustable floor box in a poured concrete floor: RACO provides with all box assemblies or flanges a metallic concrete cover. The concrete cover permits pouring concrete to the top of the box. The cover is then easily removed after the pour. To install the box:

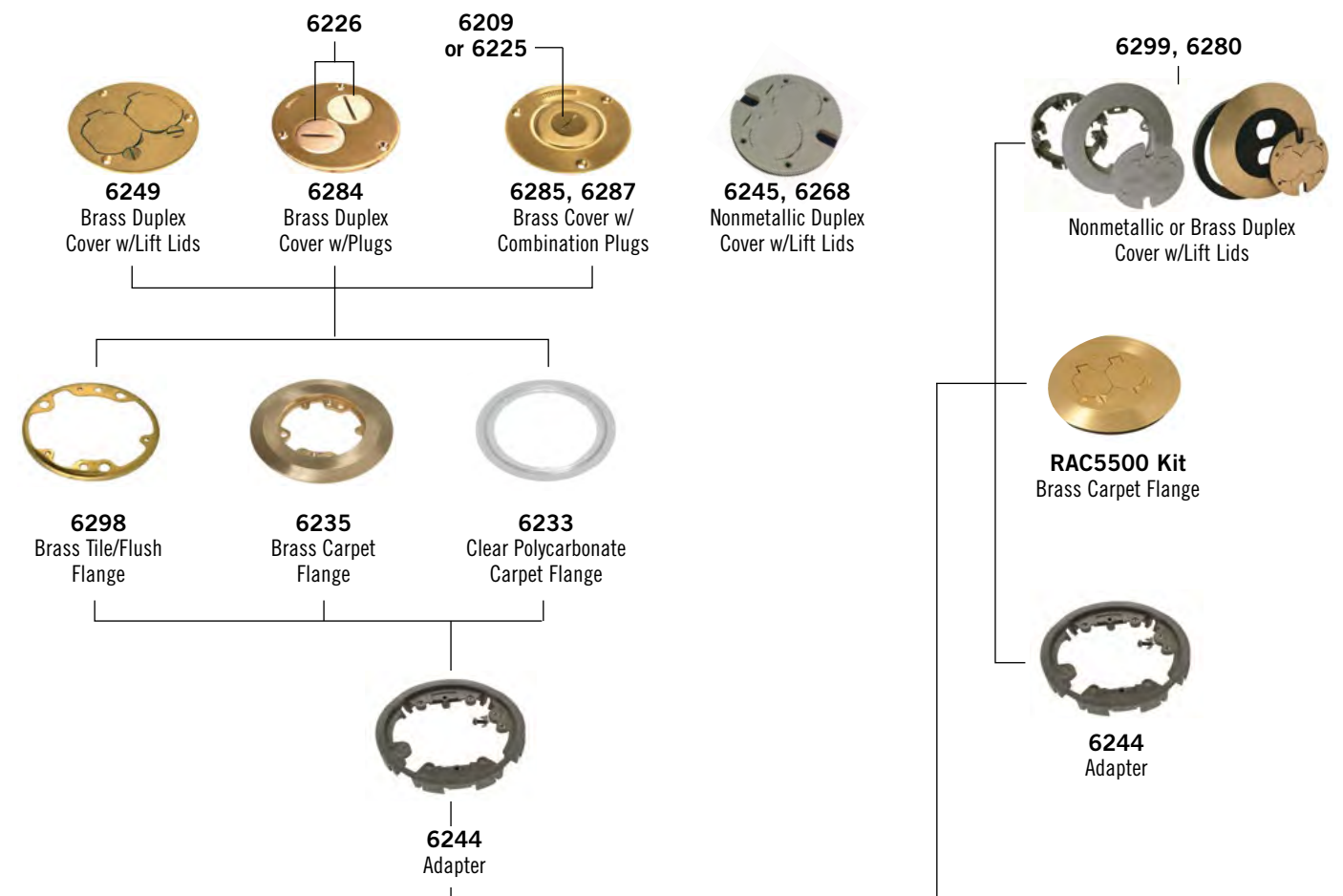
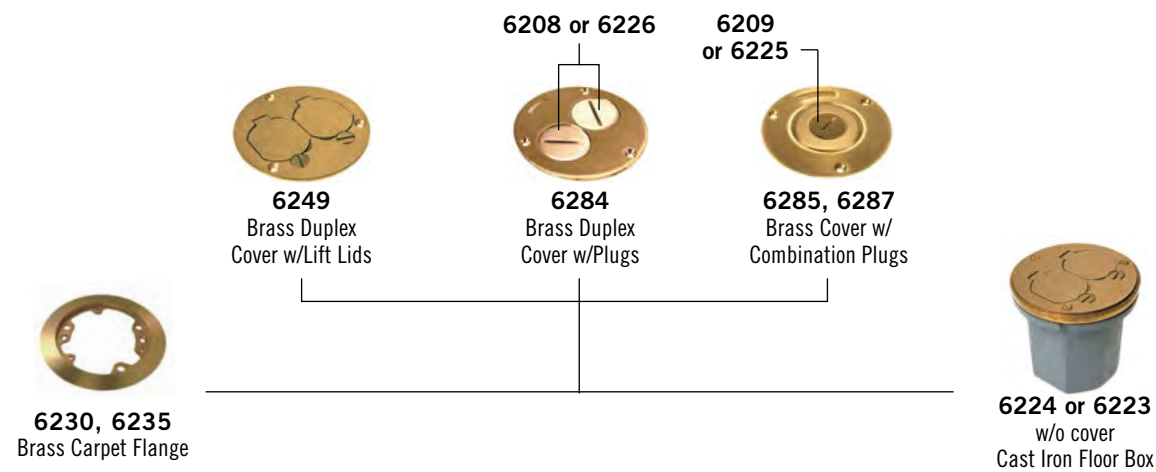
- Locate box and install conduit in accordance with local codes
- Secure box to reinforcing bar (mesh)
- Make pre-pour height and leveling adjustments
- Grease inside of cement cover and install on box
- Grease outside of cement cover
- Apply bead of grease on exposed portion of adjusting collar
- Tape cement cover to box
- Pour concrete
- After the concrete has set, remove the concrete cover
- Pull wires and install wiring device
- Make final pour adjustments, and grout around the box if required
- Install cover plates and/or accessories

STANDARDS, 2020 NATIONAL ELECTRICAL CODES®

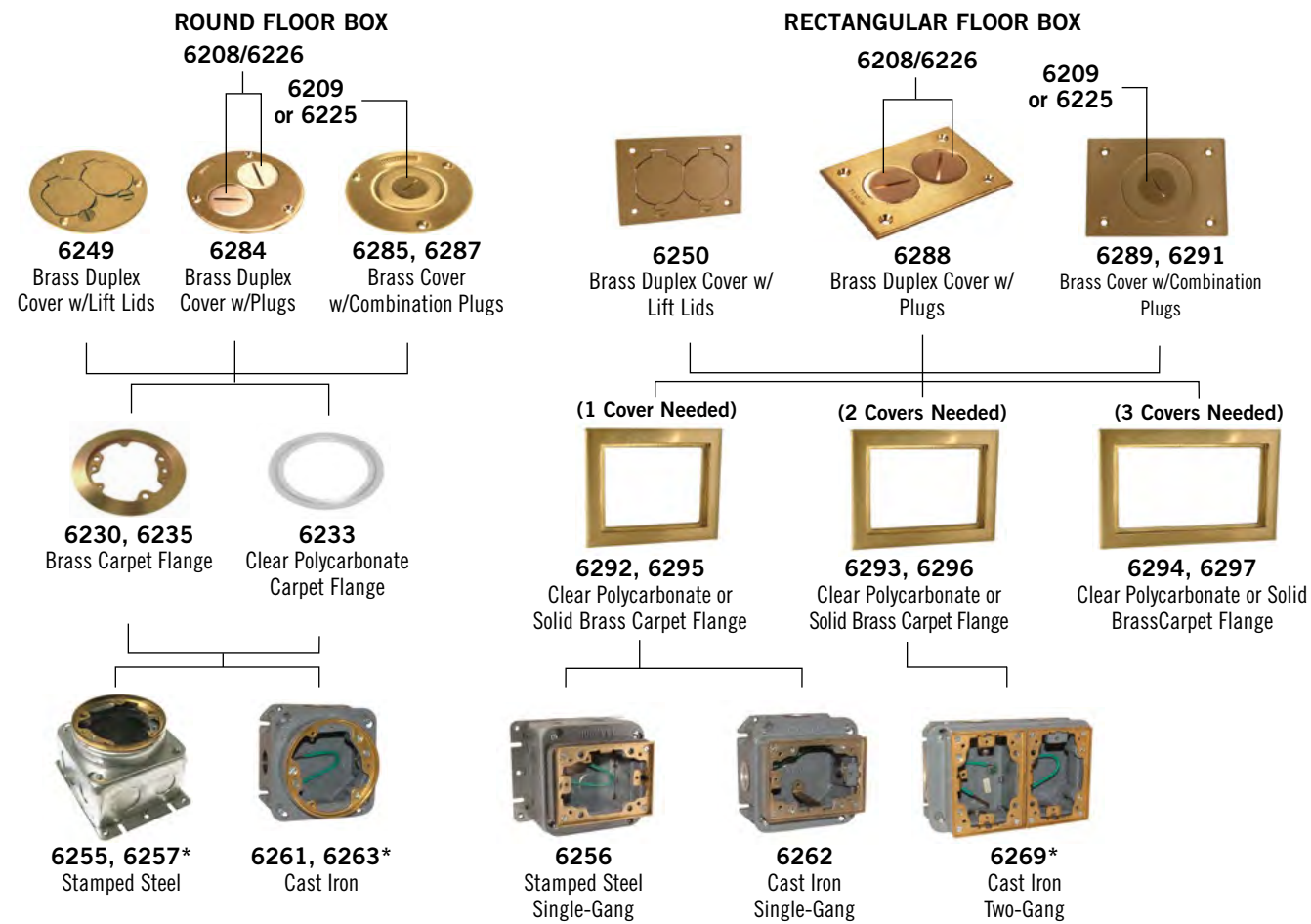
SUMMARY OF THE MOST OFTEN REQUESTED SECTIONS OF THE 2020 NATIONAL ELECTRICAL CODE®	HOW RACO® PRODUCTS HELP COMPLETE THE INSTALLATION
210-52 (a) Dwelling Unit Receptacle Outlets - General Provisions. In every kitchen, family room, dining room, living room, parlor, library, den, sun room, bedroom, recreation room, or similar room or area of dwelling units, receptacle outlets shall be installed so that no point along the floor line in any wall space is more than 6 feet, measured horizontally, from an outlet in that space, including any wall space 2 feet or more in width and the wall space occupied by fixed panels in exterior walls, but excluding sliding panels in exterior walls. The space afforded by fixed room dividers, such as freestanding bar-type counters or railings, shall be included in the 6-foot measurement.	Every 6 feet along the wall surface there should be a receptacle outlet regardless of the room within the dwelling. The purpose of this Article is to eliminate extension cords that are used within the dwelling. Electrically overloaded extension cords are often a source of fires. Installation of a RACO floor box may help alleviate the need for extension cords by locating receptacles where no wall outlets are installed. Receptacle outlets in floors can be counted as part of the required number of receptacles if they are within 18 inches of the wall.
250-146 Connecting Receptacle Grounding Terminal to Box. An equipment bonding jumper shall be used to connect the grounding terminal of a grounding-type receptacle to a grounded box. Exception (c): Floor boxes designed for and listed as providing satisfactory ground continuity between the box and the device.	All RACO floor boxes are designed and listed for having ground continuity without an equipment bonding jumper. RACO does provide on all of its cast floor boxes a factory-installed ground wire.
314.27(B) Outlet Boxes —Floor Boxes. Boxes listed specifically for this application shall be used for receptacles located in the floor. Exception: Boxes located in elevated floors of show windows and similar locations where the authority having jurisdiction judges them to be free from physical damage, moisture, and dirt.	Only boxes that are UL Listed for the application may be fastened into the floor.
800.133 (A) (1) (d) Installation of Communications Wires, Cables, and Equipment — Electric Light or Power Circuits. Communications conductors shall not be placed in any raceway, compartment, outlet box, junction box, or similar fitting with conductors of electric light or power circuits or Class 1 circuits.	This section applies when power and voice/data are brought to one enclosure. A means of dividing the wiring is required. Voltage dividers are available for the following floor box types: PVC floor box and rectangular fully-adjustable.

NONADJUSTABLE FLOOR BOX SYSTEM

PVC FLOOR BOX SYSTEM



FULLY ADJUSTABLE FLOOR BOX SYSTEM



* Included brass tile ring must be removed and discarded before installation of brass carpet flanges. Polycarbonate flanges are installed between box and included brass ring.

* Nonmetallic Box – Multi-Service Option: A voltage separation units allows the nonmetallic box to be used for telephone/data service as well as power. As shown, the unit has two pieces. The lower portion has openings on opposite sides for power wires and ramps on the other two sides for telephone/data wires. Power wires run inside tube and attach to duplex receptacle. Telephone/data wires run outside of tube and pass through grommet(s) in the cover. Before installing lower part of voltage separation unit, cut off the same amount from the tube as you cut off the box. Complete the installation of the carpet flange, duplex receptacle and cover.

FOR CONCRETE POUR - NONMETALLIC



5511

6234

5574

6244

APPLICATIONS

- Used in branch circuit wiring
- Accommodate wiring devices for various receptacles
- Permit access to conductors for maintenance

GENERAL FEATURES

- RACO® Nonmetallic floor box has been engineered from the inside out with features that reduce installation time and offer increased capabilities from one box in power, voice and data
- Hubbell® nonmetallic floor boxes are economical to install and easy to level off
- A wide choice of cover materials and finishes are available
- 3" minimum pour depth

LOW VOLTAGE DIVIDER FEATURES

- Installs inside 5511 floor box for multi-service applications. Use separate conduit runs for power and voice/data cables
- Accepts Hubbell® standard duplex receptacles or 15A Twist-Lok® duplex receptacles (HBL 4700 series)
- Power capacity - 19.6 cubic inches plus 2.40 cubic inches per inch of tube

CAT. #	DESCRIPTION	STD. PKG.	BAR CODE
Round Floor Box Cover and Accessories – Nonmetallic			
5511	19.5 Cu. In. Capacity per Inch of Height, 2 - 1" and 3/4" Openings	1	—
6234	Voltage Separation Unit, Optional	4	—
5574	3/4" Y Adapter, PVC	10	—
6244	Adapter Ring for all Nonmetallic and Brass Flanges	10	—

ADAPTER RING FEATURES

- High-strength rigid non-corrosive PVC construction
- Large capacity box: 100 cubic inches of volume (before cut)
- Molded T-slots permit the adapter ring to be secured to the box no matter where the box has been cut
- One-piece box with pre-molded conduit hubs
- RACO® Y-Adapter permits two parallel feeds of 3/4" conduit, or feed in/out of the same side

COMPLIANCE

- 514A

NONMETALLIC / ROUND



6299

6233

6245, 6268

CAT. #	DESCRIPTION	CARPET FLANGE O.S.DIA.	STD. PKG.	BAR CODE
Floor Box Cover Assembly Kits – Nonmetallic				
6299	Adapter, Nonmetallic Gray Carpet Flange, Gray Duplex Cover - Kit	6-1/2"	10	
Replacement Covers and Carpet Flanges – Nonmetallic				
6233	Clear Polycarbonate Carpet Flange	5-1/4"	15	
6245	Ivory Nonmetallic Duplex Cover with Lift Lids	—	10	—
6268	Gray Nonmetallic Duplex Cover with Lift Lids	—	10	—

APPLICATIONS

- RACO® Nonmetallic floor box covers and flanges provide a quick, simple method of completing floor box installation on carpeted floor

PRODUCT FEATURES

- RACO® Nonmetallic carpet flanges and covers are available in gray or in ivory finish
- Covers are outfitted with duplex flaps that automatically close when not in use, preventing breakage and eliminating a potential trip hazard
- Cover design keeps debris out when receptacles are not in use
- Hubbell® RACO® carpet flanges and covers install quickly and easily with provided screws
- 3-service floor box cover with duplex flap, two 1/2" diameter low-voltage knockouts. Each low-voltage knockout can accommodate up to (1) 25 pair telephone cable or (1) 50 wire data communication cable NOTE: Brass cover is not 3-service

COMPLIANCE

- 514A

FLOOR BOX COVERS AND FLANGES



APPLICATIONS

- Floor box flanges and covers are used to complete floor box installations on either carpet or tile

PRODUCT FEATURES

- Brass floor box covers are designed to be used with round RACO® carpet and tile flanges and RACO round full adjustable stamped steel and cast iron floor boxes
- Flanges are designed to be installed to RACO adapter ring, catalog number 6244
- 6230 is not designed to work with RACO 5511 nonmetallic floor box
- Hubbell® RACO® carpet flanges, tile flanges and covers install quickly and easily with provided screws
- Order of installation:
 1. Install RACO floor box
 2. Install nonmetallic adapter ring (if round 5511 nonmetallic box is used)
 3. Install device to box or 6244 adapter
 4. Install carpet or tile flange
 5. Install cover to carpet or tile flange

COMPLIANCES

- File E195978

CAT. #	DESCRIPTION	CARPET FLANGE O.S. DIAMETER	STD. PKG.	BAR CODE
Round, Solid Brass Floor Box Cover Kit				
RAC5500KIT	Round, Brass Cover Kit	6-1/4"	10	
6280	Brass Carpet Flange, Adapter and Duplex Cover Kit	6-1/2"	10	

CAT. #	DESCRIPTION	STD. PKG.	BAR CODE
3-7/8" Dia., Round Covers – Brass			
6249	Brass Duplex Cover with Lift Lids	40	
6284	Brass Duplex Cover with 2, 1-1/2" Threaded Plugs	40	
6285	Brass Cover with 2-1/8" x 1" Combination Plugs	40	
6287	Brass Cover with 2-1/8" x 3/4" Combination Plugs	40	

CAT. #	DESCRIPTION	CARPET FLANGE O.S. DIAMETER	STD. PKG.	BAR CODE
Carpet Flanges				
6230	Brass Carpet FLange, Mop-tight	5-1/4"	10	
6235	Brass Carpet Flange*	6-1/4"	10	

*6235 not UL Listed

CAT. #	DESCRIPTION	TILE FLANGE O.S. DIAMETER	STD. PKG.	BAR CODE
Tile Flange				
6298	Brass Tile/Flush Application Flange	4-3/16"	15	

FLOOR BOXES FOR WOOD FLOORS



CAT. #	THREADED / HUBS		CUBIC INCHES	STD. PKG.	BAR CODE
	SIDE	BOTTOM			
Duplex Receptacle Assembly					
6224	—	2-1/2"	18.5 (303.1 cm ³)	4	
Floor Box					
6223	—	2-1/2"	18.5 (303.1 cm ³)	4	

APPLICATIONS

- RACO® wood floor boxes provide flush service for power or voice/data
- Non-adjustable floor boxes may be used in wood or concrete floors and are suitable for carpet, tile or wood floor applications

PRODUCT FEATURES

- Boxes are non-adjustable
- Cast iron, water-tight
- Gray powder coat paint inside and out for additional corrosion resistance
- 1/2" and 3/4" threaded conduit openings are standard; all bottom openings are accessible
- If floor covering is used, discard included brass flush ring and replace with RACO® 6230 or 6235 brass carpet flange
- RACO® 6224 includes box, 6249 brass duplex cover with lift lids, and brass tile flange. Receptacle is not included
- RACO® 6223 - for use with any RACO 3-7/8" diameter brass cover (6249, 6284, 6285, 6287). Cover must be ordered separately, brass tile flange included

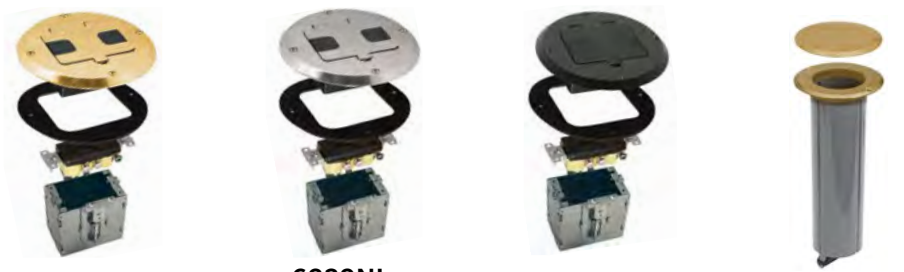
COMPLIANCE

- File E195978

FLOOR BOX ASSEMBLIES



6500BR-5 6500NI-5



6239BP 6239NI, 6239SS 6239BK 6RF151SR

APPLICATIONS

- Floor box kits are used to complete floor box installations on either carpet, tile, or wood floors

PRODUCT FEATURES: 6236 AND 5236

- back wiring - clamp type terminals accepts up to #10 wire
- 15A, 125V tamper resistant receptacle
- Brass finish cover plate is .058" thick, and 2-3/4" wide x 4-1/2" long

- 6236 includes 3-1/2" deep box

PRODUCT FEATURES: 6500BR

ANS 6500NI

- Contains low profile, 15A 125V tamper resistant receptacle

PRODUCT FEATURES: 6239BP, 6239NI, 6239SS AND 6239BK

- Can be used for power/data
- 15A, 125V tamper resistant receptacle
- Removable neoprene gaskets allow for independent use of either side of the receptacle with cover closed
- Recessed receptacle minimizes plug protrusion

PRODUCT FEATURES: 6RF151SR

- Has solid brass cover and flange
- 15A, 125V tamper resistant receptacle
- Self leveling, easy screw fastening

COMPLIANCES

- File E195978
-
- (6500BR & 6500NI only)

CAT. #	KNOCKOUTS / HUBS		CUBIC INCHES	STD. PKG.	BAR CODE
	SIDE CONDUIT	SIDE CONDUIT			
Rectangular, Metallic Floor Box Kit – Brass Finish or Nickel Finish Cover Plate					
6500BR-5	2 - 1/2"	4 - 1/2"	18.5 (303.1 cm ³)	5	
6500NI-5	2 - 1/2"	4 - 1/2"	18.5 (303.1 cm ³)	5	

CAT. #	DESCRIPTION	CUBIC INCHES	STD. PKG.	BAR CODE
Round, Recessed Floor Boxes – Brass, Nickel, Stainless or Black Finish				
6239BP	Round, Brass Finish	28.0 (458.9 cm ³)	10	
6239NI	Round, Nickel Finish	28.0 (458.9 cm ³)	10	
6239SS	Round, Stainless Steel Finish	28.0 (458.9 cm ³)	10	
6239BK	Round, Black Finish	28.0 (458.9 cm ³)	10	

CAT. #	DESCRIPTION	CUBIC INCHES	STD. PKG.	BAR CODE
Round, Recessed Floor Boxes – Brass, Nickel, Stainless or Black Finish				
6RF151SR	Round, Drop-in, Brass	16.0 (262.1 cm ³)	10	

CAT. #	DESCRIPTION	STD. PKG.	BAR CODE
Replacement Plug for Floor Box Assemblies			
RP6239BP	Replacement Plug for 5236/6236	50	
RP6500BR	Replacement Plug for 6500BR-5	50	
RP6500NI	Replacement Plug for 6500NI-5	50	

ROUND FLOOR BOXES



6255, 6257 6261, 6263

CAT. #	KNOCKOUTS / HUBS		MIN. DEPTH OF POUR	BEFORE POUR EXT. HT. ADJUST.	AFTER POUR INT. FINAL ADJUST.	CUBIC INCHES	STD. PKG.	BAR CODE
	SIDE	BOTTOM						
Fully Adjustable Floor Box – Stamped Steel								
6255	2 - 1/2", 2-3/4" 2 - 1", 2 - 1-1/4"	3 - 1/2" 2 - 3/4"	4"	1-1/4"	3/8"	54.0 (884.8 cm ³)	4	
6257	6 - 1/2", 4 - 3/4"	3 - 1/2"	3"	1-1/4"	3/8"	37.3 (611.2 cm ³)	4	
Fully Adjustable Floor Box – Cast Iron								
6261	4 - 3/4"	—	3-3/4"	1-1/4"	3/8"	33.0 (540.7 cm ³)	4	
6263	4 - 3/4"	—	3"	1-1/4"	3/8"	30.0 (491.5 cm ³)	4	

APPLICATIONS

- Round floor boxes provide flush service for power or voice/data
- Floor boxes may be used for carpet or tile floor applications

CAST IRON FLOOR BOX PRODUCT FEATURES

- Cast iron, water-tight body, fully adjustable
- Gray powder coat paint inside and out for additional corrosion resistance
- 3/4" threaded conduit openings are standard

STAMPED STEEL FLOOR BOXES PRODUCT FEATURES

- Stamped steel, concrete-tight, fully adjustable
- Zinc coated finish
- 1/2", 3/4", 1" and 1-1/4" knockouts; all bottom knockouts are accessible

GENERAL PRODUCT FEATURES

- Brass tile flange provided with box
- RACO® 6236 or 6235 carpet flange must be ordered separately (included brass tile ring must be discarded before installing carpet flange)
- RACO® 6249, 6284, 6285, 6287 brass cover must be ordered separately
- Interior and exterior leveling screws permit adjustment to meet finished floor
- Disposable concrete cap to prevent the entry of concrete during pour included

COMPLIANCES

- File E195978

RECTANGULAR FLOOR BOXES



6256



6262

APPLICATIONS

- RACO® rectangular series floor boxes are ideally suited for heavy floor traffic applications, such as malls, department stores, banks and schools
- Floor boxes are installed in poured concrete floors and are fed with conduit
- RACO® floor boxes are used in branch circuit wiring

**CAST IRON FLOOR BOX
PRODUCT FEATURES**

- Cast iron, water-tight body, fully adjustable
- Gray powder coat paint inside and out for additional corrosion resistance
- 3/4" threaded conduit openings are standard

**STAMPED STEEL FLOOR BOXES
PRODUCT FEATURES**

- Stamped steel, concrete-tight, fully adjustable
- Zinc coated finish

GENERAL PRODUCT FEATURES

- Brass tile flange provided with box
- RACO® 6292 or 6295 carpet flange must be ordered separately
- RACO® 6250, 6288, 6289 or 6291 brass cover must be ordered separately
- Interior and exterior leveling screws permit adjustment to meet finished floor
- Disposable concrete cap to prevent the entry of concrete during pour included

COMPLIANCES

- File E195978

CAT. #	KNOCKOUTS		MIN. DEPTH OF POUR	BEFORE POUR EXT. HT. ADJUST.	AFTER POUR INT. FINAL ADJUST.	CUBIC INCHES	STD. PKG.	BAR CODE
	SIDE	BOTTOM						
1-Gang Fully Adjustable Floor Box – Stamped Steel								
6256	2 - 1/2", 2-3/4"	3 - 1/2"	4"	1-1/4"	3/8"	54.0 (884.8 cm ³)	4	
	2 - 1", 2 - 1-1/4"	2 - 3/4"						
1-Gang Fully Adjustable Floor Box – Cast Iron								
6262	4 - 3/4"	—	3-3/4"	1-1/4"	3/8"	33.0 (540.7 cm ³)	4	

RECTANGULAR FLOOR BOXES



6269

CAT. #	THREADED / HUBS		MIN. DEPTH OF POUR	BEFORE POUR EXT. HT. ADJUST.	AFTER POUR INT. FINAL ADJUST.	CUBIC INCHES	STD. PKG.	BAR CODE
	SIDE	BOTTOM						
2-Gang Fully Adjustable Floor Box – Cast Iron								
6269	6-3/4"	—	3-3/4"	1-1/4"	5/8"	36.5 ea. Gang (598.0 cm ³)	1	—

APPLICATIONS

- RACO® rectangular series floor boxes are ideally suited for heavy floor traffic applications, such as malls, department stores, banks and schools
- Floor boxes are installed in poured concrete floors and are fed with conduit
- RACO® multiple-gang rectangular floor box series may be used for both single-service and three-service (power and voice/data) applications
- RACO® floor boxes are used in branch circuit wiring

**CAST IRON FLOOR BOX
PRODUCT FEATURES**

- Cast iron, water-tight body, fully adjustable
- Gray powder coat paint inside and out for additional corrosion resistance
- Interior and exterior leveling screws permit adjustment to meet finished floor
- Removable partitions included to meet larger capacity requirements on two and three gang boxes
- Disposable concrete cap to prevent the entry of concrete during the pour included
- 3/4" threaded conduit openings are standard
- RACO® 6250, 6288, 6289 or 6291 brass cover must be ordered separately

COMPLIANCES

- File E195978

FLOOR BOX COVERS AND FLANGES



APPLICATIONS

- RACO® rectangular floor box brass covers and flanges are used to complete floor box installations

PRODUCT FEATURES

- Rectangular brass covers are used with RACO single-gang, two-gang, and three-gang rectangular floor boxes
- Covers are 3" wide x 4-5/32" long
- Cover screw centers are 3-5/32" x 2-1/8"
- Rectangular carpet flanges are available in brass or clear polycarbonate

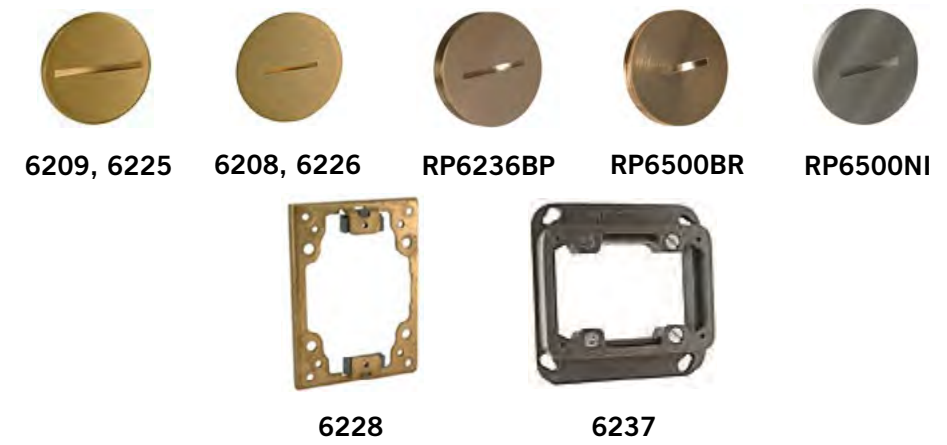
COMPLIANCES

- File E195978

CAT. #	DESCRIPTION	STD. PKG.	BAR CODE
Rectangular Floor Box Covers – Brass			
6250	Brass Duplex Cover with Lift Lids	40	IIIIIIII
6288	Brass Duplex Cover with 2, 1-1/2" Threaded Plugs	40	IIIIIIII
6289	Brass Cover with 2-1/8" x 1" Combination Plugs	40	IIIIIIII
6291	Brass Cover with 2-1/8" x 3/4" Combination Plugs	40	IIIIIIII

CAT. #	DESCRIPTION	STD. PKG.	BAR CODE
Rectangular Carpet Flanges – Polycarbonate and Brass			
6292	1-Gang, Brass	20	IIIIIIII
6295	1-Gang, Clear Polycarbonate	10	IIIIIIII
6293	2-Gang, Brass	10	—
6296	2-Gang, Clear Polycarbonate	10	—
6294	3-Gang, Brass	10	IIIIIIII
6297	3-Gang, Clear Polycarbonate	15	—

ACCESSORIES AND REPLACEMENT COVERS



CAT. #	DESCRIPTION	THREAD TYPE	FITS RACO BRASS COVER	STD. PKG.	BAR CODE
Fully Adjustable Floor Box – Stamped Steel					
6209	3/4" Crowned, Slotted Plug	—	6287, 6291	30	IIIIIIII
6225	1" Crowned, Slotted Plug	—	6285, 6289	20	IIIIIIII
6226	1-1/2" Flush Slotted Plug	Fine	6284, 6288	25	IIIIIIII
6208	2-1/8" Flush, Slotted Plug	Fine	6284, 6288	30	IIIIIIII

CAT. #	DESCRIPTION	STD. PKG.	BAR CODE
Replacement Plugs			
RP6236BP	Replacement Plug for 5236/6236	50	—
RP6500BR	Replacement Plug for 6500BR-5	50	—
RP6500NI	Replacement Plug for 6500NI-5	50	—

CAT. #	DESCRIPTION	STD. PKG.	BAR CODE
Replacement Cover Flange and Adjustable Collars			
6228	Rectangular Cover Flange	15	—
6237	Rectangular 1-Gang Replacement Adjustable Collar	10	—

APPLICATIONS

- Brass abandon plugs are sold separately for replacement in brass covers
- Split nozzle for 2-1/8" threaded cover consists of interlocking halves that provide a protective housing when assembled. The nozzle may be easily installed without removing an electrical plug from cord. Nozzle is brass colored plastic

SERVICE PEDESTALS AND ACCESSORIES



SERVICE PEDESTALS APPLICATIONS

- RACO® above-the-floor pedestals satisfy most service requirements
- These are the traditional metallic pedestals, offered as component parts to satisfy any combination of power or voice/data requirements

PRODUCT FEATURES

- Service pedestal housing die cast aluminum frame, aluminum housing
- Stainless steel face plates

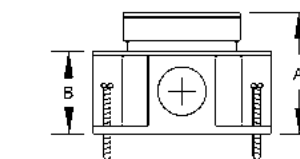
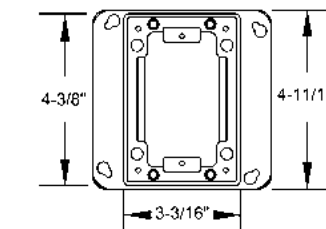
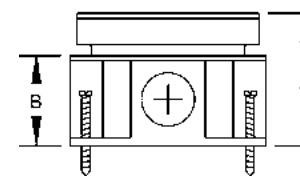
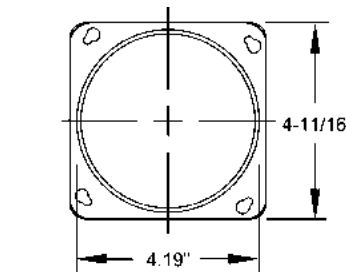
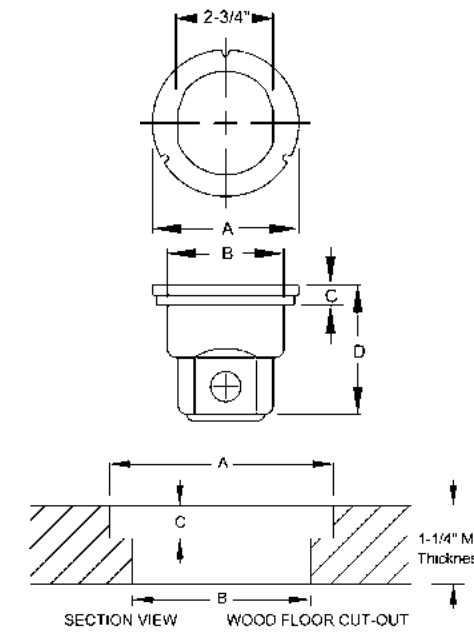
PEDESTAL CAPACITY CHART

- (Power or voice/data devices) In certain cases, the pedestal will accommodate two receptacles. In other cases, a device may be too deep, and the maximum capacity is one receptacle

CAT. #	DESCRIPTION	STD. PKG.	BAR CODE
Low-profile Service Pedestal Housing – Single Service for Power or Voice/Data			
6300	Frame Housing, 3/4" Chase Nipple, w/o Plates	4	
6301	Frame Housing, 1" Chase Nipple, w/o Plates	4	

CAT. #	DESCRIPTION	STD. PKG.	BAR CODE
Face Plates			
6310	Rectangular Cover Flange	25	
6311	Telephone Bushing with 1.00" ID and (2) 3/8" KO for Coaxial	25	
6312	Single Receptacle Plate with 1.39" Opening	25	
6313	Duplex Receptacle Plate	25	
6314	Decorator Style Receptacle Plate	25	
6315	Aluminum Plate with 1.11" KO	25	

MAX. # OF RECEPTACLES	DESCRIPTION	PLATE(S) QTY.	REQUIRED RACO CAT.#
Voice/Data Combinations			
1	Duplex Jack Outlet	1	6313, 6310
1	Decorator Style of Telephone Outlet	1	6314, 6310
2	Decorator Style of Telephone Outlet	2	6314
0	Bushed Opening	1	6311, 6310
Power Combinations			
2	Duplex Receptacles	2	6313
1	GFCI Receptacles	1	6314, 6310
1	Surge Duplex Receptacles	1	6314, 6310
2	Decorator Receptacles	2	6314
2	Single Receptacles	2	6312



FLOOR BOXES

Cast Iron Floor Boxes - Non Adjustable				
CATALOG NUMBER	A	B	C	D
6223	4.19"	3.39"	0.59"	3.75"
6224	4.19"	3.39"	0.59"	3.75"

Cast Iron Floor Boxes - Non Adjustable- Floor Cut-out Dimensions

Catalog Number	A	B	C
6224	4.1875"	3.4375"	0.625"

* If floor covering is used, vary counter bore depth accordingly.
NOTE: Minimum floor thickness is 1-1/4". You may need to add support under the floor around the floor box opening.

Round Floor Boxes - Adjustable

CATALOG NUMBER	A (MIN.)	A (MAX.)	B
6263	2.86"	3.19"	1.69"
6257	2.91"	3.29"	1.69"
6255	3.88"	4.26"	2.71"

1-Gang Floor Boxes - Adjustable

CATALOG NUMBER	A (MIN.)	A (MAX.)	B
6262	3.19"	3.57"	2.06"
6256	3.90"	4.28"	2.83"



Commercial Fittings

B





GENERAL INFORMATION

When you need to couple, connect, fasten, or ground conduit or cables, RACO® fittings are your best answer.

Choose from specification grade malleable iron, steel, lightweight aluminum, or die-cast zinc materials. Many are UL Listed as raintight, concrete-tight, or liquidtight.

PRODUCT FEATURES: RACO® FITTINGS

- Designed to save time on the job
- Locknuts won't slip or spin
- Premium set screws provide reliable continuity of ground
- Insulated throats protect conductor insulation during wire pulling

Fittings should be installed by licensed electricians in compliance with national and local electrical codes.

STANDARDS

Where applicable, RACO® products are engineered in accordance with the standards established by Underwriters' Laboratories (UL).

Most products are UL Listed and also Canadian Standards Association (CSA) certified. Dimensional data listed in this catalog is intended for general reference with broad tolerance limits.

RACO® fittings generally conform to Federal Specifications and Standards A-A-50552, A-A-50553A, A-A-50563A, NEMA FB1, U.L. 467, U.L. 514B, and CSA Standard C22.2 no.18.3. Note: ANSI Standard C80-4 has been cancelled and replaced by NEMA FB1.

Underwriters' Laboratories, Inc. file numbers: E195969 rigid, IMC and liquidtight fittings; E195970 EMT fittings; E195971 non-metallic sheathed cable fittings; E195972 service entrance cable fittings; E195966 armored and flexible metal cable fittings; E195973 outlet bushings and fittings; E195975 grounding and bonding equipment.

For Underwriters' Laboratories, Inc. and Canadian Standards Association listing marks, see RACO® product and carton labels.



For installation guidelines and to learn more about RACO products, visit the NEMA website at <http://www.nema.org>.

The National Electrical Manufacturers Association (NEMA) website is a valuable electrical resource providing the information you need - quickly. Standards and technical information, installation guides, industry news and economic trends, events/meetings, the latest electroindustry, and legislative and regulatory information for more than fifty-one product areas ranging from arc welding to x-ray machines can be found with just a few clicks of your mouse.

SET SCREW CONNECTORS - STEEL



Insulated Connectors



Uninsulated Connectors

INSULATED CATALOG #	UNINSULATED CATALOG #	TRADE SIZE	UNIT CARTON QTY.	SHIP CARTON QTY.	BAR CODE
Compression Connectors – Steel					
2122	2002	1/2"	50	500	—
2122-8	2002-8	1/2"	1	25	
2123	2003	3/4"	25	250	—
2123-8	2003-8	3/4"	1	20	
2124	2004	1"	25	100	—
2124-8	2004-8	1"	1	10	
2125	2005	1-1/4"	—	20	—
2126	2006	1-1/2"	—	20	—
2128	2008	2"	—	20	—
2160	2140	2-1/2"	—	5	—
2162RAC	2142	3"	—	1	—
2164	2144	3-1/2"	—	1	—
2166	2146	4"	—	1	—

APPLICATIONS

- For use in dry locations to bond EMT conduit to a box or enclosure
- RACO® steel set-screw connectors provide concrete-tight connections when taped
- RACO® set-screw connectors are suitable for applications above 600V

PRODUCT FEATURES

- All steel construction ensures mechanical protection for the raceway
- Tri-head screws (1/2" to 2" trade sizes) may be installed using a slotted, Phillips, or Robertson head screwdriver
- 2-1/2" to 4" trade sizes are also UL Listed for use on Rigid/IMC conduit, allowing for design and installation flexibility
- All components are zinc-electroplated for corrosion protection
- 1/2" to 1" trade sizes have one set-screw, 1-1/4" to 4" trade sizes have two set-screws
- UPC bar coded fittings are individually polybagged with a preprinted UPC-A bar code and packaged in pre-scored tear top cartons for attractive presentation

COMPLIANCES

- 1/2" - 2"**
- cUL_{us} - Standard 514B C22.2 # 18
- 2-1/2" - 4"**
- UL - Standard 514B UL Listed E195969, E195970





SET SCREW COUPLINGS - STEEL



Couplings

APPLICATIONS

- For use in dry locations to couple two ends of EMT conduit
- RACO® steel set-screw couplings provide concrete-tight connections when taped
- RACO® set-screw couplings are suitable for applications above 600V

PRODUCT FEATURES

- All steel construction ensures mechanical protection for the raceway
- Tri-head screws (1/2" to 2" trade sizes) may be installed using a slotted, Phillips, or Robertson head screwdriver
- 2-1/2" to 4" trade sizes are also UL Listed for use on Rigid/IMC conduit, allowing for design and installation flexibility
- All components are zinc-electroplated for corrosion protection
- UPC bar coded fittings are individually polybagged with a preprinted UPC-A bar code and packaged in pre-scored tear top cartons for attractive presentation

COMPLIANCES

- 1/2" - 2"**
- cUL_{us} - Standard 514B
C22.2 # 18
- 2-1/2" - 4"**
- UL - Standard 514B
UL Listed E195969, E195970

CATALOG #	TRADE SIZE	UNIT CARTON QTY.	SHIP CARTON QTY.	BAR CODE
Set Screw Couplings – Steel				
2022	1/2"	50	500	—
2022-8	1/2"	1	25	
2023	3/4"	25	250	—
2023-8	3/4"	1	20	
2024	1"	25	100	—
2024-8	1"	1	10	
2025	1-1/4"	5	25	—
2026	1-1/2"	—	20	—
2028	2"	—	20	—
2150	2-1/2"	—	5	—
2152	3"	—	1	—
2154	3-1/2"	—	1	—
2156	4"	—	1	—

COMPRESSION CONNECTORS - STEEL



Insulated Throat Connectors



Uninsulated Throat Connectors

INSULATED CATALOG #	UNINSULATED CATALOG #	TRADE SIZE	UNIT CARTON QTY.	SHIP CARTON QTY.	BAR CODE
Compression Connectors – Steel					
2912	2902	1/2"	50	500	—
2912-8	2902-8	1/2"	1	25	
2913	2903	3/4"	25	250	—
2913-8	2903-8	3/4"	1	20	
2914	2904	1"	25	100	—
2914-8	2904-8	1"	1	10	
2915	2905	1-1/4"	5	25	—
2916	2906	1-1/2"	—	20	—
2918	2908	2"	—	20	—
2960	2940	2-1/2"	—	5	—
2962	2942	3"	—	1	—
2964	2944	3-1/2"	—	1	—
2966	2946	4"	—	1	—

APPLICATIONS

- For use when bonding EMT conduit to a box or enclosure
- RACO® 1/2" to 4" connectors provide concrete-tight connections
- RACO® compression connectors are suitable for applications above 600V

PRODUCT FEATURES

- All steel construction ensures mechanical protection for the raceway
- All components are zinc-electroplated for corrosion protection
- UPC bar coded fittings are individually polybagged with a preprinted UPC-A bar code and packaged in pre-scored tear top cartons for attractive presentation

COMPLIANCE

- cUL_{us} - Standard 514B
C22.2 # 1
UL Listed E195970



COMPRESSION COUPLINGS - STEEL



Couplings

APPLICATIONS

- For use in dry locations to couple two ends of EMT conduit
- RACO® steel compression couplings provide concrete-tight connections
- RACO® compression couplings are suitable for applications above 600V

PRODUCT FEATURES

- All steel construction ensures mechanical protection for the raceway
- All components are zinc-electroplated for corrosion protection
- UPC bar coded fittings are individually polybagged with a preprinted UPC-A bar code and packaged in pre-scored tear top cartons for attractive presentation

COMPLIANCE

- - Standard 514B
C22.2 # 18
UL Listed E195970

CATALOG #	TRADE SIZE	UNIT CARTON QTY.	SHIP CARTON QTY.	BAR CODE
Compression Couplings – Steel				
2922	1/2"	50	500	—
2922-8	1/2"	1	25	
2923	3/4"	25	250	—
2923-8	3/4"	1	15	
2924	1"	25	100	—
2924-8	1"	1	10	
2925	1-1/4"	5	25	—
2926	1-1/2"	—	20	—
2928	2"	—	20	—
2950	2-1/2"	—	5	—
2952	3"	—	1	—
2954	3-1/2"	—	1	—
2956	4"	—	1	—

RAINTIGHT COMPRESSION CONNECTORS - STEEL



Insulated Connectors



Uninsulated Connectors

INSULATED CATALOG #	UNINSULATED CATALOG #	TRADE SIZE	UNIT CARTON QTY.	SHIP CARTON QTY.	BAR CODE
Compression Connectors, Raintight – Steel					
2912RT	2902RT	1/2"	50	250	—
2913RT	2903RT	3/4"	25	125	—
2914RT	2904RT	1"	15	75	—
2915RT	2905RT	1-1/4"	—	20	—
2916RT	2906RT	1-1/2"	—	10	—
2918RT	2908RT	2"	—	10	—
2960RT	2940RT	2-1/2"	—	1	—
2962RT	2942RT	3"	—	1	—
2964RT	2944RT	3-1/2"	—	1	—
2966RT	2946RT	4"	—	1	—

APPLICATIONS

- For use in wet locations to bond and secure EMT conduit to a box or enclosure
- RACO® Raintight Steel EMT compression fittings are designed to comply with new UL raintight test requirements and to comply with the requirements of the 2014 NEC 358.42 and 314.15

PRODUCT FEATURES

- All steel construction ensures mechanical protection for the raceway
- Available in 1/2" to 4" trade sizes
- Zinc-electroplate finish
- All fittings are marked "Wet Locations" to allow inspecting authorities to immediately determine that the installation is up to code
- All connectors are supplied with a factory installed knockout seal. No need for the expense of buying a separate gasket
- No need to disassemble the fitting prior to installation. RACO Raintight Steel EMT compression fittings are designed to come out of the carton ready to install directly on the conduit. No need to waste time loosening compression nuts
- No special tools required. Install these fittings like any other Steel EMT compression fitting. No need for a torque wrench to insure proper installation

COMPLIANCE

- - Standard 514B
C22.2 # 18
UL Listed E195970





RAINTIGHT COMPRESSION COUPLINGS - STEEL



Couplings

APPLICATIONS

- For use in wet locations to couple two ends of EMT conduit
- RACO® Raintight Steel EMT compression fittings are designed to comply with new UL Raintight test requirements and to comply with the requirements of the 2014 NEC 358.42 and 314.15

PRODUCT FEATURES

- All steel construction ensures mechanical protection for the raceway
- Available in 1/2" to 4" trade sizes
- Zinc-electroplate finish
- All fittings are marked "Wet Locations" to allow inspecting authorities to immediately determine that the installation is up to code
- No need to disassemble the fitting prior to installation. RACO Raintight Steel EMT compression fittings are designed to come out of the carton ready to install directly on the conduit. No time wasted loosening compression nuts
- No special tools required. Install these fittings like any other Steel EMT compression fitting. No need for a torque wrench to insure proper installation

COMPLIANCE

- - Standard 514B
C22.2 # 18
UL Listed E195970

CATALOG #	TRADE SIZE	UNIT CARTON QTY.	SHIP CARTON QTY.	BAR CODE
Compression Couplings – Steel				
2922RT	1/2"	50	250	—
2923RT	3/4"	25	125	—
2924RT	1"	15	75	—
2925RT	1-1/4"	—	20	—
2926RT	1-1/2"	—	10	—
2928RT	2"	—	10	—
2950RT	2-1/2"	—	1	—
2952RT	3"	—	1	—
2954RT	3-1/2"	—	1	—
2956RT	4"	—	1	—

INDENTER CONNECTORS - STEEL



Insulated Connectors



Uninsulated Connectors

INSULATED CATALOG #	UNINSULATED CATALOG #	TRADE SIZE	UNIT CARTON QTY.	SHIP CARTON QTY.	BAR CODE
Connectors – Steel					
1992	1972	1/2"	50	500	—
1993	—	3/4"	25	250	—

APPLICATIONS

- For use in dry locations to bond EMT conduit to a box or enclosure
- RACO® Indenter connectors provide concrete-tight connections when taped

PRODUCT FEATURES

- All steel construction ensures mechanical protection for the raceway
- All components are zinc-electroplated for corrosion protection





SET SCREW CONNECTORS - DIE-CAST



Insulated Connectors



Uninsulated Connectors

APPLICATIONS

- For use in dry locations to bond EMT conduit to a box or enclosure
- RACO® die-cast set-screw connectors provide concrete-tight connections when taped
- RACO® set-screw connectors are suitable for applications above 600V

PRODUCT FEATURES

- Rugged metallic construction ensures mechanical protection for the raceway
- 2-1/2" to 4" trade sizes are UL Listed for use on Rigid/IMC conduit, allowing for installation flexibility

COMPLIANCE

- FILE E195970

INSULATED CATALOG #	UNINSULATED CATALOG #	TRADE SIZE	UNIT CARTON QTY.	SHIP CARTON QTY.	BAR CODE
Set Screw Connectors – Die-Cast Zinc					
2634	2602	1/2"	50	500	—
2635	2603	3/4"	25	250	—
2636	2604	1"	50	200	—
2637	2605	1-1/4"	25	100	—
2638	2606	1-1/2"	10	40	—
2639	2608	2"	5	20	—
2648	2640	2-1/2"	—	12	—
2649	2642	3"	—	12	—
2650	—	3-1/2"	—	10	—
—	2644	3-1/2"	—	6	—
2651	2646	4"	—	6	—

SET SCREW COUPLINGS AND OFFSETS - DIE-CAST



Couplings



Offset Connectors

CATALOG #	TRADE SIZE	UNIT CARTON QTY.	SHIP CARTON QTY.	BAR CODE
Couplings – Die-Cast Zinc				
2622	1/2"	50	500	—
2623	3/4"	25	250	—
2624	1"	50	200	—
2625	1-1/4"	25	100	—
2626	1-1/2"	10	40	—
2628	2"	5	20	—
2670	2-1/2"	—	12	—
2672	3"	—	12	—
2674	3-1/2"	—	6	—
2676	4"	—	6	—
3/8" Offset Connectors – Die-Cast Zinc				
1762	1/2"	—	50	—
1763	3/4"	—	25	—

COUPLINGS AND OFFSET CONNECTORS APPLICATIONS

- RACO® die-cast set-screw couplings provide concrete-tight connections when taped
- RACO® set-screw couplings are suitable for applications above 600V

COUPLINGS APPLICATION

- For use in dry locations to couple two ends of EMT conduit

OFFSETS CONNECTORS APPLICATION

- For use in dry locations to bond EMT conduit to a box or enclosure

COUPLINGS AND OFFSET CONNECTORS PRODUCT FEATURE

- Rugged metallic construction provides mechanical protection for the raceway

COUPLINGS PRODUCT FEATURE

- 2-1/2" to 4" trade sizes are UL Listed for use on Rigid/IMC conduit, allowing for installation flexibility

COMPLIANCES

- FILE E195969
- - C22.2 # 18





HANDY ELLS - DIE-CAST



90° Handy Ells Couplings



90° Handy Ells Connectors

APPLICATIONS

- For use in dry locations to bond EMT conduit to a box or enclosure, or to couple two ends of EMT conduit
- Use handy ells when bending conduit is not practical

PRODUCT FEATURE

- Cover included

COMPLIANCE

- FILE E195969
- - C22.2 # 18

CATALOG #	TRADE SIZE	UNIT CARTON QTY.	SHIP CARTON QTY.	BAR CODE
90° Handy Ells – Die-Cast Zinc Couplings				
2752	1/2"	10	100	—
2753	3/4"	5	50	—
2754	1"	—	25	—
90° Handy Ells – Die-Cast Zinc Connectors				
2762	1/2"	10	100	—
2763	3/4"	5	50	—

COMPRESSION COUPLINGS - DIE-CAST



Couplings

CATALOG #	TRADE SIZE	UNIT CARTON QTY.	SHIP CARTON QTY.	BAR CODE
Offset Connectors – Die-Cast Zinc				
2822	1/2"	50	500	—
2823	3/4"	25	250	—
2824	1"	50	200	—
2825	1-1/4"	25	100	—
2826	1-1/2"	10	40	—
2828	2"	5	20	—
2870	2-1/2"	—	12	—
2872	3"	—	12	—
2874	3-1/2"	—	10	—
2876	4"	—	6	—

APPLICATIONS

- Use to couple two ends of EMT conduit
- RACO® compression couplings are suitable for applications above 600V
- RACO® 1/2" to 4" couplings provide concrete-tight connections

PRODUCT FEATURES

- Rugged metallic construction provides mechanical protection for the raceway
- Hex compression nuts assure easy wrench installation

COMPLIANCES

- FILE E195970
- - C22.2 # 18



COMPRESSION CONNECTORS - DIE-CAST



Insulated Throat Connectors



Uninsulated Connectors

APPLICATIONS

- Use to bond EMT conduit to a box
- RACO® 1/2" to 4" connectors provide concrete-tight connections
- RACO® compression connectors are suitable for applications above 600V

PRODUCT FEATURES

- Rugged metallic construction provides mechanical protection for the raceway
- Oversized hex compression nuts assure easy wrench installation

COMPLIANCES

- FILE E195970
- - C22.2 # 18

INSULATED CATALOG #	UNINSULATED CATALOG #	TRADE SIZE	UNIT CARTON QTY.	SHIP CARTON QTY.	BAR CODE
Compression Connectors – Die-Cast Zinc					
2832	2802	1/2"	50	500	—
2833	2803	3/4"	25	250	—
2834	2804	1"	50	200	—
2835	2805	1-1/4"	25	100	—
2836	2806	1-1/2"	10	40	—
2838	2808	2"	5	20	—
2890	2840	2-1/2"	—	12	—
2892	2842	3"	—	12	—
2894	2844	3-1/2"	—	10	—
2896	2846	4"	—	6	—

COMPRESSION OFFSET CONNECTORS - DIE-CAST



Offset Connectors

CATALOG #	TRADE SIZE	UNIT CARTON QTY.	SHIP CARTON QTY.	BAR CODE
Offset Connectors – Die-Cast Zinc				
1952	1/2"	—	50	—
1953	3/4"	—	25	—

PRODUCT APPLICATIONS

- Use to bond EMT conduit to a box
- RACO® compression offset connectors are suitable for applications above 600V

PRODUCT FEATURES

- Rugged metallic construction provides mechanical protection for the raceway
- Hex compression nuts assure easy wrench installation

COMPLIANCES

- FILE E195970
- - C22.2 # 18





90° SHORT ANGLE CONNECTORS - MALLEABLE IRON



90° Short Angle Connectors

APPLICATIONS

- To bond EMT conduit to a box or enclosure
- Use 90 degree short angle connectors when bending conduit is not practical

PRODUCT FEATURES

- Malleable construction ensures mechanical protection for the raceway
- Hex compression nuts assure easy wrench installation
- All components are zinc-electroplated for corrosion protection

COMPLIANCES

- - Standard 514B

CATALOG #	TRADE SIZE	UNIT CARTON QTY.	SHIP CARTON QTY.	BAR CODE
90° Short Angle Connectors – Malleable Iron				
2072	1/2"	25	100	—
2073	3/4"	—	25	—

TWO-PIECE CONNECTORS AND COMBINATION COUPLINGS - DIE-CAST/STEEL



Two-Piece Connectors



EMT to Rigid Couplings
Threaded/Compression

CATALOG #	TRADE SIZE	UNIT CARTON QTY.	SHIP CARTON QTY.	BAR CODE
Two-Piece Connectors – Die-Cast Zinc				
2702	1/2"	—	100	—
2703	3/4"	—	50	—
EMT - Rigid Couplings Threaded/Compression – Steel				
1352	1/2"	—	25	—
1353	3/4"	—	25	—
1354	1"	—	25	—

DIE-CAST TWO-PIECE CONNECTORS APPLICATIONS

- For use in dry locations to bond EMT conduit to a box or enclosure
- RACO® 1/2" and 3/4" two-piece connectors provide concrete-tight connections

DIE-CAST TWO-PIECE CONNECTORS PRODUCT FEATURE

- Rugged metallic construction provides mechanical protection for the raceway

COMPLIANCE

- - Standard 514B

STEEL COMBINATION COUPLINGS APPLICATION

- Use RACO Cat. Nos. 1352 - 1354 when coupling threaded Rigid/IMC conduit to EMT

STEEL COMBINATION COUPLINGS PRODUCT FEATURES

- Rugged metallic construction provides mechanical protection for the raceway
- All steel components are zinc-electroplated for corrosion protection

COMPLIANCE

- - Standard 514B





COMBINATION COUPLINGS - STEEL



EMT to Rigid Couplings Set Screw

APPLICATIONS

- Use RACO® Catalog numbers 1432 - 1434 when coupling unthreaded Rigid/IMC to EMT conduit

PRODUCT FEATURES

- Rugged metallic construction provides mechanical protection
- All components are zinc-electroplated for corrosion protection
- UPC bar coded fittings are individually polybagged with a preprinted UPC-A bar code and packaged in pre-scored tear top cartons for attractive presentation

CATALOG #	TRADE SIZE	UNIT CARTON QTY.	SHIP CARTON QTY.	BAR CODE
Insulating Bushings – Polyethylene				
1432	1/2"	—	25	—
1433	3/4"	—	25	—
1434	1"	—	25	—

COMBINATION COUPLINGS - MALLEABLE IRON/DIE-CAST



EMT - Flex Couplings Squeeze/Compression



EMT - Flex Couplings Screw-in/Compression



EMT - Flex Couplings Squeeze/Set Screw

APPLICATION

- For use in dry locations to couple EMT conduit to flexible metal conduit.

PRODUCT FEATURES

- Rugged metallic construction ensures mechanical protection
- All steel/malleable components are zinc-electroplated for corrosion protection
- UPC bar coded fittings are individually polybagged with a preprinted UPC-A bar code and packaged in pre-scored tear top cartons for attractive presentation

COMPLIANCE

- FILE E195969
- LISTED (1852 & 1853)

CATALOG #	FLEX SIZE	EMT SIZE	UNIT CARTON QTY.	SHIP CARTON QTY.	BAR CODE
EMT - Flex Couplings Squeeze/Compression – Malleable Iron					
1941*	3/8"	1/2"	—	25	—
1942	1/2"	1/2"	—	25	—
1942-8	1/2"	1/2"	1	25	
1943	3/4"	3/4"	—	25	—
1943-8	3/4"	3/4"	1	25	
EMT - Flex Couplings Screw-in/Compression – Die-Cast Zinc					
1482	1/2"	1/2"	50	500	—
1483	3/4"	3/4"	25	250	—
1484	1"	1"	25	250	—
EMT - Flex Couplings Squeeze/Set Screw – Die-Cast Zinc					
1852	1/2"	1/2"	25	250	—
1853	3/4"	3/4"	25	250	—

INSULATING BUSHINGS – POLYETHYLENE



2175RAC

CATALOG #	TRADE SIZE	UNIT CARTON QTY.	SHIP CARTON QTY.	BAR CODE
Insulating Bushings – Polyethylene				
2172RAC	1/2"	100	1000	—
2173RAC	3/4"	100	1000	—
2174RAC	1"	—	100	—
2175RAC	1-1/4"	—	100	—
2176RAC	1-1/2"	—	100	—
2178RAC	2"	—	50	—
2180RAC*	2-1/2"	—	25	—
2182RAC*	3"	—	25	—
2184RAC*	3-1/2"	—	25	—
2186RAC*	4"	—	25	—

*Can be used on Rigid/IMC Conduit

APPLICATIONS

- RACO® EMT insulating bushings provide a smooth surface for cable installation. Insulation prevents costly damage by protecting cable jacketing from sharp conduit edges during pulling.
- Common applications include telephone, data, alarm/security, and other low voltage cable installations.

PRODUCT FEATURES

- High-density Polyethylene construction
- Temperature rated at 90° C
- Easy push-on design
- White color

COMPLIANCE

- NEC Article 300.15c





STRAPS - STEEL



One Hole Push-on Straps



Two Hole Straps

APPLICATION

- For use in mounting EMT conduit

PRODUCT FEATURES

- All stamped steel construction ensures mechanical protection
- RACO® steel one hole straps snap on to the conduit, allowing the installer to easily position the strap before mounting
- Oversized bolt holes make alignment of the fastener quick and easy
- All straps are zinc-electroplated for corrosion protection

COMPLIANCE

- - Listed E195968 (2082 - 2088)

CATALOG #	TRADE SIZE	UNIT CARTON QTY.	SHIP CARTON QTY.	BAR CODE
One Hole Push-on Straps Stamped – Steel (cULus)				
2082	1/2"	100	25	—
2083	3/4"	50	10	—
2084	1"	50	5	—
2085	1-1/4"	—	5	—
2086	1-1/2"	—	5	—
2088	2"	—	5	—
1337	2-1/2"	—	5	—
1339	3"	—	1	—
1340	3-1/2"	—	1	—
1341	4"	—	1	—
Two Hole Straps Stamped – Steel				
2092	1/2"	—	100	—
2093	3/4"	—	100	—
2094	1"	—	100	—
2095	1-1/4"	—	50	—
2096	1-1/2"	—	50	—
2098	2"	—	25	—
2239	2-1/2"	—	25	—
2240	3"	—	25	—
2241	3-1/2"	—	25	—
2242	4"	—	10	—

STRAPS - MALLEABLE AND STEEL



One Hole Straps



Nail-up Straps

CATALOG #	TRADE SIZE	UNIT CARTON QTY.	SHIP CARTON QTY.	BAR CODE
One Hole Push-on Straps Stamped – Steel (cULus)				
1310	2-1/2"	—	10	—
1312	3"	—	10	—
1314	3-1/2"	—	5	—
1316	4"	—	5	—
Two Hole Straps Stamped – Steel				
2252	1/2"	100	1000	—
2253	3/4"	100	1000	—
2254	1"	100	1000	—

MALLEABLE-STRAPS APPLICATION

- For use in mounting EMT conduit in wet or dry locations

STEEL-STRAPS APPLICATION

- For use in mounting EMT conduit

MALLEABLE - STRAPS PRODUCT FEATURES

- All malleable construction ensures mechanical protection
- Oversized bolt holes for easy alignment of the fastener
- All straps are zinc-electroplated for corrosion protection

STEEL - STRAPS PRODUCT FEATURE

- Stamped steel straps are pre-galvanized for added corrosion protection

STEEL - STRAPS COMPLIANCE

- - LISTED E195968, E195973
- - (2252-2253)

APPLICATIONS

- For use with RACO® 1300 Series EMT and Rigid/IMC straps to permit space between the conduit and the mounting surface
- Use of clampbacks in outdoor locations can prevent the build-up of snow and rain between the conduit and the mounting surface

PRODUCT FEATURES

- All malleable construction ensures durability and mechanical protection
- Zinc-electroplated for added corrosion protection
- Elongated bolt holes for easy alignment with straps
- For use in mounting EMT conduit in wet or dry locations

COMPLIANCE

- FILE E195968

CLAMP BACKS - MALLEABLE IRON



Clamp Backs

CATALOG #	RIGID/IMC SIZE	EMT SIZE	UNIT CARTON QTY.	SHIP CARTON QTY.	BAR CODE
Clampbacks – Malleable Iron					
1342	1/2"	3/4"	—	100	—
1343	3/4"	1"	—	100	—
1344	1"	1-1/4"	—	50	—
1345	1-1/4"	1-1/2"	—	25	—
1346	1-1/2"	2"	—	25	—
1348	2"	2"	—	10	—
1347	2-1/2"	2-1/2"	—	10	—
1349	3"	3"	—	10	—
1350	3-1/2"	3-1/2"	—	5	—
1351	4"	4"	—	5	—





SET SCREW CONNECTORS - STEEL



Insulated Connectors



Uninsulated Connectors

APPLICATIONS

- For use in dry locations to bond unthreaded Rigid/IMC conduit to a box or enclosure
- RACO® steel set screw connectors are suitable for concrete-tight applications when taped

PRODUCT FEATURES

- All steel construction ensures mechanical protection for the raceway
- 2-1/2" to 4" trade sizes are also UL Listed for use on EMT conduit, allowing for design and installation flexibility
- All components are zinc-electroplated for corrosion protection

COMPLIANCE

- - Standard 514B
UL Listed E195969

INSULATED CATALOG #	UNINSULATED CATALOG #	TRADE SIZE	UNIT CARTON QTY.	SHIP CARTON QTY.	BAR CODE
Compression Connectors – Steel/Malleable Iron					
—	3002	1/2"	—	25	—
—	3003	3/4"	—	25	—
—	3004	1"	—	10	—
—	3005	1-1/4"	—	5	—
—	3006	1-1/2"	—	5	—
—	3008	2"	—	5	—
2160	2140	2-1/2"	—	5	—
2162RAC	2142	3"	—	1	—
2164	2144	3-1/2"	—	1	—
2166	2146	4"	—	1	—

SET SCREW COUPLINGS - STEEL



Couplings

CATALOG #	TRADE SIZE	UNIT CARTON QTY.	SHIP CARTON QTY.	BAR CODE
Couplings – Steel				
3022	1/2"	—	25	—
3023	3/4"	—	10	—
3024	1"	—	5	—
3025	1-1/4"	—	5	—
3026	1-1/2"	—	5	—
3028	2"	—	5	—
2150	2-1/2"	—	5	—
2152	3"	—	1	—
2154	3-1/2"	—	1	—
2156	4"	—	1	—

APPLICATIONS

- For use in dry locations to couple two ends of unthreaded Rigid/IMC conduit
- RACO® steel set screw couplings are suitable for concrete-tight applications when taped

PRODUCT FEATURES

- All steel construction ensures mechanical protection for the raceway
- 2-1/2" to 4" trade sizes are also UL Listed for use on EMT conduit, allowing for design and installation flexibility
- All components are zinc-electroplated for corrosion protection

COMPLIANCE

- - Standard 514B
UL Listed E195969





COMPRESSION CONNECTORS - STEEL/MALLEABLE IRON

COMPRESSION COUPLINGS - STEEL/MALLEABLE IRON



**Insulated Connectors
Steel**



**Uninsulated Connectors
Steel**



**1810-1816
Uninsulated Connector
Malleable Iron**



**Couplings
Steel**



**1830-1836
Coupling Malleable Iron**

APPLICATIONS

- Use to bond unthreaded Rigid/IMC conduit to a box or enclosure
- RACO® 1/2" to 4" connectors and couplings provide concrete-tight connections

PRODUCT FEATURES

- All steel/malleable iron construction ensures mechanical protection for the raceway
- Hex compression nuts assure easy wrench installation
- All components are zinc-electroplated for corrosion protection

COMPLIANCES

- - Standard 514B
UL FILE E195969
- - C22.2 #18

INSULATED CATALOG #	UNINSULATED CATALOG #	TRADE SIZE	UNIT CARTON QTY.	SHIP CARTON QTY.	BAR CODE
Compression Connectors – Steel/Malleable Iron					
3802RAC	1802	1/2"	—	25	—
3803RAC	1803	3/4"	—	25	—
3804RAC	1804	1"	—	10	—
3805RAC	1805	1-1/4"	—	5	—
3806RAC	1806	1-1/2"	—	5	—
3808RAC	1808	2"	—	5	—
—	1810	2-1/2"	—	5	—
—	1812	3"	—	1	—
—	1814	3-1/2"	—	1	—
—	1816	4"	—	1	—

CATALOG #	TRADE SIZE	UNIT CARTON QTY.	SHIP CARTON QTY.	BAR CODE
Couplings – Steel/Malleable Iron				
1822	1/2"	—	25	—
1823	3/4"	—	10	—
1824	1"	—	5	—
1825	1-1/4"	—	5	—
1826	1-1/2"	—	5	—
1828	2"	—	5	—
1830	2-1/2"	—	5	—
1832	3"	—	1	—
1834	3-1/2"	—	1	—
1836	4"	—	1	—

APPLICATIONS

- Use to couple two ends of unthreaded Rigid/IMC conduit
- RACO® 1/2" to 4" couplings provide concrete-tight connections

PRODUCT FEATURES

- All steel/malleable iron construction ensures mechanical protection for the raceway
- Hex compression nuts assure easy wrench installation
- All components are zinc-electroplated for corrosion protection

COMPLIANCE

- - Standard 514B
UL FILE E195969
- - C22.2 #18



SHORT ELBOWS - MALLEABLE IRON



90 Degree Short Elbows

APPLICATION

- For use with threaded Rigid/IMC conduit
- 90° short elbows are ideal for use in tight locations where bending of conduit is not practical

PRODUCT FEATURES

- All malleable iron construction ensures mechanical protection for the raceway
- All components are zinc-electroplated for corrosion protection

COMPLIANCES

- - Standard 514B

CATALOG #	TRADE SIZE	UNIT CARTON QTY.	SHIP CARTON QTY.	BAR CODE
90° Short Elbows – Malleable Iron				
1722	1/2"	—	50	—
1723	3/4"	—	25	—

HANDY ELLS - DIE-CAST



90° Handy Ells Threaded Connectors



90° Handy Ells Threaded Couplings

CATALOG #	TRADE SIZE	UNIT CARTON QTY.	SHIP CARTON QTY.	BAR CODE
90° Handy-Ells Threaded Connectors - Die-Cast Zinc				
2662	1/2"	10	100	—
2663	3/4"	5	50	—
2664RAC	1"	—	25	—
90° Handy-Ells Threaded Couplings - Die-Cast Zinc				
2652	1/2"	10	100	—
2653	3/4"	5	50	—
2654	1"	—	25	—
2655	1-1/4"	—	20	—

APPLICATIONS

- For use with threaded Rigid/IMC conduit to bond conduit to a box or enclosure, or to couple two ends of Rigid/IMC conduit
- Use handy ells when bending conduit is not practical

PRODUCT FEATURES

- Gasket and cover included

COMPLIANCE

- - Standard 514B
UL Listed E195969
- - C22.2 #18





THREE-PIECE COUPLINGS - MALLEABLE IRON



Three-piece Couplings

APPLICATIONS

- For use with threaded Rigid/IMC conduit
- Use couplings to couple conduit ends when the conduit cannot be turned
- RACO® Three-piece couplings provide concrete-tight connections

PRODUCT FEATURES

- Malleable iron construction ensures mechanical protection for the raceway
- All components are zinc-electroplated for corrosion protection

COMPLIANCE

- UL Listed E195969

CATALOG #	TRADE SIZE	UNIT CARTON QTY.	SHIP CARTON QTY.	BAR CODE
Three-Piece Couplings - Malleable Iron				
1502	1/2"	—	25	—
1503	3/4"	—	25	—
1504	1"	—	5	—
1505	1-1/4"	—	5	—
1506	1-1/2"	—	5	—
1508	2"	—	5	—
1510	2-1/2"	—	4	—
1512	3"	—	4	—
1514	3-1/2"	—	2	—
1516	4"	—	2	—
Three-Piece Couplings - Steel				
1520	4"	—	1	—
1524	4"	—	1	—

COMBINATION COUPLINGS - STEEL



Rigid to EMT Couplings Threaded/Compression



Rigid to EMT Couplings Set Screw

CATALOG #	TRADE SIZE	UNIT CARTON QTY.	SHIP CARTON QTY.	BAR CODE
Rigid-EMT Couplings Threaded/Compression - Steel				
1352	1/2"	—	25	—
1353	3/4"	—	25	—
1354	1"	—	25	—
Rigid-EMT Couplings Set Screw - Steel				
1432	1/2"	—	25	—
1433	3/4"	—	25	—
1434	1"	—	25	—

APPLICATIONS

- Use when coupling Rigid/IMC to EMT
- Use RACO® Cat. Nos. 1352 - 1354 when coupling threaded Rigid/IMC conduit to EMT
- Use RACO® Cat. Nos. 1432 - 1434 when coupling unthreaded Rigid/IMC conduit to EMT

PRODUCT FEATURES

- All steel construction ensures mechanical protection
- All components are zinc-electroplated for corrosion protection
- UPC bar code fittings are individually polybagged with a preprinted UPC-A bar code and packaged in pre-scored tear top cartons for attractive presentation

COMPLIANCE

- - Standard 514B (1432 - 1434 only) UL FILE E195969

COMBINATION COUPLINGS - MALLEABLE IRON



Rigid to Flex Couplings Threaded/Squeeze

CATALOG #	TRADE SIZE	UNIT CARTON QTY.	SHIP CARTON QTY.	BAR CODE
Rigid - Flex Couplings - Malleable Iron Squeeze/Threaded				
1552	1/2"	—	100	—
1553	3/4"	—	25	—
1554	1"	—	25	—

APPLICATION

- Use RACO® Cat. Nos. 1552 - 1554 when coupling flexible metal conduit to threaded Rigid/IMC

PRODUCT FEATURES

- All malleable iron construction ensures mechanical protection for the raceway
- All components are zinc-electroplated for corrosion protection

COMPLIANCE

-



THREE-PIECE COUPLINGS - STEEL



Three-piece Super Coupling

APPLICATIONS

- Designed to couple threaded Rigid/IMC conduit to either threaded or unthreaded Rigid/IMC or EMT conduit
- Unique features lend to quick and simplified installation
- No turning of the conduit is required, and no disassembly of the coupling is needed

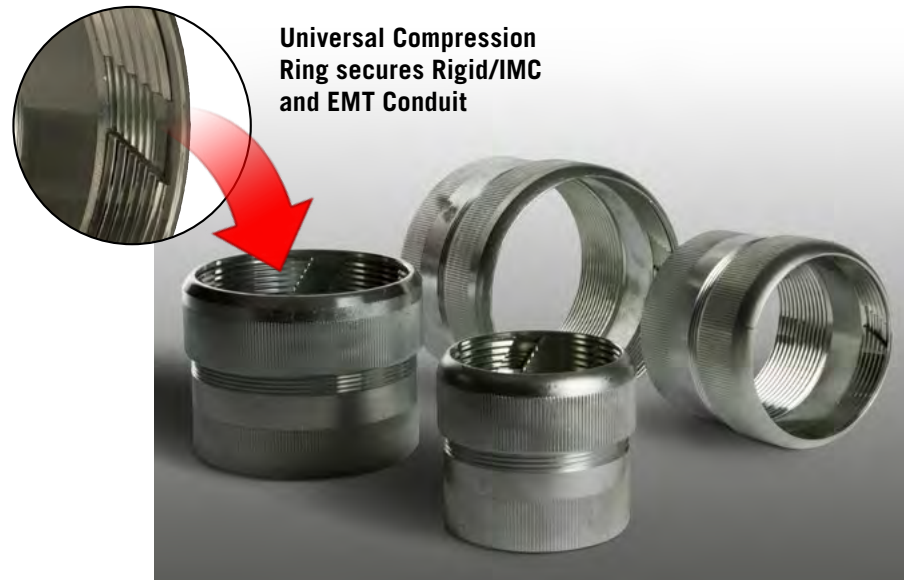
PRODUCT FEATURES

- Reduces installation time
- Eliminates field threading
- Lighter than traditional malleable iron 3-piece coupling
- Compact size makes installation easier where space is limited
- No need to disassemble the compression nut and ring
- Zinc-plated steel
- UL concrete-tight

COMPLIANCE

- - Standard E195969

CATALOG #	TRADE SIZE	SHIP CARTON WEIGHT (LBS)	SHIP CARTON QTY.	BAR CODE
Three-Piece Super Couplings - Steel				
1530RAC	2-1/2"	3.39	2	—
1532RAC	3"	2.18	1	—
1534RAC	3-1/2"	2.67	1	—
1536RAC	4"	3.08	1	—



THREADED HUBS - DIE-CAST



Threaded Hubs Insulated

CATALOG #	TRADE SIZE	UNIT CARTON QTY.	SHIP CARTON QTY.	BAR CODE
Threaded Hubs Insulated Throat - Die-Cast Zinc				
1702	1/2"	—	25	—
1703	3/4"	—	25	—
1704	1"	—	25	—
1705	1-1/4"	—	10	—
1706	1-1/2"	—	10	—
1708	2"	—	10	—
1710	2-1/2"	—	5	—
1712	3"	—	2	—
1714	3-1/2"	—	2	—
1716	4"	—	2	—

APPLICATIONS

- For use with threaded Rigid/IMC conduit to connect and bond conduit to a threadless opening in a box or enclosure
- May be used in wet or dry locations

PRODUCT FEATURES

- Rugged metallic construction ensures mechanical protection
- Insulated throat protects wires and reduces wire pulling effort
- O-ring seals the assembly and provides a raintight seal

COMPLIANCE

- - Standard 514B
UL Listed E195969
- - C22.2 #18



REDUCING BUSHINGS - STEEL



Reducing Bushings

APPLICATION

- For use with threaded Rigid/IMC conduit to reduce the size of a female hub to accommodate a smaller size of conduit or male threaded hub

PRODUCT FEATURES

- Rugged steel construction ensures mechanical protection of the raceway
- Zinc-electroplated for corrosion protection

COMPLIANCE

- UL Listed E195969

CATALOG #	TRADE SIZE	UNIT CARTON QTY.	SHIP CARTON QTY.	BAR CODE
Reducing Bushings - Steel				
1141	1/2" - 3/8"	—	100	—
1142	3/4" - 1/2"	—	100	—
1143	1" - 1/2"	—	50	—
1144	1" - 3/4"	—	50	—
1145	1-1/4" - 1/2"	—	50	—
1146	1-1/4" - 3/4"	—	50	—
1147	1-1/4" - 1"	—	50	—
1148	1-1/2" - 1/2"	—	50	—
1149	1-1/2" - 3/4"	—	50	—
1150	1-1/2" - 1"	—	50	—
1151	1-1/2" - 1-1/4"	—	50	—
1152	2" - 1/2"	—	25	—
1153	2" - 3/4"	—	25	—
1154	2" - 1"	—	25	—
1155	2" - 1-1/4"	—	25	—
1156	2" - 1-1/2"	—	25	—

REDUCING BUSHINGS - IRON



Reducing Bushings

CATALOG #	TRADE SIZE	UNIT CARTON QTY.	SHIP CARTON QTY.	BAR CODE
Reducing Bushings - Iron				
1160	2-1/2" - 1-1/4"	—	10	—
1161	2-1/2" - 1-1/2"	—	10	—
1162	2-1/2" - 2"	—	10	—
1168	3" - 2"	—	10	—
1169	3" - 2-1/2"	—	5	—
1175	3-1/2" - 2"	—	5	—
1176	3-1/2" - 2-1/2"	—	5	—
1177	3-1/2" - 3"	—	5	—
1185	4" - 3"	—	5	—
1186	4" - 3-1/2"	—	5	—

APPLICATION

- For use with threaded Rigid/IMC conduit to reduce the size of a female hub to accommodate a smaller size of conduit or male threaded hub

PRODUCT FEATURES

- Rugged iron construction ensures mechanical protection of the raceway
- Zinc-electroplated for corrosion protection

COMPLIANCE

- UL Listed E195969





LOCKNUTS - STEEL



Locknuts (1001)



Locknuts (1002 - 1220)

APPLICATION

- For use in dry locations on threaded Rigid/IMC conduit to secure conduit to a box or enclosure

PRODUCT FEATURES

- All steel construction ensures mechanical protection
- Zinc-electroplated for corrosion protection

COMPLIANCES (EXCLUDES NON-UL)

- - Standard 514B
UL Listed E195969
- - C22.2 #18

CATALOG #	TRADE SIZE	UNIT CARTON QTY.	SHIP CARTON QTY.	BAR CODE
Locknuts - Steel				
1001	3/8"	100	1000	—
1002	1/2"	100	1000	—
1003	3/4"	100	1000	—
1004	1"	—	100	—
1005	1-1/4"	—	50	—
1006	1-1/2"	—	50	—
1008	2"	—	50	—
1010	2-1/2"	—	30	—
1012	3"	—	25	—
1014	3-1/2"	—	15	—
1016	4"	—	10	—
1020	5"	—	8	—
1024	6"	—	8	—
Non-UL Locknuts - Steel				
1192	1/2"	100	1000	—
1193	3/4"	100	1000	—
1194	1"	—	100	—
1195	1-1/4"	—	50	—
1196	1-1/2"	—	50	—
1198	2"	—	50	—
1197	2-1/2"	—	30	—
1199	3"	—	25	—
1200	3-1/2"	—	15	—
1201	4"	—	10	—
1219	5"	—	8	—

BONDING LOCKNUTS - STEEL



Bonding Locknuts

CATALOG #	TRADE SIZE	UNIT CARTON QTY.	SHIP CARTON QTY.	BAR CODE
Bonding Locknuts - Steel				
1242	1/2"	—	50	—
1243	3/4"	—	50	—
1244	1"	—	25	—
1245	1-1/4"	—	25	—
1246	1-1/2"	—	25	—
1248	2"	—	20	—
1250	2-1/2"	—	10	—
1252	3"	—	10	—
1254	3-1/2"	—	5	—
1256	4"	—	5	—

APPLICATION

- For use on threaded Rigid/IMC conduit
- Use bonding locknuts when additional locking and grounding connections are required for applications where severe vibration is encountered

PRODUCT FEATURES

- All steel construction ensures mechanical protection
- Zinc-electroplated for corrosion protection

COMPLIANCES

- - Standard 514B
UL Listed E195975
- - C22.2 #18

GROUNDING RINGS



1753



1754

CATALOG #	TRADE SIZE	UNIT CARTON QTY.	SHIP CARTON QTY.	BAR CODE
Threaded Conduit Hub Grounding Ring - Die Cast Zinc				
1753	3/4"	—	250	
1754	1"	—	250	

APPLICATION

- RACO Conduit Hub Grounding Rings are intended for use with RACO threaded die cast zinc Rigid/IMC conduit hubs
- Install the hub into a threadless enclosure opening and secure by threading the ring onto the end of the hub throat and tightening. Secure the ground wire to the bonding screw

- Bonding screws assure ground path continuity throughout the raceway

PRODUCT FEATURES

- Die cast zinc construction provides corrosion resistance
- NPSM tapping threads
- Slotted head, steel, water-tight bonding screw





SEALING LOCKNUTS - STEEL



Sealing Locknuts

APPLICATION

- For use on threaded Rigid/IMC conduit to provide a liquidtight seal against water and oil
- RACO® sealing locknuts may be used with either sheet metal or cast enclosures

PRODUCT FEATURES

- Fused-in-place gasket guarantees a liquidtight seal
- Use RACO sealing locknut as an economical alternative to a threaded enclosure connector
- All steel construction ensures mechanical protection
- Zinc-electroplated for corrosion protection

COMPLIANCES

- - Standard 514B (1202 - 1210)
UL FILE E195969
- - C22.2 #18 (1202 - 1211)

CATALOG #	TRADE SIZE	UNIT CARTON QTY.	SHIP CARTON QTY.	BAR CODE
Sealing Locknuts - Steel				
1202	1/2"	—	100	—
1203	3/4"	—	100	—
1204	1"	—	50	—
1205	1-1/4"	—	50	—
1206	1-1/2"	—	25	—
1208	2"	—	25	—
1207	2-1/2"	—	30	—
1209	3"	—	25	—
1210	3-1/2"	—	15	—
1211	4"	—	10	—

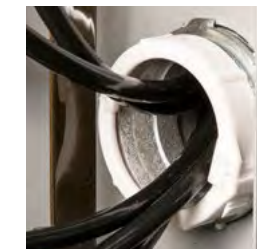
INSULATING BUSHINGS - POLYPROPYLENE



Insulating Bushings



Universal Split Insulating Bushings



CATALOG #	TRADE SIZE	UNIT CARTON QTY.	SHIP CARTON QTY.	BAR CODE
Insulating Bushings – Polypropylene				
1402	1/2"	100	400	—
1403	3/4"	100	400	—
1404	1"	50	200	—
1405	1-1/4"	—	25	—
1406	1-1/2"	—	25	—
1408	2"	—	25	—
1410	2-1/2"	—	10	—
1412	3"	—	10	—
1414	3-1/2"	—	5	—
1416	4"	—	5	—
1420	5"	—	5	—
1424	6"	—	5	—
Universal Split Insulating Bushings – Polypropylene				
1410USP	2-1/2"	—	20	—
1412USP	3"	—	20	—
1414USP	3-1/2"	—	20	—
1416USP	4"	—	10	—

APPLICATIONS - INSULATING BUSHINGS

- For use on threaded Rigid/IMC conduit
- RACO® bushings provide a smooth rounded surface at the entrance of raceways

PRODUCT FEATURE

- Insulating bushings are made of high impact polypropylene temperature rated 105° C

APPLICATIONS - SPLIT BUSHINGS

- Install on fittings, threaded or unthreaded Rigid/IMC, or EMT conduit
- Can be installed after wires and cables are pulled

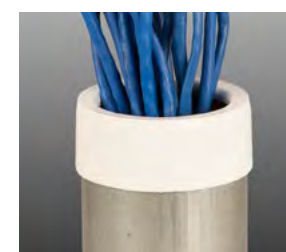
PRODUCT FEATURES

- Code-saver
- One-piece design: no fumbling with extra pieces
- Easy, quick installation
- Low profile design
- No more damaged bushings during wire pulling
- Rated to 105° C

COMPLIANCE

- us

INSULATING BUSHINGS – POLYETHYLENE



APPLICATION

- RACO® EMT insulating bushings provide a smooth surface for cable installation. Insulation prevents costly damage by protecting cable jacketing from sharp conduit edges during pulling.
- Common applications include telephone, data, alarm/security, and other low voltage cable installations.

PRODUCT FEATURES

- High-density Polyethylene construction
- Temperature rated at 90° C
- Easy push-on design
- White color

COMPLIANCE

- NEC Article 300.15c

CATALOG #	TRADE SIZE	UNIT CARTON QTY.	SHIP CARTON QTY.	BAR CODE
Insulating Bushings – Polyethylene				
2180RAC*	2-1/2"	—	25	—
2182RAC*	3"	—	25	—
2184RAC*	3-1/2"	—	25	—
2186RAC*	4"	—	25	—

*Can be used on Rigid/IMC Conduit





BUSHINGS - MALLEABLE IRON



Bushings

APPLICATION

- For use on threaded Rigid/IMC conduit
- RACO® bushings provide a smooth rounded surface at the entrance of raceways

PRODUCT FEATURES

- Malleable iron construction ensures mechanical protection
- Zinc-electroplated for corrosion protection

COMPLIANCES

- - Standard 514B
UL Listed E195969
- - C22.2 #18

CATALOG #	TRADE SIZE	UNIT CARTON QTY.	SHIP CARTON QTY.	BAR CODE
Bushings - Malleable Iron				
1102RAC	1/2"	—	100	—
1103	3/4"	—	100	—
1104	1"	—	50	—
1105	1-1/4"	—	50	—
1106	1-1/2"	—	50	—
1108	2"	—	50	—
1110	2-1/2"	—	30	—
1112	3"	—	10	—
1114	3-1/2"	—	10	—
1116	4"	—	10	—

INSULATED BUSHINGS - MALLEABLE IRON



Malleable Iron



Die-cast Zinc

CATALOG #	TRADE SIZE	UNIT CARTON QTY.	SHIP CARTON QTY.	BAR CODE
Insulated Bushings - Malleable Iron				
1132*	1/2"	100	100	—
1133*	3/4"	100	50	—
1134*	1"	50	25	—
1135	1-1/4"	—	25	—
1136	1-1/2"	—	25	—
1138	2"	—	10	—
1126	2-1/2"	—	10	—
1127	3"	—	5	—
1128	3-1/2"	—	5	—
1129	4"	—	5	—

*Available in Die-cast Zinc. Add suffix DC when ordering.

APPLICATION

- For use on threaded Rigid/IMC conduit to provide a smooth rounded surface at the entrance of raceways

PRODUCT FEATURES

- Insuliner temperature rated 150° C
- Malleable iron construction ensures mechanical protection for the raceway
- Zinc-electroplated for corrosion protection
- 1/2" to 1" trade sizes are also available in die-cast zinc

COMPLIANCES

- - Standard 514B
UL Listed E195969
- - C22.2 #18





150° INSULATED GROUNDING BUSHINGS - MALLEABLE IRON



Insulated Grounding Bushings Lay-in Lug



Insulated Grounding Bushings Feed-thru Lug

APPLICATION

- For use on threaded Rigid/IMC conduit to provide a means of grounding conduit through an insulated bushing

PRODUCT FEATURES

- Lay-in and Feed-thru lug styles provide an easy means of inserting a ground wire
- Dual rated aluminum grounding lugs may be used with copper or aluminum grounding conductors
- Insuliner temperature rated 150° C
- Malleable iron construction ensures mechanical protection for the raceway
- Zinc-electroplated for corrosion protection

COMPLIANCES

- - Standard 514B
- - C22.2 #18

CATALOG #	TRADE SIZE	UNIT CARTON QTY.	SHIP CARTON QTY.	GROUNDING WIRE CAPACITY		BAR CODE
				MIN.	MAX.	
150° Insulated Grounding Bushings - Lay-In Lug - Malleable Iron						
1212	1/2"	—	100	#14 Sol.	#4 Str.	—
1213	3/4"	—	100	#14 Sol.	#4 Str.	—
1214	1"	—	50	#14 Sol.	#4 Str.	—
1215	1-1/4"	—	25	#14 Sol.	#4 Str.	—
1216	1-1/2"	—	25	#14 Sol.	#4 Str.	—
1218	2"	—	10	#14 Sol.	#4 Str.	—
1290	2-1/2"	—	10	#14 Sol.	#1/0 Str.	—
1292RAC	3"	—	5	#14 Sol.	#1/0 Str.	—
1294	3-1/2"	—	5	#6 Sol.	#250 MCM	—
1296	4"	—	5	#6 Sol.	#250 MCM	—
150° Insulated Grounding Bushings - Lay-In Lug - Die-Cast Zinc						
1262DC	1/2"	—	100	#14 Sol.	#4 Str.	—
1263DC	3/4"	—	100	#14 Sol.	#4 Str.	—
1264DC	1"	—	50	#14 Sol.	#4 Str.	—
150° Insulated Grounding Bushings - Feed-thru Lug - Malleable Iron						
1222	1/2"	—	100	#14 Sol.	#4 Str.	—
1223	3/4"	—	100	#14 Sol.	#4 Str.	—
1224	1"	—	50	#14 Sol.	#4 Str.	—
1225	1-1/4"	—	25	#14 Sol.	#4 Str.	—
1226	1-1/2"	—	25	#14 Sol.	#4 Str.	—
1228	2"	—	10	#14 Sol.	#4 Str.	—
1230	2-1/2"	—	10	#14 Sol.	#1/0 Str.	—
1232RAC	3"	—	5	#14 Sol.	#1/0 Str.	—
1234	3-1/2"	—	5	#6 Sol.	#250 MCM	—
1236	4"	—	5	#6 Sol.	#250 MCM	—

STRAPS - STEEL



One Hole Push-on Straps

CATALOG #	TRADE SIZE	UNIT CARTON QTY.	SHIP CARTON QTY.	BAR CODE
One Hole Push-on Straps - Stamped Steel				
1332	1/2"	100	500	—
1333	3/4"	100	500	—
1334	1"	50	250	—
1335	1-1/4"	—	25	—
1336	1-1/2"	—	25	—
1338	2"	—	25	—
1337	2-1/2"	—	25	—
1339	3"	—	25	—
1340	3-1/2"	—	10	—
1341	4"	—	10	—

APPLICATION

- For use in mounting Rigid/IMC conduit in wet or dry locations
- RACO® Rigid/IMC conduit straps are suitable for use on liquidtight flexible metal conduit and liquidtight flexible nonmetallic conduit (type B)

PRODUCT FEATURES

- All stamped steel construction ensures mechanical protection
- RACO® steel one-hole straps snap on to conduit, allowing the installer to easily position the strap before mounting
- All straps are zinc-electroplated for corrosion protection



STRAPS - STEEL



Two Hole Straps

APPLICATION

- For use in mounting Rigid/IMC conduit in wet or dry locations
- RACO® Rigid/IMC conduit straps are suitable for use on liquidtight flexible metal conduit and liquidtight flexible nonmetallic conduit (type B)

PRODUCT FEATURES

- All stamped steel construction ensures mechanical protection
- All straps are zinc-electroplated for corrosion protection

CATALOG #	TRADE SIZE	UNIT CARTON QTY.	SHIP CARTON QTY.	BAR CODE
Two Hole Push-on Straps - Stamped Steel				
2232	1/2"	—	100	—
2233	3/4"	—	100	—
2234	1"	—	100	—
2235	1-1/4"	—	100	—
2236	1-1/2"	—	50	—
2238	2"	—	25	—
2239	2-1/2"	—	25	—
2240	3"	—	25	—
2241	3-1/2"	—	25	—
2242	4"	—	10	—
2245-2	5"	—	5	—
2246-2	6"	—	5	—

ONE HOLE STRAPS - MALLEABLE IRON



One Hole Straps

CATALOG #	TRADE SIZE	UNIT CARTON QTY.	SHIP CARTON QTY.	BAR CODE
One Hole Straps - Stamped Steel				
*1301	3/8"	—	100	—
1302	1/2"	—	100	—
1303	3/4"	—	100	—
1304	1"	—	50	—
1305	1-1/4"	—	25	—
1306	1-1/2"	—	25	—
1308	2"	—	25	—
1310	2-1/2"	—	10	—
1312	3"	—	10	—
1314	3-1/2"	—	5	—
1316	4"	—	5	—

*3/8" not Listed

APPLICATION

- For use in mounting Rigid/IMC conduit in wet or dry locations
- RACO® Rigid/IMC conduit straps are suitable for use on liquidtight flexible metal conduit and liquidtight flexible nonmetallic conduit (type B)

PRODUCT FEATURES

- All malleable construction ensures mechanical protection
- All straps are zinc-electroplated for corrosion protection

COMPLIANCES

- - LISTED
- - C22.2 #18 LR57925
- - LISTED E229278

RIGID CLAMP BACKS



CLAMP BACKS - MALLEABLE IRON



Clamp Backs

CATALOG #	TRADE SIZE		UNIT CARTON QTY.	SHIP CARTON QTY.	BAR CODE
	RIGID SIZE	EMT SIZE			
Clamp Backs - Malleable Iron					
1342	1/2"	3/4"	—	100	—
1343	3/4"	1"	—	100	—
1344	1"	1-1/4"	—	50	—
1345	1-1/4"	1-1/2"	—	25	—
1346	1-1/2"	2"	—	25	—
1348	2"	2"	—	10	—
1347	2-1/2"	2-1/2"	—	10	—
1349	3"	3"	—	10	—
1350	3-1/2"	3-1/2"	—	5	—
1351	4"	4"	—	5	—

APPLICATION

- For use with RACO® 1300 Series straps to permit space between the conduit and the mounting surface
- Use of clamp backs in outdoor locations can prevent the buildup of snow and rain between the conduit and the mounting surface

PRODUCT FEATURES

- All malleable construction ensures durability and mechanical protection
- Elongated bolt holes make alignment with straps easy

COMPLIANCE

- UL Listed E195968



LIQUIDTIGHT CONDUIT AND CORD CONNECTORS

STRAIGHT CONNECTORS



**Insulated
Steel/Malleable Iron**



**Uninsulated
Steel/Malleable Iron**

APPLICATIONS

- For use in outdoor or indoor locations on flexible metallic liquidtight conduit and Type B flexible nonmetallic liquidtight conduit
- Use to positively bond the conduit to a box or enclosure
- RACO® liquidtight connectors are suitable for use in Class I, Div 2; Class II, Div 1 & 2; and Class III, Div 1 & 2 hazardous locations

PRODUCT FEATURES

- Unique split-glandring is designed to slip onto the conduit quickly and to grip the jacket of the conduit, speeding installation, assuring a perfect seal, and preventing pullouts
- All components are reusable - RACO® liquidtight connectors may be easily disassembled and reused after years of service
- Sealing washer (included) provides a liquidtight seal when terminating the connector in a threadless opening
- Heavy duty locknut included with every RACO® liquidtight connector assures continuity of ground
- All steel/iron components are zinc-electroplated for added corrosion protection
- UPC bar coded fittings are individually polybagged with a preprinted UPC-A bar code and packaged in pre-scored tear top cartons for attractive presentation

BODIES – STRAIGHT

- Malleable Iron - 3/8" to 4"

NUTS – STRAIGHT, 45°

- Steel - 3/8" to 1"
- Malleable Iron - 1-1/4" to 4"

COMPLIANCES

- - Standard 514B
UL Listed E195969
- - C22.2 #18

INSULATED CATALOG #	UNINSULATED CATALOG #	TRADE SIZE	UNIT CARTON QTY.	SHIP CARTON QTY.	BAR CODE
Straight - Insulated and Uninsulated – Steel/Malleable Iron					
*3511RAC	—	3/8"	25	100	—
—	3401	3/8"	50	200	—
—	3401-8	3/8"	1	15	
3512RAC	3402	1/2"	50	200	—
3512-8	3402-8	1/2"	1	15	
3513RAC	3403	3/4"	25	100	—
3513-8	3403-8	3/4"	1	10	
3514RAC	3404	1"	—	10	—
3514-8	3404-8	1"	1	5	
3515RAC	3405	1-1/4"	—	10	—
3516	3406	1-1/2"	—	5	—
3518	3408	2"	—	5	—
3520	3410	2-1/2"	—	1	—
3522	3412	3"	—	1	—
3524	3414	3-1/2"	—	1	—
3526	3416	4"	—	1	—

45° CONNECTORS



Insulated Malleable Iron



Uninsulated Malleable Iron

INSULATED CATALOG #	UNINSULATED CATALOG #	TRADE SIZE	UNIT CARTON QTY.	SHIP CARTON QTY.	BAR CODE
45° Insulated and Uninsulated – Malleable Iron					
3561	3441	3/8"	—	25	—
3562	3442	1/2"	—	25	—
3563	3443	3/4"	—	25	—
3564	3444	1"	—	10	—
3565	3445	1-1/4"	—	10	—
3566	3446	1-1/2"	—	5	—
3568	3448	2"	—	5	—

* 1/2" Trade size hub

** Operating Temperature – Due to the limiting factors of nylon, metallic liquidtight flexible conduit fittings will continuously perform in the range of -40°F to +225°F (-40°C to +107°C)

SEE END OF SECTION (PG B108) FOR DETAILED DRAWINGS >>



90° CONNECTORS

**Insulated
Steel/Malleable Iron**

**Uninsulated
Steel/Malleable Iron**

INSULATED CATALOG #	UNINSULATED CATALOG #	TRADE SIZE	UNIT CARTON QTY.	SHIP CARTON QTY.	BAR CODE
90° Insulated and Uninsulated – Steel/Malleable Iron					
3541RAC*	3421*	3/8"	25	100	—
—	3421-8*	3/8"	1	15	
3542	3422	1/2"	25	100	—
3542-8	3422-8	1/2"	1	15	
3543	3423	3/4"	25	100	—
3543-8	3423-8	3/4"	1	10	
3544	3424	1"	—	10	—
3544-8	3424-8	1"	1	5	
3545	3425	1-1/4"	—	10	—
—	3425-8	1-1/4"	1	3	
3546	3426	1-1/2"	—	5	—
—	3426-8	1-1/2"	1	3	
3548	3428	2"	—	5	—
3550	3430	2-1/2"	—	1	—
3552	3432	3"	—	1	—
3556	3436	4"	—	1	—

* 1/2" Trade size hub

** Operating Temperature – Due to the limiting factors of nylon, metallic liquidtight flexible conduit fittings will continuously perform in the range of -40°F to +225°F (-40°C to +107°C)

APPLICATIONS

- For use in outdoor or indoor locations on flexible metallic liquidtight conduit and Type B flexible nonmetallic liquidtight conduit
- Use to positively bond the conduit to a box or enclosure
- RACO® liquidtight connectors are suitable for use in Class I, Div 2; Class II, Div 1 & 2; and Class III, Div 1 & 2 hazardous locations

PRODUCT FEATURES

- Unique split-gland ring is designed to slip onto the conduit quickly gripping the jacket of the conduit, speeding installation, assuring a perfect seal, and preventing pullouts
- All components are reusable - RACO® liquidtight connectors may be easily disassembled and reused after years of service
- Sealing washer (included) provides a liquidtight seal when terminating the connector in a threadless opening
- Heavy duty locknut included with every RACO® liquidtight connector assures continuity of ground
- All steel/iron components are zinc-electroplated for added corrosion protection
- UPC bar coded fittings are individually polybagged with a preprinted UPC-A bar code and packaged in pre-scored tear top cartons for an attractive presentation

BODIES – 90°

- Malleable Iron - 3/8" to 4"

NUTS – 90°

- Steel - 3/8" to 1"
- Malleable Iron - 1-1/4" to 4"

COMPLIANCES

- - Standard 514B
UL LISTED E195969
- - C22.2 #18



STRAIGHT CONNECTORS



**Insulated
Die-Cast Zinc**



**Uninsulated
Die-Cast Zinc**

APPLICATIONS

- For use in outdoor or indoor locations on flexible metallic liquidtight conduit and Type B flexible nonmetallic liquidtight conduit
- Use to positively bond the conduit to a box or enclosure

PRODUCT FEATURES

- Unique split-glandring is designed to slip onto the conduit quickly and to grip the jacket of the conduit, speeding installation, assuring a perfect seal, and preventing pullouts
- All components are reusable - RACO® liquid-tight connectors may be easily disassembled and reused after years of service
- Sealing washer (included) provides a liquid-tight seal when terminating the connector in a threadless opening
- Heavy duty locknut included with every RACO® liquidtight connector assures continuity of ground

COMPLIANCE

- - Standard 514B
Conduit Fittings
3HNN

INSULATED CATALOG #	UNINSULATED CATALOG #	TRADE SIZE	UNIT CARTON QTY.	SHIP CARTON QTY.	BAR CODE	METRIC DESIGNATOR	TIGHTENING TORQUE	
							N-m	(lbf-in)
Straight - Insulated and Uninsulated – Die-Cast Zinc								
3511DC*	3401DC*	3/8"	50	200	—	12	22.6b	200
3512DC	3402DC	1/2"	50	200	—	16	33.9	300
3513DC	3403DC	3/4"	25	100	—	21	56.5	500
3514DC	3404DC	1"	—	10	—	27	79.1	700
3515DC	3405DC	1-1/4"	—	10	—	35	113	1000
3516DC	3406DC	1-1/2"	—	5	—	41	136	1200
3518DC	3408DC	2"	—	5	—	53	181	1600
3520DC	—	2-1/2"	—	1	—	63	181	1600
3522DC	—	3"	—	1	—	78	181	1600
3524DC	—	3-1/2"	—	1	—	91	181	1600
3526DC	—	4"	—	1	—	103	181	1600

90° CONNECTORS



**Insulated
Die-Cast Zinc**



**Uninsulated
Die-Cast Zinc**

INSULATED CATALOG #	UNINSULATED CATALOG #	TRADE SIZE	UNIT CARTON QTY.	SHIP CARTON QTY.	BAR CODE	METRIC DESIGNATOR	TIGHTENING TORQUE	
							N-m	(lbf-in)
90° Insulated and Uninsulated – Die Cast Zinc								
3541DC*	3421DC*	3/8"	25	100	—	12	22.6b	200
3542DC	3422DC	1/2"	25	100	—	16	33.9	300
3543DC	3423DC	3/4"	25	100	—	21	56.5	500
3544DC	3424DC	1"	—	10	—	27	79.1	700
3545DC	3425DC	1-1/4"	—	10	—	35	113	1000
3546DC	3426DC	1-1/2"	—	5	—	41	136	1200
3548DC	3428DC	2"	—	5	—	53	181	1600
3550DC	—	2-1/2"	—	1	—	63	181	1600
3552DC	—	3"	—	1	—	78	181	1600
3554DC	—	3-1/2"	—	1	—	91	181	1600
3556DC	—	4"	—	1	—	103	181	1600

* 1/2" Trade size hub

b A 3/8 (12) trade-size fitting for use with liquid-tight flexible metal conduit shall be tightened with a torque of 26.5 N-m (235 lbf-in).

STRAIGHT, GROUNDING TYPE CONNECTORS



**Insulated w/Ground Lug
Steel/Malleable Iron**

CATALOG #	TRADE SIZE	UNIT CARTON QTY.	SHIP CARTON QTY.	GROUNDING WIRE CAPACITY		BAR CODE
				MINIMUM	MAXIMUM	
Straight - Insulated with Ground Lug – Steel/Malleable Iron						
3511-3*	3/8"	—	25	#14 SOL.	#4 STR.	—
3512-3	1/2"	—	25	#14 SOL.	#4 STR.	—
3513-3	3/4"	—	25	#14 SOL.	#4 STR.	—
3514-3	1"	—	10	#14 SOL.	#4 STR.	—
3515-3	1-1/4"	—	10	#14 SOL.	#4 STR.	—
3516-3	1-1/2"	—	5	#14 SOL.	#4 STR.	—
3518-3	2"	—	5	#14 SOL.	#4 STR.	—
3520-3	2-1/2"	—	1	#14 SOL.	#1/0 STR.	—
3522-3	3"	—	1	#14 SOL.	#1/0 STR.	—
3524-3	3-1/2"	—	1	#6 STR.	#250 MCM	—
3526-3	4"	—	1	#6 STR.	#250 MCM	—

* 1/2" Trade size hub

APPLICATIONS

- For use in outdoor or indoor locations on flexible metallic liquidtight conduit, when installation of a copper or aluminum external bonding jumper is required
- RACO® grounding liquidtight connectors are suitable for use in Class I, Div 2; Class II, Div 1 & 2; and Class III, Div 1 & 2 hazardous locations

PRODUCT FEATURES

- Unique split-gland ring is designed to slip onto the conduit quickly gripping the jacket of the conduit, speeding installation, assuring a perfect seal, and preventing pullouts
- All components are reusable - RACO® liquidtight connectors may be easily disassembled and reused after years of service
- Sealing washer (included) provides a liquidtight seal when terminating the connector in a threadless opening
- Heavy duty locknut included with every RACO® liquidtight connector assures continuity of ground
- All metallic components are zinc-electroplated for added corrosion protection

BODIES

- 3/8" to 1" Steel, 1-1/4" to 4" Malleable Iron

NUTS

- 3/8" to 1" Steel, 1-1/4" to 4" Malleable Iron

COMPLIANCES

- - Standard 514B
UL LISTED E195969
- - C22.2 #18





45° INSULATED CONNECTOR, GROUNDING TYPE



Insulated w/Ground Lug
Steel/Malleable Iron

APPLICATIONS

- For use in outdoor or indoor locations on flexible metallic liquidtight conduit, when installation of a copper or aluminum external bonding jumper is required
- RACO® grounding liquidtight connectors are suitable for use in Class I, Div 2; Class II, Div 1 & 2; and Class III, Div 1 & 2 hazardous locations

PRODUCT FEATURES

- Split-glandring is designed to slip onto the conduit quickly and to grip the jacket of the conduit, speeding installation, assuring a perfect seal, and preventing pullouts
- Malleable iron castings mate with other components perfectly without strain or distortion
- All components are reusable - RACO® liquidtight connectors may be easily disassembled and reused after years of service
- Sealing washer (included) provides a liquidtight seal when terminating the connector in a threadless opening
- Heavy duty locknut included with every RACO® liquidtight connector assures continuity of ground
- All metallic components are zinc-electroplated for added corrosion protection

BODIES

- 3/8" to 2" Malleable Iron

NUTS

- 3/8" to 1" Steel, 1-1/4" to 2" Malleable Iron

COMPLIANCES

- - Standard 514B
UL LISTED E195969
- - C22.2 #18

CATALOG #	TRADE SIZE	UNIT CARTON QTY.	SHIP CARTON QTY.	GROUNDING WIRE CAPACITY		BAR CODE
				MINIMUM	MAXIMUM	
45° - Insulated with Ground Lug - Steel/Malleable Iron						
3561-3*	3/8"	—	25	#14 SOL.	#4 STR.	—
3562-3	1/2"	—	25	#14 SOL.	#4 STR.	—
3563-3	3/4"	—	25	#14 SOL.	#4 STR.	—
3564-3	1"	—	10	#14 SOL.	#4 STR.	—
3565-3	1-1/4"	—	10	#14 SOL.	#4 STR.	—
3566-3	1-1/2"	—	5	#14 SOL.	#4 STR.	—
3568-3	2"	—	5	#14 SOL.	#4 STR.	—

* 1/2" Trade size hub



90° INSULATED CONNECTOR, GROUNDING TYPE



Insulated w/Ground Lug
Steel/Malleable Iron

CATALOG #	TRADE SIZE	UNIT CARTON QTY.	SHIP CARTON QTY.	GROUNDING WIRE CAPACITY		BAR CODE
				MINIMUM	MAXIMUM	
90° - Insulated with Ground Lug - Steel/Malleable Iron						
3541-3*	3/8"	—	25	#14 SOL.	#4 STR.	—
3542-3	1/2"	—	25	#14 SOL.	#4 STR.	—
3543-3	3/4"	—	25	#14 SOL.	#4 STR.	—
3544-3	1"	—	10	#14 SOL.	#4 STR.	—
3545-3	1-1/4"	—	10	#14 SOL.	#4 STR.	—
3546-3	1-1/2"	—	5	#14 SOL.	#4 STR.	—
3548-3	2"	—	5	#14 SOL.	#4 STR.	—
3550-3	2-1/2"	—	1	#14 SOL.	#1/0 STR.	—
3552-3	3"	—	1	#14 SOL.	#1/0 STR.	—
3556-3	4"	—	1	#6 STR.	#250 MCM	—

* 1/2" Trade size hub

APPLICATIONS

- For use in outdoor or indoor locations on flexible metallic liquidtight conduit, when installation of a copper or aluminum external bonding jumper is required
- RACO® grounding liquidtight connectors are suitable for use in Class I, Div 2; Class II, Div 1 & 2; and Class III, Div 1 & 2 hazardous locations

PRODUCT FEATURES

- Split-gland ring is designed to slip onto the conduit quickly gripping the jacket of the conduit, speeding installation, assuring a perfect seal, and preventing pullouts
- Malleable iron castings mate with other components perfectly without strain or distortion
- All components are reusable - RACO® liquidtight connectors may be easily disassembled and reused after years of service
- Sealing washer (included) provides a liquidtight seal when terminating the connector in a threadless opening
- Heavy duty locknut included with every RACO® liquidtight connector assures continuity of ground
- All metallic components are zinc-electroplated for added corrosion protection

BODIES

- 3/8" to 4" Malleable Iron

NUTS

- 3/8" to 1" Steel, 1-1/4" to 4" Malleable Iron

COMPLIANCE

- - Standard 514B
UL LISTED E195969





SEALING WASHERS - STEEL



Sealing Washers*

APPLICATIONS

- For use whenever a positive seal is required between the shoulder of a fitting and an enclosure

PRODUCT FEATURES

- One piece construction assures proper installation - no need to worry about aligning multiple components
- Steel ring is zinc-electroplated for added corrosion protection
- UPC bar coded fittings are individually polybagged with a preprinted UPC-A bar code and packaged in pre-scored tear top cartons for an attractive presentation

COMPLIANCES

- - Standard 514B
UL LISTED E195973
- - C22.2 #18

CATALOG #	TRADE SIZE	UNIT CARTON QTY.	SHIP CARTON QTY.	BAR CODE
One Hole Push-on Straps - Stamped Steel				
2452	1/2"	—	100	—
2452-8	1/2"	—	20 bags of 2	
2453	3/4"	—	50	—
2453-8	3/4"	—	20 bags of 2	
2454	1"	—	25	—
2454-8	1"	—	10 bags of 2	
2455	1-1/4"	—	25	—
2456	1-1/2"	—	25	—
2458	2"	—	25	—

* One-piece steel ring and neoprene gasket, raintight
Temperature rating: -20°F to +212°F

TYPE B CONNECTORS FOR TYPE B NONMETALLIC CONDUIT - NONMETALLIC



Straight Connectors
Nylon - for Type B Conduit

CATALOG #	TRADE SIZE	UNIT CARTON QTY.	SHIP CARTON QTY.	BAR CODE
Straight Connectors - Nylon				
4721*	3/8"	—	25	—
4722	1/2"	—	25	—
4722-8	1/2"	1	20	
4723	3/4"	—	25	—
4723-8	3/4"	1	15	
4724	1"	—	10	—
4724-8	1"	1	10	
4725	1-1/4"	—	10	—
4726	1-1/2"	—	5	—
4728	2"	—	5	—

* 1/2" Trade size hub



SWIVEL-LOK Straight Position



SWIVEL-LOK 90° Position

CATALOG #	TRADE SIZE	UNIT CARTON QTY.	SHIP CARTON QTY.	BAR CODE
SWIVEL-LOK Multiposition Connectors - Nylon for Type B Conduit				
4731*	3/8"	—	25	—
4732	1/2"	—	25	—
4732-8	1/2"	1	20	
4733	3/4"	—	25	—
4733-8	3/4"	1	15	
4734	1"	—	10	—
4734-8	1"	1	10	

APPLICATIONS

- For use in dry or wet locations when the conduit and fittings are not subject to physical damage
- Use Type B conduit and fittings whenever flexibility is required for installation, operation, or maintenance

PRODUCT FEATURES

- All gray nonmetallic construction provides superior corrosion resistance
- Each connector is supplied with a Neoprene O-ring and nylon gasket
- SWIVEL-LOK, multi-position connector (trade sizes 3/8" to 1") twists from 0° to 90°, easing installation in difficult locations and eliminating need to stock other angle connectors
- UPC bar coded fittings are individually polybagged with a preprinted UPC-A bar code and packaged in pre-scored tear top cartons for an attractive presentation

COMPLIANCES

- - Standard 514B
- - C22.2 #18
- NEMA Type 4x, 12 and 13





CONNECTORS FOR EXTRA FLEXIBLE TUBING - NONMETALLIC

STRAIN RELIEF CORD CONNECTORS - STEEL/MALLEABLE IRON



Straight Connectors
Nylon - for Extra Flexible Tubing

APPLICATIONS

- For use in dry or wet locations when the conduit and fittings are not subject to physical damage
- Use extra flexible tubing and connectors whenever added flexibility is required for installation, operation, or maintenance

PRODUCT FEATURES

- All black nonmetallic construction ends metal fatigue and separation problems and provides superior corrosion resistance
- Each connector is supplied with a Neoprene O-ring and nylon gasket
- SWIVEL-LOK, multiposition connector (trade sizes 3/8" to 1") twists from 0° to 90°, easing installation in difficult locations and eliminating need to stock other angle connectors

COMPLIANCES

- - Standard 514B
- - C22.2 #18
- NEMA Type 4x, 12 and 13

CATALOG #	TRADE SIZE	UNIT CARTON QTY.	SHIP CARTON QTY.	BAR CODE
Straight Connectors - Nylon				
4741*	3/8"	—	25	—
4742	1/2"	—	25	—
4743	3/4"	—	25	—
4744	1"	—	10	—
4745	1-1/4"	—	10	—
4746	1-1/2"	—	5	—
4748	2"	—	5	—

* 1/2" Trade size hub



SWIVEL-LOK Straight Position
Nylon - for Extra Flexible Tubing



SWIVEL-LOK 90° Position
Nylon - for Extra Flexible Tubing

CATALOG #	TRADE SIZE	UNIT CARTON QTY.	SHIP CARTON QTY.	BAR CODE
SWIVEL-LOK Multiposition Connectors - Nylon for Extra Flexible Tubing				
4751*	3/8"	—	25	—
4752	1/2"	—	25	—
4753	3/4"	—	25	—
4754	1"	—	10	—

* 1/2" Trade size hub



Straight Connectors

CATALOG #	CABLE RANGE INCHES	UNIT CARTON QTY.	SHIP CARTON QTY.	BAR CODE
Straight Connectors - Steel/Malleable Iron				
<i>1/2" Hubs - Form 1</i>				
3702-1	.125 - .250	—	25	—
3702-2	.250 - .375	—	25	—
3782-2	.250 - .375	1	15	
3702-3	.375 - .425	—	25	—
3702-4	.425 - .500	—	25	—
<i>1/2" Hubs - Form 2</i>				
3702-5	.375 - .500	—	25	—
3782-5	.375 - .500	1	15	
3702-6	.500 - .600	—	25	—
3782-6	.500 - .600	1	15	
<i>3/4" Hubs - Form 3</i>				
3703-1	.250 - .375	—	25	—
3703-2	.375 - .500	—	25	—
3703-3	.500 - .600	—	25	—
3703-4	.600 - .700	—	25	—
3703-6	.650 - .700	—	25	—
3703-5	.700 - .850	—	25	—
<i>1" Hubs - Form 4</i>				
3704-1	.600 - .700	—	25	—
3704-2	.700 - .850	—	25	—
3704-3	.850 - 1.000	—	25	—
<i>1-1/4" Hubs - Form 5</i>				
3705-1	.850 - 1.000	—	25	—
3705-2	1.000 - 1.250	—	25	—
3705-3	1.250 - 1.400	—	25	—
<i>1-1/2" Hubs - Form 6</i>				
3706-1	1.000 - 1.250	—	10	—
3706-2	1.250 - 1.400	—	10	—

APPLICATIONS

- For use in dry or wet locations to provide a liquidtight and strain relief termination for flexible cord and cable
- RACO® liquidtight strain relief cord connectors are suitable for use in Class I, Div 2; Class II, Div 1 & 2; and Class III, Div 1 & 2 hazardous locations

PRODUCT FEATURES

- All steel/malleable construction provides mechanical strength
- Unique Neoprene grommet design - grommet is forced up and around the cord when the nut is tightened for a positive liquidtight seal
- Washers have size range imprinted for identification - eliminates misidentifying inventory
- Use RACO® locknuts and sealing washers to complete a liquidtight installation on a sheet metal box or panel
- All metallic components are zinc-electroplated for corrosion protection
- UPC bar coded fittings are individually polybagged with a preprinted UPC-A bar code and packaged in pre-scored tear top cartons for attractive presentation

BODIES

- 3/8" to 1" Steel, 1-1/4" to 1-1/2" Malleable Iron

NUTS

- 3/8" to 1" Steel, 1-1/4" to 1-1/2" Malleable Iron

COMPLIANCE

- UL FILE E195973





COLOR-CODED CORD GRIP CONNECTORS



Straight Connectors

APPLICATIONS

- For use in wet or dry locations to provide a liquidtight and strain relief termination for flexible cord and cable. RACO® liquidtight strain relief cord connectors are suitable for use in Class I, Div. 2, Class II, Div. 1 and 2; Class III, Div. 1 and 2 hazardous locations.

PRODUCT FEATURES

- Straight connectors are available in steel; 45° and 90° connectors available in malleable iron
- Neoprene grommets are color-coded by cable diameter allowing for quick and easy identification
- Steel and malleable iron construction provides mechanical strength and durability
- Metallic components are zinc-electroplated for corrosion protection
- Unique grommet design is forced up and around the cord when the nut is tightened creating a liquidtight seal
- Time saving and easy installation - no need to disassemble the fitting for cord installation
- Male tapered thread NPT

COMPLIANCE

- LISTED E195973
- NEMA 4

CATALOG #	TRADE SIZE	GROMMET COLOR	CABLE RANGE (IN.)	SHIP CTN. QTY.	BARCODE
Straight Connectors					
3722-0	1/2"	Red	.15-.25	25	
3722-1	1/2"	White	.25-.35	25	
3722-2	1/2"	Blue	.35-.45	25	
3722-3	1/2"	Green	.45-.56	25	
3722-4	1/2"	Brown	.55-.65	25	
3723-0	3/4"	Red	.15-.25	25	
3723-1	3/4"	White	.25-.35	25	
3723-2	3/4"	Blue	.35-.45	25	
3723-3	3/4"	Green	.45-.56	25	
3723-4	3/4"	Brown	.55-.65	25	
3723-6	3/4"	Yellow	.65-.75	25	
3723-5	3/4"	Purple	.75-.85	25	
3724-0	1"	Green	.45-.56	25	
3724-1	1"	Brown	.55-.65	25	
3724-5	1"	Yellow	.65-.75	25	
3724-2	1"	Purple	.75-.85	25	
3724-3	1"	Gray	.85-.95	25	
3724-4	1"	Black	.95-1.05	25	
3725-0	1-1/4"	Purple	.75-.85	25	
3725-1	1-1/4"	Gray	.85-.95	25	
3725-2	1-1/4"	Black	.95-1.05	25	
3725-4	1-1/4"	Orange	1.05-1.15	25	
3725-5	1-1/4"	Red	1.15-1.25	25	
3725-3	1-1/4"	White	1.25-1.375	25	
3726-0	1-1/2"	Black	.95-1.05	25	
3726-1	1-1/2"	Orange	1.05-1.15	25	
3726-2	1-1/2"	Red	1.15-1.25	10	
3726-3	1-1/2"	White	1.25-1.375	10	



COLOR-CODED CORD GRIP CONNECTORS



90° Connectors

45° Connectors

CATALOG #	TRADE SIZE	GROMMET COLOR	CABLE RANGE (IN.)	SHIP CTN. QTY.	BARCODE
90° Connectors					
3794-0	1/2"	Red	.15-.25	25	
3794-1	1/2"	White	.25-.35	25	
3794-2	1/2"	Blue	.35-.45	25	
3794-3	1/2"	Green	.45-.56	25	
3794-4	1/2"	Brown	.55-.65	25	
3795-0	3/4"	Red	.15-.25	10	
3795-1	3/4"	White	.25-.35	10	
3795-2	3/4"	Blue	.35-.45	10	
3795-3	3/4"	Green	.45-.56	10	
3795-4	3/4"	Brown	.55-.65	10	
3795-5	3/4"	Yellow	.65-.75	10	
3795-6	3/4"	Purple	.75-.85	10	
3796-0	1"	Green	.45-.56	10	
3796-1	1"	Brown	.55-.65	10	
3796-2	1"	Yellow	.65-.75	10	
3796-3	1"	Purple	.75-.85	10	
3796-4	1"	Gray	.85-.95	10	
3796-5	1"	Black	.95-1.05	10	
45° Connectors					
3745-0	1/2"	Red	.15-.25	25	
3745-1	1/2"	White	.25-.35	25	
3745-2	1/2"	Blue	.35-.45	25	
3745-3	1/2"	Green	.45-.56	25	
3745-4	1/2"	Brown	.55-.65	25	
3746-0	3/4"	Red	.15-.25	10	
3746-1	3/4"	White	.25-.35	10	
3746-2	3/4"	Blue	.35-.45	10	
3746-3	3/4"	Green	.45-.56	10	
3746-4	3/4"	Brown	.55-.65	10	
3746-5	3/4"	Yellow	.65-.75	10	
3746-6	3/4"	Purple	.75-.85	10	
3747-0	1"	Green	.45-.56	10	
3747-1	1"	Brown	.55-.65	10	
3747-2	1"	Yellow	.65-.75	10	
3747-3	1"	Purple	.75-.85	10	
3747-4	1"	Gray	.85-.95	10	
3747-5	1"	Black	.95-1.05	10	

APPLICATIONS

- For use in wet or dry locations to provide a liquidtight and strain relief termination for flexible cord and cable. RACO® liquidtight strain relief cord connectors are suitable for use in Class I, Div. 2, Class II, Div. 1 and 2; Class III, Div. 1 and 2 hazardous locations.

PRODUCT FEATURES

- Straight connectors are available in steel; 45° and 90° connectors available in malleable iron
- Neoprene grommets are color-coded by cable diameter allowing for quick and easy identification
- Steel and malleable iron construction provides mechanical strength and durability
- Metallic components are zinc-electroplated for corrosion protection
- Unique grommet design is forced up and around the cord when the nut is tightened creating a liquidtight seal
- Time saving and easy installation - no need to disassemble the fitting for cord installation
- Male tapered thread NPT

COMPLIANCE

- LISTED E195973
- NEMA 4





90° STRAIN RELIEF CORD CONNECTORS - STEEL/MALLEABLE IRON



90° Connectors

APPLICATIONS

- For use in dry or wet locations to provide a liquidtight and strain relief termination for flexible cord and cable
- RACO® liquidtight strain relief cord connectors are suitable for use in Class I, Div 2; Class II, Div 1 & 2; and Class III, Div 1 & 2 hazardous locations

PRODUCT FEATURES

- All steel/malleable construction provides mechanical strength
- Unique Neoprene grommet design - grommet is forced up and around the cord when the nut is tightened for a positive liquidtight seal
- Washers have size range imprinted for identification - eliminates misidentifying inventory
- Use RACO® locknuts and sealing washers to complete a liquidtight installation on a sheet metal box or panel
- All metallic components are zinc-electroplated for corrosion protection

BODIES

- 1/2" to 3/4" Malleable Iron

NUTS

- 1/2" to 3/4" Steel

COMPLIANCE

- UL FILE E195973

CATALOG #	CABLE RANGE INCHES	UNIT CARTON QTY.	SHIP CARTON QTY.	BAR CODE
90° Connectors - Malleable Iron				
<i>1/2" Hubs - Form 1</i>				
3792-1	.125 - .250	—	25	—
3792-2	.250 - .375	—	25	—
3792-3	.375 - .425	1	25	—
3792-4	.425 - .500	—	25	—
<i>1/2" Hubs - Form 2</i>				
3792-5	.375 - .500	—	25	—
3792-6	.500 - .600	1	25	—
<i>3/4" Hubs - Form 3</i>				
3793-1	.250 - .375	—	10	—
3793-2	.375 - .500	—	10	—
3793-3	.500 - .600	—	10	—
3793-4	.600 - .650	—	10	—
3793-6	.650 - .700	—	10	—
3793-5	.700 - .850	—	10	—

STRAIN RELIEF CORD CONNECTORS - NONMETALLIC



Straight Connectors Nylon

CATALOG #	CABLE RANGE INCHES	UNIT CARTON QTY.	SHIP CARTON QTY.	BAR CODE
Straight Connectors - Nylon				
<i>1/4" Hubs - Form 1</i>				
4699-5	.312 - .375	—	25	—
<i>3/8" Hubs - Form 1</i>				
4700-5	.312 - .375	—	25	—
4700-6	.375 - .437	1	25	—
<i>1/2" Hubs - Form 2</i>				
4702-1	.062 - .125	—	25	—
4702-3	.187 - .250	—	25	—
4702-4	.250 - .375	—	25	—
4702-5	.375 - .500	—	25	—
4702-6	.500 - .625	—	25	—
<i>3/4" Hubs - Form 3</i>				
4703-1	.375 - .500	—	15	—
4703-2	.500 - .625	—	15	—
4703-3	.625 - .750	—	15	—
4703-4	.750 - .875	—	15	—
<i>1" Hubs - Form 4</i>				
4704-3	.625 - .750	—	10	—
4704-5	.875 - 1.000	—	10	—
4704-6	1.000 - 1.125	—	10	—

APPLICATIONS

- For use in dry or wet locations to provide a liquidtight and strain relief termination for flexible cord and cable
- RACO® liquidtight strain relief cord connectors are suitable for use in Class I, Div 2; Class II, Div 1 & 2; and Class III, Div 1 & 2 hazardous locations

PRODUCT FEATURES

- Nylon construction is lightweight and easy to use
- Neoprene grommet
- Resists most common industrial corrosives
- Color-coded gotcha ring provides fast identification of cord size

DIA. RANGE INCHES	COLOR CODE
.062 - .125	Green
.187 - .250	Red
.250 - .312	Black
.312 - .375	White
.250 - .375	White
.375 - .437	Blue
.375 - .500	Blue
.500 - .625	Brown
.625 - .750	Yellow
.750 - .875	Purple
.875 - 1.000	Gray
1.000 - 1.125	Pink

COMPLIANCES

- - Standard 514B
- - C22.2 #18





STRAIGHT STRAIN RELIEF CORD CONNECTORS - ALUMINUM



Straight Connectors

APPLICATIONS

- For use in dry or wet locations to provide a liquidtight and strain relief termination for flexible cord and cable
- Aluminum liquidtight strain relief cord connectors are suitable for use in Class I, Div 2; Class II, Div 1 & 2; and Class III, Div 1 & 2 hazardous locations

PRODUCT FEATURES

- Aluminum construction provides a corrosion resistant installation
- Unique gotcha ring incorporates a split hinge design to prevent friction and to provide strain relief
- Neoprene grommet
- Knurled compression nut allows the fittings to be hand tightened to UL requirements
- Gotcha ring is color-coded for sizing identification

DIAMETER RANGE	COLOR CODE
.062 - .125	Green
.125 - .187	Orange
.187 - .250	Red
.250 - .312	Black
.312 - .375	White
.250 - .375	White
.375 - .437	Blue
.375 - .500	Blue
.500 - .625	Brown
.625 - .750	Yellow
.750 - .875	Purple
.875 - 1.000	Gray
1.000 - 1.125	Pink

COMPLIANCES

- - Standard 514B
- - C22.2 #18

CATALOG #	CABLE RANGE INCHES	UNIT CARTON QTY.	SHIP CARTON QTY.	BAR CODE
Straight Connectors - Aluminum				
<i>1/2" Hubs - Form 1</i>				
4801-2	.187 - .250	—	25	—
4801-3	.250 - .312	—	25	—
4801-4	.312 - .375	—	25	—
4801-5	.375 - .437	—	25	—
<i>1/2" Hubs - Form 2</i>				
4801-0	.062 - .125	—	25	—
4801-1	.125 - .187	—	25	—
4802-4	.375 - .500	—	25	—
4802-5	.500 - .625	—	25	—
<i>1/2" Hubs - Form 3</i>				
4802-8	.625 - .750	—	15	—
4802-9	.750 - .875	—	15	—
<i>3/4" Hubs - Form 2</i>				
4803-2	.187 - .250	—	25	—
4803-3	.250 - .375	—	25	—
4803-4	.375 - .500	—	25	—
4803-5	.500 - .625	—	25	—
<i>3/4" Hubs - Form 3</i>				
4803-8	.625 - .750	—	15	—
4803-9	.750 - .875	—	15	—
<i>1" Hubs - Form 4</i>				
4804-0	.375 - .500	—	10	—
4804-1	.500 - .625	—	10	—
4804-2	.625 - .750	—	10	—
4804-3	.750 - .875	—	10	—
4804-4	.875 - 1.000	—	10	—
4804-5	1.000 - 1.250	—	10	—

STRAIGHT SQUEEZE CONNECTORS - MALLEABLE IRON



Straight Squeeze Connectors Insulated



Straight Squeeze Connectors Uninsulated

CATALOG #	TRADE SIZE	UNIT CARTON QTY.	SHIP CARTON QTY.	BAR CODE
Straight Squeeze Connectors, Insulated - Malleable Iron				
3301	3/8"*	—	50	—
3302	1/2"	—	50	—
3302-8	1/2"	1	25	
3303	3/4"	—	25	—
3303-8	3/4"	1	20	
3304	1"	—	25	—
3304-8	1"	1	5	
3305	1-1/4"	—	25	—
3306	1-1/2"	—	25	—
3308	2"	—	10	—
3310	2-1/2"	—	1	—
3312	3"	—	1	—
3314	3-1/2"	—	1	—
3316	4"	—	1	—
Straight Squeeze Connectors, Uninsulated - Malleable Iron				
2101	3/8"*	—	50	—
2102	1/2"	—	50	—
2102-8	1/2"	1	25	
2103	3/4"	—	25	—
2103-8	3/4"	1	20	
2104	1"	—	25	—
2104-8	1"	1	5	
2105	1-1/4"	—	25	—
2106	1-1/2"	—	25	—
2108	2"	—	10	—
2110	2-1/2"	—	5	—
2112	3"	—	5	—
2114	3-1/2"	—	1	—
2116	4"	—	1	—

* For 1/2" knockout

APPLICATIONS

- For use in dry locations to bond flexible metal conduit to a box or enclosure

PRODUCT FEATURES

- All malleable construction ensures mechanical protection for the raceway
- Zinc-electroplated for added corrosion protection
- UPC bar coded fittings are individually polybagged with a preprinted UPC-A bar code and packaged in pre-scored tear top cartons for an attractive presentation

COMPLIANCE

- UL Listed E195969





DOUBLE BITE SADDLE CONNECTORS - MALLEABLE IRON/STEEL



Insulated Straight Connectors



90° Insulated Connectors

APPLICATIONS

- Use 3/8" - 1" RACO® Double Bite Saddle Connectors in dry locations to connect flexible metal conduit, MCI, MCI-A and AC cable to a box or enclosure
- Use 1-1/4" to 4" in dry locations to connect flexible metal conduit to a box or enclosure

PRODUCT FEATURES

- Straight connectors have all steel construction that ensures mechanical protection for raceways
- Straight connectors available in 3/8" to 4" trade sizes
- 90° connectors have malleable iron and steel construction for added strength
- 90° connectors available in 3/8" to 1" trade sizes
- Dual saddle clamp ensures proper conduit and cable connection for raceway
- Zinc-electroplated for corrosion resistant installation
- Tri-head screw/clamp design - connectors can be installed by using a slotted, Phillips or Robertson head screwdriver
- Insulated throats on all double bite connectors provide maximum wire protection

COMPLIANCES

- - Standard 514B
UL Listed E195966
- NEMA FB-1

CATALOG #	TRADE SIZE	UNIT CARTON QTY.	SHIP CARTON QTY.	BAR CODE
Straight DOUBLE BITE Saddle Connectors - Steel				
3301DB	3/8"	—	50	—
3302DB	1/2"	—	25	—
3303DB	3/4"	—	10	—
3304DB	1"	—	5	—
3305DB	1-1/4"	—	5	—
3306DB	1-1/2"	—	5	—
3308DB	2"	—	1	—
3310DB	2-1/2"	—	1	—
3312DB	3"	—	1	—
3314DB	3-1/2"	—	1	—
3316DB	4"	—	1	—
90° DOUBLE BITE Saddle Connectors - Steel/Malleable Iron				
3201DB	3/8"	—	50	—
3202DB	1/2"	—	25	—
3203DB	3/4"	—	10	—
3204DB	1"	—	5	—

CABLE RANGE		TRADE SIZE
MAX	MIN	
1.610"	1.150"	1-1/4"
1.950"	1.490"	1-1/2"
2.450"	1.765"	2"
3.060"	2.270"	2-1/2"
3.560"	2.725"	3"
4.060"	3.410"	3-1/2"
4.560"	3.860"	4"



90° SQUEEZE CONNECTORS - MALLEABLE IRON



90° Squeeze Connectors Insulated



90° Squeeze Connectors Uninsulated

INSULATED CATALOG #	UNINSULATED CATALOG #	TRADE SIZE	UNIT CARTON QTY.	SHIP CARTON QTY.	BAR CODE
90° Squeeze Connector, Insulated and Uninsulated - Malleable Iron					
3201	2201	3/8"	—	50	—
3202	—	1/2"	—	25	—
—	2202	1/2"	25	100	—
3202-8	2202-8	1/2"	1	25	
3203	2203	3/4"	—	25	—
3203-8	2203-8	3/4"	1	20	
3204	2204	1"	—	25	—
—	2204-8	1"	1	5	
3205	2205	1-1/4"	—	10	—
3206	2206	1-1/2"	—	5	—
3208	2208	2"	—	5	—
3210	2210	2-1/2"	—	1	—
3212	2212	3"	—	1	—
3214	2214	3-1/2"	—	1	—
3216	2216	4"	—	1	—

* For 1/2" knockout

APPLICATIONS

- For use in dry locations to bond flexible metal conduit to a box or enclosure

PRODUCT FEATURES

- All malleable construction ensures mechanical protection for the raceway
- Zinc-electroplated for added corrosion protection
- UPC bar coded fittings are individually polybagged with a preprinted UPC-A bar code and packaged in pre-scored tear top cartons for an attractive presentation

INSULATED AND UNINSULATED COMPLIANCE

- UL Listed E195969 (excludes 3201)



STRAIGHT SQUEEZE CONNECTORS - DIE-CAST ZINC



Straight Squeeze Uninsulated

APPLICATIONS

- For use in dry locations to bond flexible metal conduit to a box or enclosure

PRODUCT FEATURES

- Rugged metallic construction ensures mechanical protection for the raceway

COMPLIANCES

- - Standard 514B
UL LISTED E195969
- - C22.2 #18 (2191 - 2198)

CATALOG #	TRADE SIZE	UNIT CARTON QTY.	SHIP CARTON QTY.	BAR CODE
Straight Squeeze Connector, Uninsulated – Die-Cast Zinc				
2191	3/8**	50	500	—
2192	1/2"	25	250	—
2193	3/4"	25	250	—
2194	1"	10	100	—
2195RAC	1-1/4"	10	100	—
2196RAC	1-1/2"	5	50	—
2198	2"	10	40	—

* For 1/2" knockout

SCREW-IN TYPE CONNECTORS AND COUPLINGS - DIE-CAST ZINC



Uninsulated Screw-In Connectors



Screw-In Couplings

CATALOG #	TRADE SIZE	UNIT CARTON QTY.	SHIP CARTON QTY.	BAR CODE
Connectors - Screw-in – Die-Cast Zinc				
2281	3/8**	50	500	—
2282	1/2"	50	500	—
2283	3/4"	25	250	—
Couplings - Screw-in – Die-Cast Zinc				
2272	1/2"	50	500	—
2273	3/4"	25	250	—

* 1/2" Trade size hub

APPLICATIONS

- For use in dry locations to bond flexible metal conduit to a box or enclosure

PRODUCT FEATURES

- Rugged metallic construction ensures mechanical protection for the raceway

COMPLIANCES

- - Standard 514B
UL LISTED E195969
- - C22.2 #18

45° AND 90° SQUEEZE CONNECTORS - DIE-CAST ZINC



45° Squeeze Connectors Uninsulated



90° Squeeze Connectors Uninsulated

APPLICATIONS

- For use in dry locations to bond flexible metal conduit to a box or enclosure

PRODUCT FEATURES

- Rugged metallic construction ensures mechanical protection for the raceway

COMPLIANCES

- - Standard 514B (2691 - 2698)
UL FILE E195969
- - C22.2 #18 (2691 - 2698)
- - (2221 - 2222)

CATALOG #	TRADE SIZE	UNIT CARTON QTY.	SHIP CARTON QTY.	BAR CODE
45° Squeeze Connector, Uninsulated – Malleable Iron - Die-Cast Zinc				
2221	3/8**	—	25	—
2222	1/2"	—	25	—
90° Squeeze Connector, Uninsulated – Die-Cast Zinc				
2691	3/8**	50	500	—
2692	1/2"	25	250	—
2693	3/4"	10	100	—
2694	1"	5	50	—
2695	1-1/4"	10	40	—
2696	1-1/2"	—	5	—
2698	2"	—	5	—

* For 1/2" knockout

SET SCREW CONNECTORS - DIE-CAST ZINC



2511 Set Screw Connector



2632 Set Screw Connector

CATALOG #	TRADE SIZE	UNIT CARTON QTY.	SHIP CARTON QTY.	BAR CODE
Set Screw Connector – Die-Cast Zinc				
2511	3/8**	100	1000	—
2632	1/2"	25	250	—

* For 1/2" knockout

APPLICATIONS

- For use in dry locations to bond flexible metal conduit to a box or enclosure

PRODUCT FEATURES

- Rugged metallic construction ensures mechanical protection for the raceway

COMPLIANCES

- - Standard 514B
UL FILE E195969
- - C22.2 #18



CLAMP TYPE CONNECTORS AND DUPLEX CONNECTORS - DIE-CAST ZINC



Clamp Type Connector



Duplex Connector

APPLICATION

- For use in dry locations to bond flexible metal conduit to a box or enclosure

PRODUCT FEATURE

- Rugged metallic construction ensures mechanical protection for the raceway

COMPLIANCES

- - Standard 514B
UL FILE E195969
- - C22.2 #18

APPLICATIONS

- For use when coupling flexible metal conduit to Rigid/IMC conduit
- Use RACO® Cat. Nos. 1552 - 1554 when coupling threaded Rigid/IMC conduit to flexible metal conduit

PRODUCT FEATURES

- Rugged metallic construction ensures mechanical protection
- Steel/malleable components are zinc-electroplated for added corrosion protection

COMPLIANCE

- UL FILE E195969
-

FLEX - EMT APPLICATION

- For use when coupling flexible metal conduit to EMT conduit

PRODUCT FEATURES

- Rugged metallic construction ensures mechanical protection
- Steel/malleable components are zinc-electroplated for added corrosion protection
- UPC bar coded fittings are individually polybagged with a preprinted UPC-A bar code and packaged in pre-scored tear top cartons for an attractive presentation

COMPLIANCES

- - Standard 514B
- - C22.2 #18

CATALOG #	TRADE SIZE	UNIT CARTON QTY.	SHIP CARTON QTY.	BAR CODE
Clamp Type Connector – Die-Cast Zinc				
2661	3/8"*	100	1000	—
Duplex Connector – Die-Cast Zinc				
2611	3/8"*	25	250	—

* For 1/2" knockout

COMBINATION COUPLINGS - MALLEABLE IRON



Flex - Rigid Couplings

CATALOG #	TRADE SIZE	UNIT CARTON QTY.	SHIP CARTON QTY.	BAR CODE
Flex to Rigid Couplings – Malleable Iron				
1552	1/2"	25	100	—
1553	3/4"	—	25	—
1554	1"	—	25	—



Flex - EMT Squeeze Couplings

CATALOG #	FLEX SIZE	EMT SIZE	UNIT CARTON QTY.	SHIP CARTON QTY.	BAR CODE
Flex-EMT Squeeze Couplings – Malleable Iron					
1941	3/8"	1/2"	—	25	—
1942	1/2"	1/2"	—	25	—
1942-8	1/2"	1/2"	1	25	
1943	3/4"	3/4"	—	25	—
1943-8	3/4"	3/4"	1	50	

* Not UL Listed

COMBINATION COUPLINGS - DIE-CAST ZINC



Flex - EMT Screw-In/Compression Couplings

CATALOG #	FLEX SIZE	EMT SIZE	UNIT CARTON QTY.	SHIP CARTON QTY.	BAR CODE
Flex-EMT Couplings, Screw-In/Compression – Die-Cast Zinc					
1482	1/2"	1/2"	50	500	—
1483	3/4"	3/4"	25	250	—
1484	1"	1"	25	250	

COMBINATION COUPLINGS APPLICATION

- Use when coupling flexible metal conduit to EMT conduit

PRODUCT FEATURE

- Rugged metallic construction ensures mechanical protection

COMPLIANCES

- - Standard 514B
- - C22.2 #18

NAIL-UP STRAPS



Nail-Up Straps

CATALOG #	TRADE SIZE	UNIT CARTON QTY.	SHIP CARTON QTY.	BAR CODE
Nail-Up Straps – Steel				
2252	3/8"*	100	1000	—
2253	1/2"**	100	1000	—
2254	3/4"***	100	1000	—

* For 3/8" flexible metal conduit. Also suitable for AC and MC cable.

** For 1/2" flexible metal conduit. Also suitable for AC and MC cable.

***For 3/4" flexible metal conduit. Also suitable for AC and MC cable.

NAIL-UP STRAPS APPLICATION

- For use in mounting flexible metal conduit, armored cable, and MC cable

PRODUCT FEATURE

- Stamped steel straps are pre-galvanized for added corrosion protection

NAIL-UP STRAPS COMPLIANCE

-

ANTI-SHORT BUSHINGS APPLICATION

- Anti-short bushings are for use with armored cable and flexible metal conduit. The bushings protect the conductors during pulling from sharp cut ends of the conduit.

PRODUCT FEATURES

- Easy to use - just insert into the end of the conduit
- Lightweight, one-piece plastic construction resists corrosion
- Economical solution for preventing costly damage

BUSHINGS



Anti-short Bushings

CATALOG #	TRADE SIZE	UNIT CARTON QTY.	SHIP CARTON QTY.	BAR CODE
Nail-Up Straps – Steel				
1440B35	5/16"	35	10 bags of 35	
1441B35	3/8"	35	10 bags of 35	
1447B35	7/16"	35	5 bags of 35	
1442B20	1/2"	20	5 bags of 20	
1443B16	3/4"	16	4 bags of 16	





UNINSULATED CONNECTORS - DIE-CAST ZINC



Set Screw Connector



Clamp Type Connector



Squeeze Type Connector

APPLICATIONS

- For use in dry locations to bond armored cable to a box or enclosure

PRODUCT FEATURES

- Rugged metallic construction ensures mechanical protection for the raceway

COMPLIANCES

- - Standard 514B
UL Listed E195969 (excludes 2191)
- - C22.2 #18

CATALOG #	TRADE SIZE	UNIT CARTON QTY.	SHIP CARTON QTY.	BAR CODE
Set Screw Connector – Die-Cast Zinc				
2511 ^①	3/8"	100	1000	—
Clamp Type Connector – Die-Cast Zinc				
2661 ^①	3/8"	100	1000	—
Squeeze Type Connector – Die-Cast Zinc				
2191 ^②	3/8"	50	500	—
2192	1/2"	25	250	—
2193	3/4"	25	250	—
2194	1"	10	100	—

^① For 1/2" knockout. 1/2" Hub size suitable for use with steel armored cable sizes 2#14, 3#14, 2#12, 3#12, 2#10 and 3#10 all with ground wire.

^② For 1/2" knockout. Suitable for use with steel armored cable and flexible metal conduit.

90° AND DUPLEX CONNECTORS - DIE-CAST ZINC



90° Squeeze Type Connector Uninsulated



Duplex Connector

CATALOG #	TRADE SIZE	UNIT CARTON QTY.	SHIP CARTON QTY.	BAR CODE
90° Squeeze Type Connector, Uninsulated – Die-Cast Zinc				
2691	3/8"*	50	500	—
2692	1/2"	25	250	—
2693	3/4"	10	100	—
Duplex Connector – Die-Cast Zinc				
2611	3/8"*	25	250	—

* For 1/2" knockout

APPLICATIONS

- For use in dry locations to bond armored cable to a box or enclosure

PRODUCT FEATURES

- Rugged metallic construction ensures mechanical protection for the raceway

COMPLIANCES

- - Standard 514B
UL Listed E195969
- - C22.2 #18



BUSHINGS



Anti-short Bushings

APPLICATIONS

- Anti-short bushings are for use with armored cable and flexible metal conduit. The bushings protect the conductors during pulling from sharp cut ends of the conduit.

PRODUCT FEATURES

- Easy to use - just insert into the end of the conduit
- Lightweight, one-piece plastic construction resists corrosion
- Economical solution for preventing costly damage

CATALOG #	TRADE SIZE	UNIT CARTON QTY.	SHIP CARTON QTY.	BAR CODE
Anti-short Bushings – Plastic				
1440B35	5/16"	35	10 bags of 35	
1441B35	3/8"	355	10 bags of 35	
1447B35	7/16"	35	5 bags of 35	
1442B20	1/2"	20	5 bags of 20	
1443B16	3/4"	16	4 bags of 16	

STRAP - STEEL



One Hole Strap

APPLICATIONS

- For use when mounting MC and AC cables in dry locations

PRODUCT FEATURES

- All steel construction ensures mechanical protection
- Zinc-electroplated for corrosion protection

CATALOG #	TRADE SIZE	UNIT CARTON QTY.	SHIP CARTON QTY.	BAR CODE
One Hole Strap – Steel				
2081	3/8"	100	1000	—

PUSH-IN CONNECTORS - STEEL



38RAC



40RAC

CATALOG NUMBER	TRADE SIZE	CABLE SIZE	UNIT CARTON QTY.	SHIP CARTON QTY.	BAR CODE
Push-in Cable Connectors – Steel and Nylon (Bushing)					
38RAC	3/8"	Push-in Connector	50	500	
40RAC	3/8"	Push-in Connector	50	500	

APPLICATIONS

- Push-in cable connectors make it easy to secure metal-clad cable into boxes or enclosures. Simply insert a cable into the cable opening, then snap the box end of the connector into a box knockout, done!
- No tools needed for a secure assembly
- Can be removed and reused

PRODUCT FEATURES

- Fits standard 1/2" knockouts in electrical boxes or enclosures
- Both connectors designed to terminate MC-PCS, MCI, MCI-A, AC, HCF, and FMC
- 40RAC tinted blue inside to indicate larger cable range
- Die-cast zinc construction with nylon anti-short bushing
- For use in dry locations

COMPLIANCE

- US

38RAC

CABLE TYPE (Steel & Aluminum)	CABLE RANGES
MC	14/2 - 10/3
MCI-A	
AC/HCF	
MCI-A HCF	12/2 - 10/3
MC-PCS (SOLID)	12/2 - 12/3
RWFMC CONDUIT	3/8" TRADE SIZE FLEX Anti Short Bushing Required

Cable Diameter Range: 0.402" - 0.610"

40RAC

CABLE TYPE (Steel & Aluminum)	CABLE RANGES
MC	14/3 - 10/3
MCI-A	
AC	
AC HCF	14/2 - 10/3
MCI-A HCF	12/2 - 10/3
MC-PCS (SOLID)	12/2 - 12/3
RWFMC CONDUIT	3/8" TRADE SIZE FLEX Anti Short Bushing Required

Cable Diameter Range: 0.470" - 0.610"



CONNECTORS - SCREW TYPE STEEL



Connector

APPLICATIONS

- For use in dry locations to connect MCI, MCI-A (2800 only), AC, and HCF cable into a box or enclosure

PRODUCT FEATURES

- Easy to install - just tilt, insert and snap down
- Tri-head screw/clamp design - connector can be installed by using a slotted, Phillips or Robertson head screwdriver
- Integral insuliner provides maximum wire protection
- Durable all steel construction
- Zinc-electroplated for corrosion protection

COMPLIANCE

- LISTED
UL Listed E195966

CATALOG #	TRADE SIZE	UNIT CARTON QTY.	SHIP CARTON QTY.	BAR CODE
Cable Connector – Steel				
2800	1/2"	50	500	—
2801	3/4"	25	250	—

SELECTION CHART		
CABLE TYPE	2800 - 1/2" KO	2801 - 3/4" KO
AC Steel	14-2, 14-3, 14-4, 12-2, 12-3, 12-4, 10-2, 10-3	10-4, 10-5, 8-3, 8-4, 6-3
HCF Steel	14-2, 14-3, 12-2, 12-3, 10-2	—
AC Aluminum	14-2, 14-3, 14-4, 12-2, 12-3, 12-4	10-4, 8-3, 8-4
MCI Steel	14-2, 14-3, 14-4, 12-2, 12-3, 12-4, 10-2	10-3, 10-4, 8-2, 8-3
MCI Aluminum	14-2, 14-3, 14-4, 12-2, 12-3, 12-4, 10-2	10-3, 10-4, 8-2
MC Aluminum	14-3, 14-4, 12-2, 12-3, 12-4, 10-2, 10-3	—
MCI-A Aluminum	12-8, 10-3, 10-4, 10-6	—

CLAMP TYPE AND DUPLEX CONNECTORS - DIE-CAST ZINC



Clamp Type Connector



Duplex Connector

CATALOG #	TRADE SIZE	UNIT CARTON QTY.	SHIP CARTON QTY.	BAR CODE
Clamp Type Cable Connector – Die-Cast Zinc				
2661	3/8"*	100	1000	—
Duplex Cable Connector – Die-Cast Zinc				
2611	3/8"*	25	250	—

* For 1/2" knockout

APPLICATIONS

- For use in dry locations to connect MC/MCI cable to a box or enclosure

PRODUCT FEATURES

- Rugged metallic construction ensures mechanical protection for the raceway

COMPLIANCES

- - Standard 514B
UL Listed E195969
- - C22.2 #18

1/2" HUB SIZE FOR MC CABLE - SELECTION CHART

CLAMP TYPE - Part No. 2661	DIAMETER
Regular Aluminum Corrugated	.277" - .375"
Aluminum Corrugated	.365" - .510"
Aluminum Smooth	.345" - .525"
Aluminum Interlocked	.455" - .575"
Steel Interlocked	.435" - .547"
DUPLEX - Part No. 2611	
Aluminum Smooth	.410" - .500"
Aluminum Interlocked	.460" - .538"
Steel Interlocked	.438" - .560"





DOUBLE BITE SADDLE CONNECTORS - MALLEABLE IRON/STEEL



Straight Connectors Insulated



90° Connectors Insulated

APPLICATIONS

- Use 3/8" - 1" RACO® double bite saddle connectors in dry locations to connect flexible metal conduit, MCI, MCI-A and AC cable to a box or enclosure
- Use 1-1/4" to 4" in dry locations to connect flexible metal conduit to a box or enclosure

PRODUCT FEATURES

- Straight connectors have all steel construction that ensures mechanical protection for raceways
- Straight connectors available in 3/8" to 4" trade sizes
- 90° connectors have malleable iron and steel construction for added strength
- 90° connectors available in 3/8" to 1" trade sizes
- Dual saddle clamp ensures proper conduit and cable connection for raceway
- Zinc-electroplated for corrosion resistant installation
- Tri-head screw/clamp design - connectors can be installed by using a slotted, Phillips or Robertson head screwdriver
- Insulated throats on all double bite connectors provide maximum wire protection

COMPLIANCES

- - Standard 514B
UL Listed E195966
- NEMA FB-1

CATALOG #	TRADE SIZE	UNIT CARTON QTY.	SHIP CARTON QTY.	BAR CODE
Straight Double Bite Saddle Connectors – Steel				
3301DB	3/8"	—	50	—
3302DB	1/2"	—	25	—
3303DB	3/4"	—	10	—
3304DB	1"	—	5	—
3305DB	1-1/4"	—	5	—
3306DB	1-1/2"	—	5	—
3308DB	2"	—	1	—
3310DB	2-1/2"	—	1	—
3312DB	3"	—	1	—
3314DB	3-1/2"	—	1	—
3316DB	4"	—	1	—
90° Double Bite Saddle Connectors – Steel/Malleable Iron				
3201DB	3/8"	—	50	—
3202DB	1/2"	—	25	—
3203DB	3/4"	—	10	—
3204DB	1"	—	5	—

	ARMORED CABLES	METAL CLAD CABLES	MCI-A CABLES	FEFMC
	STEEL & ALUMINUM	STEEL & ALUMINUM		
3201DB	3/8" 14-2, 14-3, 14-4, 12-2, 12-3,	14-2, 14-3, 14-4, 12-2, 12-3,	12-2, 12-3, 12-4, 12-6,	
3301DB	3/8" 12-4, 10-2, .450-.660	12-4, 10-2, .450-.660	12-8, 10-3, 10-4, .400-.590	
3202DB	1/2" 12-4, 10-2, 10-3, 10-4, 8-2,	10-2, 10-3, 10-4, 8-2, 8-3,	12-6, 12-8	
3302DB	1/2" 8-3, 8-4, 6-2, 6-3, .550-.920	.640-.920	.520-.620	
3203DB	3/4" AL: 8-3, 8-4, 6-2, 6-3, 6-4,	AL: 6-4, 4-3, 3-3, .930-1.075		
3303DB	3/4" 4-2, 4-3, .680-1.075 ST: 6-4, 4-2, 4-3, .930-1.075	ST: 8-3, 8-4, 6-2, 6-3, 6-4, 4-3, 3-3, .730-1.075		
3204DB	1" 6-4, 4-3, 4-4, 3-2, 3-3, 2-3,	6-4, 4-3, 4-4, 3-3, 3-4,		
3304DB	1" 2-4, 1-3, 1-4, .930-1.468	.960-1.468		
3305DB	1-1/4"			1.150-1.610
3306DB	1-1/2"			1.490-1.950
3308DB	2"			1.765-2.450
3310DB	2-1/2"			2.270-3.060
3312DB	3"			2.725-3.560
3314DB	3-1/2"			3.410-4.060
3316DB	4"			3.860-4.560

STRAP - STEEL



One Hole Strap

CATALOG #	TRADE SIZE	UNIT CARTON QTY.	SHIP CARTON QTY.	BAR CODE
One Hole Strap – Steel				
2081	3/8"	100	1000	—

APPLICATIONS

- For use in mounting MC and AC cables in dry locations

PRODUCT FEATURES

- All steel construction ensures mechanical protection
- Zinc-electroplated for corrosion protection



THE INSIDER® CONNECTOR - THERMOPLASTIC



**4714
THE INSIDER®**

APPLICATIONS

- Use THE INSIDER® in dry locations to connect one or two runs of Nonmetallic Sheathed Cable (NMSC) to a box

PRODUCT FEATURES

- Installs from inside the box - The unique design allows the installer to run the NMSC through the knockout to the desired length before snapping the connector into the knockout. No need to cut an oversized hole for an old work box and connector installation
- The only NMSC connector that is UL tested for use with an eccentric knockout
- Accepts single and dual runs of NMSC and accommodates one of the widest ranges of NMSC combinations in the industry. No need to stock any other connector
- Snap-in locking tab design secures THE INSIDER® into the removed 1/2" knockout securely
- One-piece nonmetallic construction - made of tough engineered thermoplastic and can be used in exposed and concealed ceilings and walls. Resists corrosion and offers insulation protection.
- Can be easily removed by pushing one of the locking wing tabs with a screwdriver

COMPLIANCE

- LISTED
UL FILE E195971
US Patent 7,211,744

CATALOG #	TRADE SIZE	UNIT CARTON QTY.	SHIP CARTON QTY.	BAR CODE
Nonmetallic Sheathed Cable Connector – Thermoplastic				
4714	1/2"	100	1000	—

THE INSIDER®

WIRE SIZES	CONDUCTORS PER CONNECTOR
SINGLE CABLE	TWO CABLE COMBINATIONS
14-2 /with Ground	(2) 14-2 with Ground
14-3 /with Ground	(1) 14-2 with Ground & (1) 12-2 with Ground
12-2 /with Ground	(1) 14-2 with Ground & (1) 10-2 with Ground
12-3 /with Ground	
10-2 /with Ground	
10-3 /with Ground	



Step 1: Easy Installation - Remove desired knockout. Insert THE INSIDER into the knockout from inside the box.



Step 2: Done - Ready for cable.



Easy Removal - Push the wing tab of the connector with a screwdriver. Push the connector through the knockout towards the inside of the box.



Large Cable - For two cable installations insert the cables through the connector together or one by one. Ideal for circuit breaker panel use.

CLAMP TYPE - DIE-CAST ZINC



2661



2711

Clamp Type Connectors

CATALOG #	TRADE SIZE	CABLE SIZE	UNIT CARTON QTY.	SHIP CARTON QTY.	BAR CODE
Clamp Type Cable Connector – Die-Cast Zinc					
2711*	1/2"	2 #14, 2#10, 3 #14 or 3 #12 - with or w/o Ground	100	1000	—
2863	3/4"	3 #12, 3 #10, 2 #8	50	500	—
2864	1"	4 #12, 3 #12, 4 #10, 3 #10, 3 #8, 2 #8, 2 #6, 2 #4	25	250	—
2661	3/8**	See Chart Below	100	1000	—

* For 1/2" knockout

1/2" HUB SIZE FOR MC CABLE - SELECTION CHART

CLAMP TYPE - Part No. 2661	DIAMETER
Regular Aluminum Corrugated	.277" - .375"
Aluminum Corrugated	.365" - .510"
Aluminum Smooth	.345" - .525"
Aluminum Interlocked	.455" - .575"
Steel Interlocked	.435" - .547"

APPLICATIONS

- For use in dry locations to connect Nonmetallic Sheathed Cable (NMSC) to a box or enclosure

PRODUCT FEATURES

- Rugged metallic construction will last the lifetime of the installation

COMPLIANCES

- - Standard 514B
UL Listed E195972, *E195971 (2711)
- - C22.2 #18



SERVICE ENTRANCE HEADS - ALUMINUM



Clamp Type for Rigid/IMC or EMT



Clamp Type for SEU Cable

APPLICATION

- Use to bring overhead electrical service into buildings

PRODUCT FEATURES

- Lightweight aluminum body construction eases installation and provides corrosion resistance
- Plastic insulator snaps out easily for quick cable insertion

COMPLIANCE

- - Standard 514B
UL Listed E195972, E195973

CATALOG #	TRADE SIZE	UNIT CARTON QTY.	SHIP CARTON QTY.	BAR CODE
Entrance Heads, Clamp Type for SEU Cable – Aluminum				
2402	1/2"	—	10	
2403	3/4"	—	10	
2404	1"	—	5	
2405	1-1/4"	—	10	
2406	1-1/2"	—	5	
2408	2"	—	5	
2410	2-1/2"	—	1	
2412	3"	—	1	
2414	3-1/2"	—	1	
2416	4"	—	1	

CATALOG #	NOMINAL CABLE SIZES	UNIT CARTON QTY.	SHIP CARTON QTY.	BAR CODE
Entrance Heads, Clamp Type for SEU Cable – Aluminum				
2430	3-#8 through 3-#1 1-#6 through 1-#3	—	10	—
2440	3-#3/0 through 3-#4/0 1-#1/0 through 1-#2/0	—	10	—

UNDERGROUND FEEDER (UF) CONNECTORS - ALUMINUM/NYLON/STEEL



Aluminum



Nylon



Steel

CATALOG #	TRADE SIZE	GROMMET OPENING	UF* WIRE SIZE	UNIT CARTON QTY.	SHIP CARTON QTY.	BAR CODE
UF Connectors, Liquid Tight – Aluminum						
4899-9	1/2"	Min. .20" x .40" Max. .25" x .55"	2#14, 2#12, 2#10	—	10	—
UF Connectors, Liquid Tight – Nylon						
4799-1	1/2"	Min. .20" x .40" Max. .25" x .55"	2#14, 2#12, 2#10	—	25	—
4799-3	3/4"	Min. .20" x .60" Max. .26" x .78"	3#14, 3#12, 3#10	—	15	—
UF Connectors, Liquid Tight – Steel						
2462	1/2"	Min. .255" Max. .425"	2#14, 2#12	25	100	—

* Wire sizes may vary among manufacturers

APPLICATIONS

- For use with underground feeder (UF) cable to provide a liquidtight connection to meters and enclosures

PRODUCT FEATURES

- Rugged metallic construction will last the life of the installation
- Use a nylon connector when a lightweight corrosion resistant connection is required

COMPLIANCES

- - Standard 514B
- - C22.2 #18





SERVICE ENTRANCE CABLE CONNECTORS - DIE-CAST ZINC



Connectors - Liquid Tight

APPLICATION

- For use with service entrance cable to provide a liquidtight connection to meters and enclosures

PRODUCT FEATURES

- Rugged metallic construction will last the life of the installation

COMPLIANCE

- - Standard 514B
UL Listed E195972

CATALOG #	TRADE SIZE	GROMMET OPENING	UF* WIRE SIZE	UNIT CARTON QTY.	SHIP CARTON QTY.	BAR CODE
Service Entrance Cable Connectors, Liquid Tight – Die-Cast Zinc						
2475	1-1/4"	.57" x .85"	3#2	—	10	—
2485	1-1/4"	.51" x .85"	3#3	—	10	—
2486	1-1/2"	.74" x 1.23"	3#2/0	—	10	—
2498	2"	.83" x 1.41"	3#3/0	—	10	—
2468	2"	.89" x 1.54"	3#4/0	—	10	—

* Wire sizes may vary among manufacturers

NON-WATERTIGHT CONNECTORS - DIE-CAST ZINC



Connectors for Oval Cable

Connectors for Oval or Round

CATALOG #	TRADE SIZE	NOMINAL CABLE SIZE	UNIT CARTON QTY.	SHIP CARTON QTY.	BAR CODE
Connectors for Oval Cable – Die-Cast Zinc					
2853	3/4"	3#8, 3#6	—	25	—
2854	1"	3#6, 3#4	—	25	—
2855	1-1/4"	3#6, 3#2	—	10	—
2856	1-1/2"	3#1/0, 3#2/0, 3#1	—	10	—
2858	2"	3#3/0, 3#4/0	—	10	—
Connectors for Oval or Round Cable – Die-Cast Zinc					
2863	3/4"	3#10, 3#6, 2#6	50	500	—
2864	1"	3#6, 3#4	25	250	—

APPLICATIONS

- For use with underground feeder (UF) cable to provide a non-watertight connection to meters and enclosures

PRODUCT FEATURES

- Rugged metallic construction will last the life of the installation

COMPLIANCE

- - Standard 514B
UL Listed E195972, E195971





STRAPS - STEEL



One Hole Cable Strap

APPLICATION

- For use in mounting service entrance cable

PRODUCT FEATURES

- All steel construction provides durable installation
- Zinc-electroplated for added corrosion protection

CATALOG #	NOMINAL CABLE SIZE	UNIT CARTON QTY.	SHIP CARTON QTY.	BAR CODE
Straps – Steel				
2441	3#8, 3#6	—	100	—
2442	3#4, 3#3, 3#2	—	100	—
2443	3#1, 3#1/0, 3#2/0	—	50	—
2444	3#3/0, 3#4/0	—	50	—

GROUND CLAMPS - BRONZE ALLOY



For Bare Ground Wires



For Direct Burial in Earth or Concrete



For Bare Armored Ground Wires

CATALOG #	PIPE SIZE	GROUNDING CONDUCTOR SIZE	UNIT CARTON QTY.	SHIP CARTON QTY.	BAR CODE
For Bare Ground Wires – Bronze Alloy					
2504	1/2" - 1"	No. 2 Str. / No. 10 Sol.	—	25	—
2505	1-1/4" - 2"	No. 2 Str. / No. 10 Sol.	—	25	—
For Direct Burial in Earth or Concrete – Bronze Alloy					
2506	1/2" - 1"	No. 2 Str. / No. 10 Sol.	—	25	—
For Bare Armored Ground Wires – Bronze Alloy					
2507	1/2" - 1"	No. 6 Str. / No. 10 Sol.	—	25	—
2508	1-1/4" - 2"	No. 6 Str. / No. 10 Sol.	—	25	—

APPLICATIONS

- For use with grounding wire or conduit to water pipes or ground rods

PRODUCT FEATURES

- Bronze cast construction assures ground path continuity and provides corrosion resistance

COMPLIANCE

- - Standard 514B
UL FILE E195975



For 1/2" and 3/4" Rigid Conduit

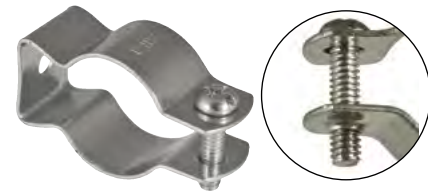
CATALOG #	PIPE SIZE	GROUNDING CONDUCTOR SIZE	UNIT CARTON QTY.	SHIP CARTON QTY.	BAR CODE
For 1/2" Rigid Conduit – Bronze Alloy					
2512	1/2" - 1"	No. 6 Str. / No. 10 Sol.	—	25	—
2522	1-1/4" - 2"	No. 6 Str. / No. 10 Sol.	—	25	—
For 3/4" Rigid Conduit – Bronze Alloy					
2513	1/2" - 1"	No. 2/0 Str. / No. 10 Sol.	—	25	—



CONDUIT HANGERS - STEEL



Conduit Hangers with Bolts



Conduit Hangers with Threaded Holes

APPLICATIONS

- For use in wet or dry locations to support runs of Rigid/IMC and EMT conduit from ceilings and walls

PRODUCT FEATURES: HANGERS WITH BOLTS

- Furnished with nut and bolt to speed installation
- Pregalvanized finish provides corrosion protection

COMPLIANCES

- - Standard 514B (trade size 0-9)
- - Canada (trade size 0-9)

PRODUCT FEATURES: HANGERS WITH THREADED HOLE

- Hangers are supplied with a retained bolt and threaded hole-eliminating the need for a nut
- The design allows for quick and easy installation using a screwdriver or nut driver
- Pre-galvanized finish provides corrosion protection

COMPLIANCE

- UL LISTED E195968

CATALOG #	TRADE SIZE	RIGID & IMC SIZE	EMT SIZE	SHIP CARTON QTY.	MAX. LOAD LBS.	BAR CODE
Conduit Hangers with Bolts – Steel						
2052	0	1/2"	1/2"	100	50	—
2053	1	3/4"	3/4"	100	50	—
2054	2	1"	1"	100	60	—
2041	2-1/2	—	1-1/4"	100	75	—
2055	3	1-1/4"	1-1/2"	100	80	—
2056	4	1-1/2"	—	100	80	—
2058	5	2"	2"	50	100	—
2057	6	2-1/2"	2-1/2"	25	125	—
2059	7	3"	3"	25	165	—
2060	8	3-1/2"	3-1/2"	10	200	—
2061	9	4"	4"	10	230	—
Conduit Hangers with Threaded Hole – Steel						
2052TH	0	1/2"	1/2"	100	50	—
2053TH	1	3/4"	3/4"	100	50	—
2054TH	2	1"	1"	100	60	—
2041TH	2-1/2	—	1-1/4"	100	75	—
2055TH	3	1-1/4"	1-1/2"	100	80	—
2056TH	4	1-1/2"	—	100	80	—
2058TH	5	2"	2"	50	100	—

BEAM CLAMPS - STEEL/MALLEABLE IRON



Beam Clamp - Steel*



Beam Clamps - Malleable Iron

APPLICATIONS

- For use with hangers, bridle rings, and drop rods to support conduit from I-beams

PRODUCT FEATURES

- Rugged steel/malleable iron construction will last the lifetime of the installation
- Zinc-electro lated for corrosion resistance

COMPLIANCE

- UL FILE E195968

CATALOG #	TRADE SIZE	INSIDE OPENING SIZE	UNIT CTN. QTY.	SHIP CARTON QTY.	MAX. LOAD LBS.	BAR CODE
Beam Clamps – Steel/Malleable Iron						
2500*	1"	21/32"	—	100	50	—
2524	1"	27/32"	—	100	60	—
2536	1-1/2"	15/16"	—	100	60	—
2538	2"	1-3/16"	—	100	100	—
2510	2-1/2"	1-1/4"	—	100	200	—

* Catalog no. 2500 is steel.

CONDUIT CLAMPS - GALVANIZED MALLEABLE IRON



Parallel Type



Edge Type



Right Angle Type

CATALOG #	TRADE SIZE	MAX. LOAD SUPPORT @10' SPACING INTERVALS (LBS.)	UNIT CTN. QTY.	SHIP CTN. QTY.	BAR CODE
Parallel Conduit Clamps – Galvanized Malleable Iron					
2322PC	1/2"	50	—	50	—
2323PC	3/4"	50	—	50	—
2324PC	1"	60	—	50	—
2325PC	1-1/4"	75	—	25	—
2326PC	1-1/2"	80	—	25	—
2328PC	2"	100	—	25	—
2330PC	2-1/2"	125 - 160 @ 10' - 16'	—	25	—
2332PC	3"	165 @ 10' - 20'	—	5	—
2334PC	3-1/2"	200 - 375 @ 10' - 20'	—	5	—
2336PC	4"	230 - 470 @ 10' - 20'	—	5	—
Edge Conduit Clamps – Galvanized Malleable Iron					
2302EC	1/2"	50	—	25	—
2303EC	3/4"	50	—	25	—
2304EC	1"	60	—	25	—
2305EC	1-1/4"	75	—	25	—
2306EC	1-1/2"	80	—	25	—
2308EC	2"	100	—	25	—
2310EC	2-1/2"	125 - 160 @ 10' - 16'	—	25	—
2312EC	3"	165 @ 10' - 20'	—	5	—
Right Angle Conduit Clamps – Galvanized Malleable Iron					
2352RC	1/2"	50	—	50	—
2353RC	3/4"	50	—	50	—
2354RC	1"	60	—	50	—
2355RC	1-1/4"	75	—	25	—
2356RC	1-1/2"	80	—	25	—
2358RC	2"	100	—	25	—
2360RC	2-1/2"	125 - 160 @ 10' - 16'	—	10	—
2362RC	3"	165 @ 10' - 20'	—	5	—
2364RC	3-1/2"	200 - 375 @ 10' - 20'	—	5	—
2366RC	4"	230 - 470 @ 10' - 20'	—	5	—

APPLICATIONS

- To secure rigid metal conduit, IMC or EMT across, parallel or perpendicular to channel, beam and angle supports

PRODUCT FEATURES

- Three styles meet every installation need
- Heavy duty U-bolts, hex bolts and hex nuts
- Capable of supporting heavy loads
- Hot dipped galvanized malleable iron construction provides excellent weatherability and corrosion protection
- Perfect for commercial construction applications

COMPLIANCE

- UL LISTED E195968





KNOCKOUT SEALS - STEEL



Knockout Seals - One Piece

Knockout Seals - Two Piece*

APPLICATIONS

- For use in closing off unused openings in boxes or panelboards

PRODUCT FEATURES

- All steel construction provides installation integrity
- Zinc-electroplated for added corrosion protection

COMPLIANCE

- - Standard 514B (1037 - 1041)
UL Listed E195973

CATALOG #	TRADE SIZE	UNIT CARTON QTY.	SHIP CARTON QTY.	BAR CODE
Knockout Seals, One Piece – Steel				
1042	1/2"	100	1000	—
1043	3/4"	100	1000	—
1044	1"	100	400	—
1045	1-1/4"	50	200	—
1046	1-1/2"	—	50	—
1048	2"	—	25	—
Knockout Seals, Two Piece – Steel				
1037	2-1/2"	—	10	—
1039	3"	—	10	—
1040	3-1/2"	—	10	—
1041	4"	—	10	—
1042	1/2"	100	1000	—
1043	3/4"	100	1000	—
1044	1"	100	400	—
1045	1-1/4"	—	200	—
1046	1-1/2"	50	—	—
1048	2"	25	—	—

*Two piece seals include two discs, bolt and nut in a poly bag.

CABLE PROTECTORS - STEEL



2709 2710
Cable Protector Plates

2712 2713
PUZZLE-PLATE®

CATALOG #	CONTRACTOR PACK	PLATE LENGTH & THICKNESS	STANDARD PACKAGE	WEIGHT PER 100	BAR CODE
Cable Protectors – Pre-galvanized Steel					
2709	—	2-9/16" Long, .0625" Thick	100	6.8	
2709-9	Yes	2-9/16" Long, .0625" Thick	100	6.8	*
2710	—	2-9/16" Long, .0625" Thick	200	6.8	—
PUZZLE-PLATE Cable Protectors – Pre-galvanized Steel					
2712**	—	2-3/4" Long, .051" Thick	100	5.3	
2712-9R	Yes	2-3/4" Long, .0625" Thick	50	6.5	—
2712R	—	2-3/4" Long, .0625" Thick	100	6.5	
2713**	—	5" Long, .051" Thick	50	10.0	
2713R	—	5" Long, .0625" Thick	50	12.2	

* Project pack sold as a UPC-A bar coded carton of 100.

** Not cULus listed.

APPLICATIONS (NMSC)

- Protects nonmetallic sheathed cable or raceway type wires running through wood studs from accidental nail, screw, or drill penetration. Also applies to plumbing to protect nonmetallic piping

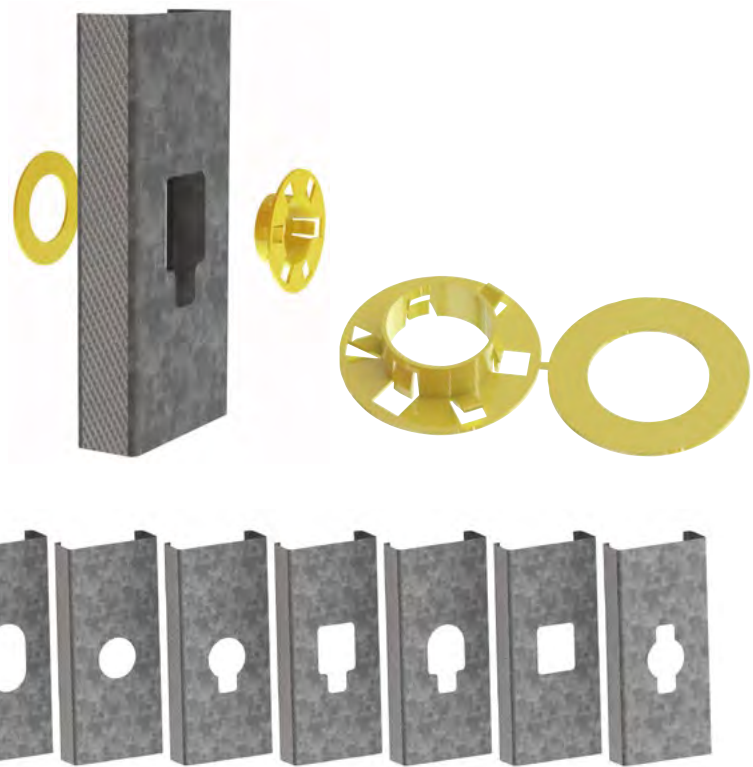
PRODUCT FEATURES

- Interlocking design of RACO® PUZZLE PLATE® cable protector prevents nail or screw presentation through gaps or holes
- Pre-galvanized steel construction for added corrosion protection
- No additional hardware required, just position and hammer down spurs
- Unique PUZZLE-PLATE® interlocking feature allows installer to easily increase area that requires protection
- Contractor packs or individually bar coded pieces
- Made in USA

COMPLIANCE

- LISTED
UL FILE E195968
Canada Patent: 2,731,812

UNIVERSAL METAL STUD GROMMET



Universal design fits most common hole configurations

APPLICATIONS (NMSC)

- For use with nonmetallic cables and conduit running through metal studs.
- The grommets protect nonmetallic sheathed cables and nonmetallic tubing from damage by the sharp metal edges during pulling.

PRODUCT FEATURES

- Universal design fits in a standard 1" trade size hole (1-3/8" diameter), or various factory-punched stud configurations, eliminating the need to carry multiple SKU's
- Snap-in design secures quickly and safely to the metal stud opening
- Grommets prevent safety hazards and costly repairs by protecting the conductors against physical damage
- Lightweight plastic material eases installation

COMPLIANCES

- - LISTED
- - LISTED

CATALOG #	TRADE SIZE	UNIT CARTON QTY.	SHIP CARTON QTY.	BAR CODE
Universal				
1494B25	1"	—	6 bags of 25 pcs.	

REDUCING WASHERS - STEEL



Reducing Washers

CATALOG #	TRADE SIZE	DIMENSIONS		UNIT CTN. QTY.	SHIP CTN. QTY.	BAR CODE
		A	B			
Reducing Washers – Steel						
1365	3/4" - 1/2"	1-1/4"	7/8"	200	1000	—
1366	1" - 1/2"	1-17/32"	7/8"	100	1000	—
1367	1" - 3/4"	1-17/32"	1-3/32"	100	1000	—
1368	1-1/4" - 1/2"	1-31/32"	7/8"	—	100	—
1369	1-1/4" - 3/4"	1-31/32"	1-3/32"	—	100	—
1370	1-1/4" - 1"	1-31/32"	1-3/8"	—	100	—
1371	1-1/2" - 1/2"	2-5/32"	7/8"	—	50	—
1372	1-1/2" - 3/4"	2-5/32"	1-3/32"	—	50	—
1373	1-1/2" - 1"	2-5/32"	1-3/8"	—	50	—
1374	1-1/2" - 1-1/4"	2-5/32"	1-3/4"	—	50	—
1375	2" - 1/2"	2-11/16"	7/8"	—	50	—
1376	2" - 3/4"	2-11/16"	1-3/32"	—	50	—
1377	2" - 1"	2-11/16"	1-3/8"	—	50	—
1378	2" - 1-1/4"	2-11/16"	1-3/4"	—	50	—
1379	2" - 1-1/2"	2-11/16"	1-31/32"	—	50	—
1380	2-1/2" - 1"	3-3/16"	1-3/8"	—	50	—
1381	2-1/2" - 1-1/4"	3-3/16"	1-3/4"	—	50	—
1382	2-1/2" - 1-1/2"	3-3/16"	1-31/32"	—	50	—
1383	2-1/2" - 2"	3-3/16"	2-15/32"	—	50	—
1384	3" - 1-1/4"	3-13/16"	1-3/4"	—	25	—
1385	3" - 1-1/2"	3-13/16"	1-31/32"	—	25	—
1386	3" - 2"	3-13/16"	2-15/32"	—	25	—
1387	3" - 2-1/2"	3-13/16"	3"	—	25	—
1389	3-1/2" - 2"	4-3/8"	2-15/32"	—	10	—
1390	3-1/2" - 2-1/2"	4-3/8"	3"	—	10	—
1391	3-1/2" - 3"	4-3/8"	3-5/8"	—	10	—
1392	4" - 2"	4-29/32"	2-15/32"	—	10	—
1393	4" - 2-1/2"	4-29/32"	3"	—	10	—
1394	4" - 3"	4-29/32"	3-5/8"	—	10	—

APPLICATIONS

- For use when a raceway is smaller in trade size than the trade size of the knockout it is intended to enter
- Use reducing washers in pairs. One inside and one outside the box or enclosure

PRODUCT FEATURES

- All steel construction provides installation integrity
- Reducing washer is stamped with trade size information for ease of product identification
- Zinc-electroplated for added corrosion protection

SEALING WASHERS - STEEL



Sealing Washers*

APPLICATIONS

- For use whenever a positive seal is required between the shoulder of a fitting and an enclosure

PRODUCT FEATURES

- One-piece construction assures proper installation - no need to worry about aligning multiple components
- Steel ring is zinc-electroplated for added corrosion protection
- UPC bar coded fittings are individually polybagged with a preprinted UPC-A bar code and packaged in pre-scored tear top cartons for an attractive presentation

COMPLIANCES

- - Standard 514B
UL Listed E195973
- - C22.2 #18

CATALOG #	TRADE SIZE	UNIT CARTON QTY.	SHIP CARTON QTY.	BAR CODE
Sealing Washers* - Steel				
2452	1/2"	50	100	—
2452-8	1/2"	2 per bag	25 bags of 2	
2453	3/4"	25	50	—
2453-8	3/4"	2 per bag	20 bags of 2	
2454	1"	25	50	—
2454-8	1"	2 per bag	10 bags of 2	
2455	1-1/4"	5	25	—
2456	1-1/2"	5	25	—
2458	2"	5	25	—

* One-piece steel ring and neoprene gasket, raintight

NIPPLES - DIE CAST ZINC



3/4" Offset Nipples



Uninsulated Chase Nipples

CATALOG #	TRADE SIZE	UNIT CARTON QTY.	SHIP CARTON QTY.	BAR CODE
3/4" Offset Nipples - Die-Cast Zinc				
1452	1/2"	—	50	—
1453	3/4"	—	20	—
1454	1"	—	15	—
1455	1-1/4"	—	10	—
1456	1-1/2"	—	10	—
1458	2"	—	6	—
Uninsulated Chase Nipples - Die-Cast Zinc				
1662	1/2"	100	1000	—
1663	3/4"	50	500	—
1664	1"	25	250	—
1665	1-1/4"	25	250	—
1666	1-1/2"	25	100	—
1668	2"	10	40	—
1670	2-1/2"	10	40	—
1672	3"	10	40	—
1674	3-1/2"	10	40	—
1676	4"	5	20	—

APPLICATION FOR OFFSET NIPPLES

- For use when connecting two boxes or panels when the knockouts are not in line

PRODUCT FEATURE

- Rugged metallic construction provides mechanical protection for the conductors

COMPLIANCES

- - Standard 514B
UL LISTED E195969
- - C22.2 #18

APPLICATION FOR UNINSULATED NIPPLES

- For use with a conduit coupling to connect conduit to a box or, with a locknut to connect two boxes

PRODUCT FEATURES

- Rugged metallic construction

COMPLIANCES

- - Standard 514B
UL LISTED E195969
- - C22.2 #18

BUSHINGS



Anti-short Bushings

CATALOG #	TRADE SIZE	UNIT CARTON QTY.	SHIP CARTON QTY.	BAR CODE
Anti-short Bushings - Plastic				
1440B35	5/16"	35	10 bags of 35	
1441B35	3/8"	35	10 bags of 35	
1447B35	7/16"	35	5 bags of 35	
1442B20	1/2"	20	5 bags of 20	
1443B16	3/4"	16	4 bags of 16	

APPLICATION FOR ANTI-SHORT BUSHINGS

- Anti-short bushings are for use with armored cable and flexible metal conduit. The bushings protect the conductors during pulling from sharp cut ends of the conduit.

PRODUCT FEATURES

- Easy to use - just insert into the end of the conduit
- Lightweight, one-piece plastic construction resists corrosion
- Economical solution for preventing costly damage

DUCT SEALING COMPOUND



DS-1LB



DS-5LB

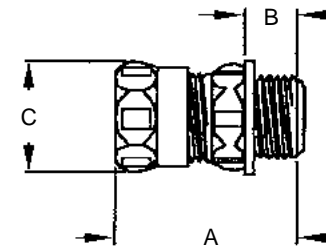
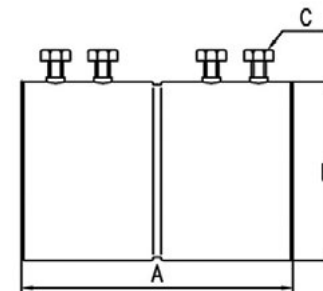
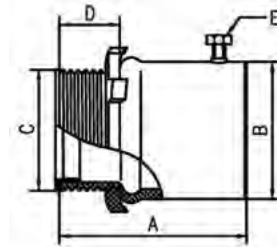
APPLICATIONS

- Indoor/Outdoor general use
- For use in sealing around electrical boxes, flashings, and mast service entries.
- Permanently soft and will adhere to most clean dry surfaces

PRODUCT FEATURES

- Gray color
- Non-Corrosive: safe for metals and plastics
- Non-Irritant to skin
- Paintable
- Recommended temperature range: 25° to +120° F
- Temperature tolerance range: -30° to +175° F
- Will not slump at +275° F

CATALOG #	TRADE SIZE	UNIT CARTON QTY.	SHIP CARTON QTY.	BAR CODE
Duct Sealing Compound				
DS-1LB	1 LB Brick	—	30	—
DS-5LB	5 LB Brick	—	6	—



EMT CONNECTORS

Set Screw Connectors - Steel

INSULATED CATALOG NO.	UNINSULATED CATALOG NO.	A	B WIDTH/HEIGHT	C	D	E
2122, 2122-8	2002, 2002-8	1.41"	0.85	1/2-14 NPSM	0.374"	#12-28NF
2123, 2123-8	2003, 2003-8	1.47"	1.08	3/4-14 NPSM	0.394"	#12-28NF
2124, 2124-8	2004, 2004-8	1.81"	1.30	1-11 1/2 NPSM	0.391"	#12-28NF
2125	2005	2.16"	1.67	1 1/4-11 1/2 NPSM	0.400"	1/4-28NF
2126	2006	2.34"	1.90	1 1/2-11 1/2 NPSM	0.400"	1/4-28NF
2128	2008	2.49"	2.36	2-11 1/2 NPSM	0.408"	1/4-28NF
2160	2140	3.28"	3.15	2 1/2-8 NPSM	0.654"	1/4-28NF
2162RAC	2142	3.38"	3.77	3-8 NPSM	0.654"	1/4-28NF
2164	2144	3.54"	4.27	3 1/2-8 NPSM	0.717"	1/4-28NF
2166	2146	3.54"	4.77	4-8 NPSM	0.171"	1/4-28NF

Set Screw Couplings

CATALOG NUMBER	A	B	C
2022, 2022-8	1.57"	0.85"	#12-28NF
2023, 2023-8	1.92"	1.08"	#12-28NF
2024, 2024-8	2.40"	1.33"	#12-28NF
2025	3.03"	1.70"	1/4-28UNS
2026	3.38"	1.93"	1/4-28UNS
2028	3.70"	2.39"	1/4-28UNS
2150	4.09"	3.14"	1/4-24UNS
2152	4.33"	3.77"	1/4-24UNS
2154	4.52"	4.28"	1/4-24UNS
2156	4.72"	4.78"	1/4-24UNS

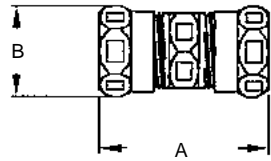
Compression Connectors - Steel

INSULATED CATALOG NUMBER	UNINSULATED CATALOG NUMBER	A	B	C
2912, 2912-8	2902, 2902-8	1.58"	0.46"	1.16"
2913, 2913-8	2903, 2903-8	1.79"	0.45"	1.38"
2914, 2914-8	2904, 2904-8	1.90"	0.56"	1.64"
2915	2905	2.10"	0.65"	2.04"
2916	2906	2.25"	0.70"	2.27"
2918	2908	2.40"	0.66"	2.74"
2960	2940	2.50"	0.81"	3.62"
2962	2942	2.62"	0.94"	4.25"
2964	2944	2.81"	1.00"	4.68"
2966	2946	2.81"	1.00"	5.18"

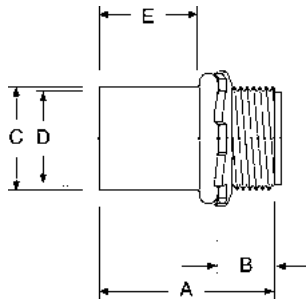
Compression Connectors, Raintight

2912RT	2902RT	1.58"	0.46"	1.16"
2913RT	2903RT	1.79"	0.45"	1.38"
2914RT	2904RT	1.90"	0.56"	1.64"
2915RT	2905RT	2.10"	0.65"	2.04"
2916RT	2906RT	2.25"	0.70"	2.27"
2918RT	2908RT	2.40"	0.66"	2.74"
2960RT	2940RT	2.50"	0.81"	3.62"
2962RT	2942RT	2.62"	0.94"	4.25"
2964RT	2944RT	2.81"	1.00"	4.68"
2966RT	2946RT	2.81"	1.00"	5.18"

EMT CONNECTORS & COUPLINGS

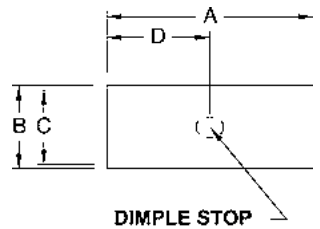


Compression Couplings - Steel				
CATALOG NUMBER		A	B	
2922, 2922-8	2922US 2922RT	2.00"	1.16"	
2923, 2923-8	2923US 2923RT	2.15"	1.38"	
2924, 2924-8	2924US 2924RT	2.32"	1.64"	
2925	2925US 2925RT	2.50"	2.04"	
2926	2926US 2926RT	2.78"	2.27"	
2928	2928US 2928RT	2.88"	2.74"	
2950	2950US 2950RT	3.87"	3.62"	
2952	2952US 2952RT	4.00"	4.25"	
2954	2954US 2954RT	4.68"	4.68"	
2956	2956US 2956RT	4.93"	5.18"	



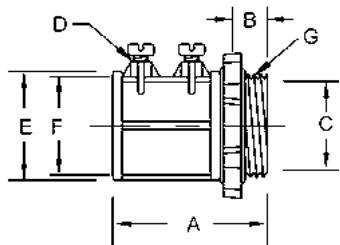
Indenter Connectors						
INSULATED CATALOG NUMBER	UNINSULATED CATALOG NUMBER	A	B	C	D	E
1992	1972	1-1/2"	11/32"	13/16"	23/32"	1"
1993	1973	1-35/64"	25/64"	1-1/64"	15/16"	1-1/16"

A = Overall length
B = Thread length
C = Body O.D.
D = Body I.D.
E = Length to conduit stop



Indenter Couplings				
CATALOG NUMBER	A	B	C	D
1982	2"	3/16"	23/32"	31/32"
1983	2-1/4"	1-1/32"	15/16"	1-1/16"

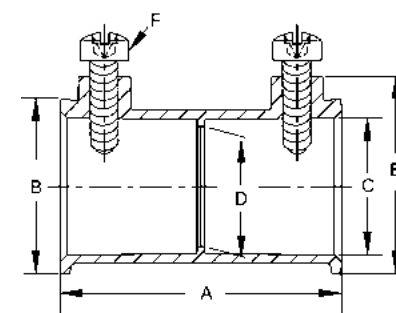
A = Overall length
B = O.D. of body
C = I.D. of body
D = Length to center stop



Connectors								
INSULATED CATALOG NO.	UNINSULATED CATALOG NO.	A	B	C	D	E	F	G
2634	2602	1-5/32"	25/64"	39/64"	10-24 x 5/16"	15/16"	23/32"	1/2"-14
2635	2603	1-13/32"	15/32"	13/16"	10-24 x 5/16"	1-7/32"	15/16"	3/4"-14
2636	2604	1-35/64"	35/64"	1-1/32"	10-24 x 5/16"	1-27/64"	1-3/16"	1"-11-1/2
2637	2605	1-31/32"	5/8"	1-3/8"	12-24 x 3/8"	1-53/64"	1-35/64"	1-1/4"-11-12
2638	2606	2-13/64"	47/64"	1-19/32"	1/4-20 x 1/2"	2-3/64"	1-49/64"	1-1/2"-11-12
2639	2608	2-1/2"	3/4"	2-3/64"	1/4-20 x 1/2"	2-17/32"	2-15/64"	2"-11-12
2648	2640	3-3/32"	1-3/64"	2-33/64"	1/4-20 x 1/2"	3-19/64"	2-59/64"	2-1/2"-8
2649	2642	3-25/64"	1-1/16"	3-5/32"	1/4-20 x 1/2"	3-15/16"	3-9/16"	3"-8
2650	2644	3-9/16"	1-3/64"	3-19/32"	1/4-20 x 1/2"	4-7/16"	4-3/64"	3-1/2"-8
2651	2646	3-49/64"	1-1/8"	4-7/64"	1/4-20 x 1/2"	4-15/16"	4-37/64"	4"-8

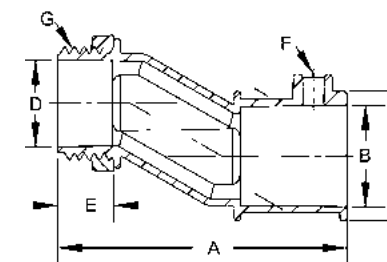
A = Overall length
B = Thread length
C = Throat I.D.
D = Screw size and length
E = Body O.D.
F = Body I.D.
G = NPSM threads

EMT CONNECTORS & COUPLINGS - DIE CAST ZINC



Couplings						
CATALOG NUMBER	A	B	C	D	E	F
2622	1-1/2"	59/64"	23/32"	41/64"	1-3/64"	10-24 x 5/16"
2623	1-7/8"	1-9/64"	15/16"	55/64"	1-15/64"	10-24 x 5/16"
2624	2"	1-27/64"	1-3/16"	1-7/64"	1-17/32"	10-24 x 5/16"
2625	2-1/2"	1-53/64"	1-17/32"	1-7/16"	1-63/64"	12-24 x 3/8"
2626	2-7/8"	2-1/16"	1-49/64"	1-43/64"	2-13/64"	1/4-20 x 1/2"
2628	3-7/16"	2-35/64"	2-7/32"	2-1/8"	2-11/16"	1/4-20 x 1/2"
2670	4-1/64"	3-21/64"	2-29/32"	2-3/4"	3-11/32"	1/4-20 x 1/2"
2672	4-29/64"	3-15/16"	3-35/64"	3-27/64"	3-63/64"	1/4-20 x 1/2"
2674	4-15/16"	4-7/16"	3-35/64"	3-61/64"	4-31/64"	1/4-20 x 1/2"
2676	5-15/64"	4-15/16"	4-35/64"	4-13/32"	4-31/64"	1/4-20 x 1/2"

A = Overall length
B = O.D. of body
C = I.D. of body
D = Center stop dia.
E = Height of body
F = Screw



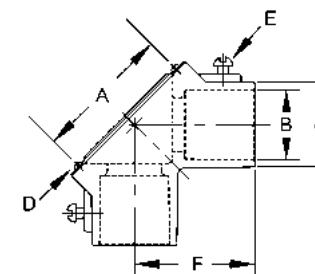
3/8" Offset Connectors							
CATALOG NUMBER	A	B	C	D	E	F	G
1763	3-1/64"	15/16"	1-1/32"	55/64"	15/32"	10-24 x 5/16"	3/4"-14

A = Overall length
B = I.D. of body
C = O.D. of body
D = Throat I.D.
E = Thread length
F = Screw size and length
G = Thread spec.

EMT HANDY ELLS

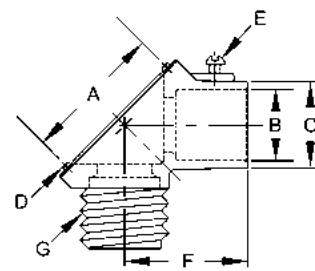
90° Handy Ells - Couplings						
CATALOG NUMBER	A	B	C	D	E	F
2752	1-1/2"	47/64"	15/16"	8-32 x 1/4"	10-32 x 5/16"	1-5/16"
2753	1-13/16"	15/16"	1-3/16"	8-32 x 1/4"	10-32 x 5/16"	1-13/32"
2754	2-51/64"	1-3/16"	1-35/64"	8-32 x 1/4"	1/4-20 x 1/2"	1-27/32"

A = Distance between cover screws
B = I.D. of body
C = O.D. of body
D = Screw size and length
E = Set screw size
F = Length

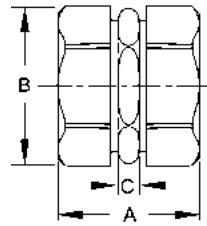


90° Handy Ells - Connectors							
CATALOG NUMBER	A	B	C	D	E	F	G
2762	1-1/2"	47/64"	15/16"	8-32 x 1/4"	10-32 x 5/16"	1-5/16"	1/2"-14 NPSM
2763	1-13/16"	15/16"	1-3/16"	8-32 x 1/4"	10-32 x 5/16"	1-13/32"	3/4"-14 NPSM

A = Distance between cover screws
B = I.D. of body
C = O.D. of body
D = Screw size and length
E = Set screw size
F = Length to end of body
G = Thread spec.

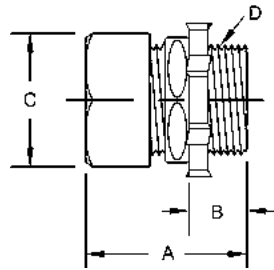


EMT COUPLINGS & CONNECTORS - DIE CAST ZINC



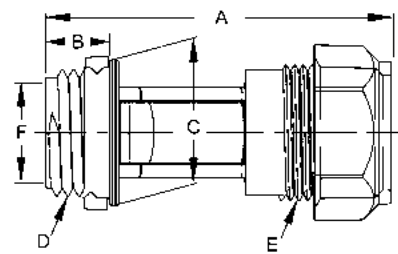
Compression Couplings			
CATALOG NUMBER	A	B	C
2822	1-45/64"	29/32"	21/64"
2823	1-25/32"	1-7/64"	7/32"
2824	1-53/64"	1-13/32"	13/32"
2825	2-1/8"	1-25/32"	3/8"
2826	2-11/32"	2"	13/32"
2828	2-15/32"	2-13/32"	3/8"
2870	3-9/32"	3-5/32"	3/8"
2872	3-11/32"	3-13/16"	3/8"
2874	3-35/64"	4-9/32"	3/8"
2876	3-21/64"	4-3/4"	3/8"

A = Overall length
 B = Compression nut O.D. across flats
 C = Body hex width



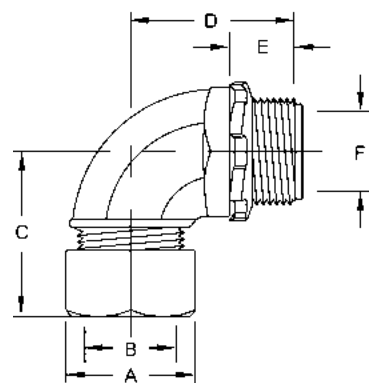
Compression Connectors					
INSULATED CATALOG NO.	UNINSULATED CATALOG NO.	A	B	C	D
2832	2802	1-11/32"	9/16"	29/32"	1/2"- 14 NPSM
2833	2803	1-3/8"	9/16"	1-3/32"	3/4"- 14 NPSM
2834	2804	1-33/64"	23/32"	1-13/32"	1"- 11-1/2 NPSM
2835	2805	1-53/64"	49/64"	1-25/32"	1-1/4"- 11-1/2 NPSM
2836	2806	1-15/16"	49/64"	2-1/8"	1-1/2"- 11-1/2 NPSM
2838	2808	2-15/64"	59/64"	2-21/32"	2"- 11-1/2 NPSM
2890	2840	2-45/64"	1-11/64"	3-5/32"	2-1/2"- 8 NPSM
2892	2842	2-49/64"	1-13/64"	3-13/16"	3"- 8 NPSM
2894	2844	2-59/64"	1-15/64"	4-1/4"	3-1/2"- 8 NPSM
2896	2846	2-59/64"	1-15/64"	4-49/64"	4"- 8 NPSM

A = Overall length
 B = Thread length
 C = Compression nut across flats
 D = Threads NPSM



Compression Offset Connectors						
CATALOG NUMBER	A	B	C	D	E	F
1952	2-5/32"	13/32"	15/16"	1/2"- 14	7/8"-18-2A	5/8"
1953	2-15/16"	15/32"	1-5/32"	3/4"- 14	1-5/64"- 18-2A	25/32"

A = Overall length
 B = Thread length
 C = Threaded hub O.D.
 D = Threads NPSM
 E = Threads UNS
 F = Throat I.D.

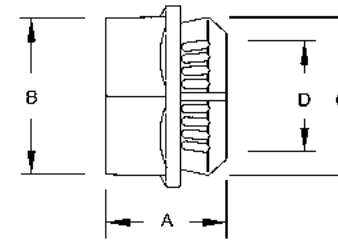


90° Short Angle Connectors							
CATALOG NUMBER	A	B	C	D	E	THREAD SPEC.	F
2072	1-1/8"	23/32"	1-9/32"	1-7/32"	1/2"	1/2"- 14 NPT	5/8"
2073	1-3/8"	15/32"	1-19/32"	1-15/32"	9/16"	3/4"- 14 NPT	13/16"

A = Compression nut O.D.
 B = Compression nut I.D.
 C = Length to end of nut
 D = Length to end of thread
 E = Thread length and thread spec.
 F = Throat I.D.

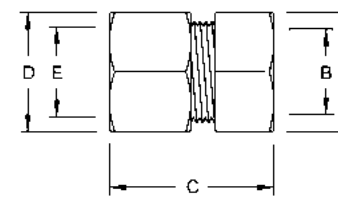
MALLEABLE IRON

EMT CONNECTORS & COMBINATION COUPLINGS



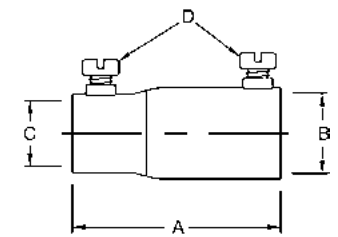
Two-Piece Connectors				
CATALOG NUMBER	A	B	C	D
2702	11/16"	1-3/64"	15/16"	39/64"
2703	13/16"	1-5/16"	1-5/32"	13/16"

A = Overall length
 B = O.D. of nut
 C = O.D. of body
 D = I.D. of throat



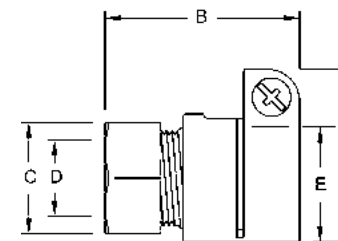
EMT - Rigid - Couplings Threaded/Compression					
CATALOG NUMBER	A	B	C	D	E
1352	1-5/32"	3/4"	1-11/32"	1-1/8"	23/32"
1353	1-7/16"	31/32"	1-17/32"	1-3/8"	15/16"
1354	1-21/32"	1-7/32"	1-5/8"	1-43/64"	1-11/64"

A = O.D. of hub
 B = Throat I.D.
 C = Overall length
 D = Nut O.D.
 E = Nut I.D.



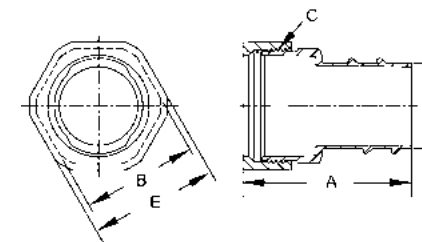
EMT - Rigid Couplings Set Screw				
CATALOG NUMBER	A	B	C	D
1432	2-13/64"	55/64"	23/32"	1/4-28 x 3/8" Pan Head
1433	2-21/32"	1-1/16"	59/64"	1/4-28 x 3/8" Pan Head
1434	3-5/64"	1-21/64"	1-11/64"	1/4-28 x 3/8" Pan Head

A = Overall length
 B = I.D. rigid side
 C = I.D. EMT side
 D = Screw spec.



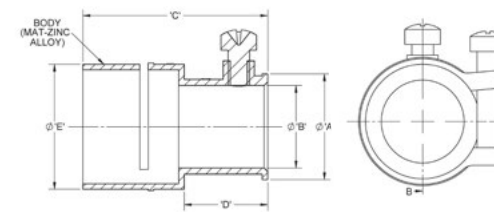
EMT - Flex Couplings Squeeze/Compression					
CATALOG NUMBER	A	B	C	D	E
1941	1-1/4"	1-5/16"	1-7/64"	23/32"	17/32" - 5/8"
1942, 1942-8	1-1/2"	1-3/4"	1-7/64"	23/32"	13/16" - 15/16"
1943, 1943-8	1-3/4"	1-53/64"	1-3/8"	15/16"	1-31/32" - 1-1/8"

A = Width across flex side
 B = Overall length
 C = Nut O.D.
 D = Nut I.D.
 E = Clamping range (flex side)



EMT - Rigid - Couplings Threaded/Compression					
CATALOG NUMBER	A	B	C THREAD SPEC.	D	E
1482	1-21/32"	59/64"	7/8"-18 UNS	5/8"	31/32"
1483	1-51/64"	1-1/8"	1-5/64"-18 UNS	13/16"	1-7/32"
1484	1-63/64"	1-23/64"	1-23/64"-18 UNS	1"	1-33/64"

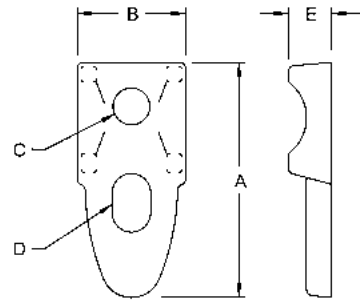
A = Overall length
 B = Body across flat
 C = Thread spec.
 D = Flex end O.D.
 E = Nut across flat



Combination Couplings				
CATALOG NUMBER	A	B	C	E
1852	0.933"	0.728"	1.63"	1.102"
1853	1.157"	0.945"	1.961"	1.303"

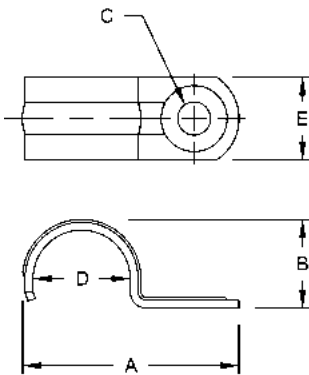
A = Overall length
 B = Body across flat
 C = Thread spec.
 D = Flex end O.D.
 E = Nut across flat

EMT CLAMPBACKS & STRAPS



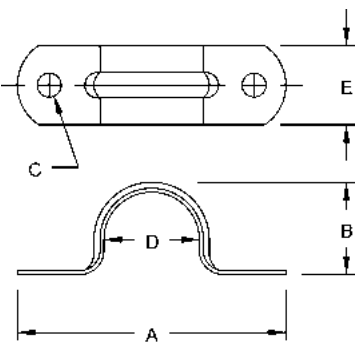
Clampbacks					
CATALOG NUMBER	A	B	C	D	E
1342	2-19/64"	1-1/32"	23/64"	3/8" x 9/16"	27/64"
1343	2-7/16"	1-11/64"	29/64"	27/64" x 21/32"	29/64"
1344	3-1/64"	1-17/64"	3/8"	33/64" x 23/32"	17/32"
1345	3-17/32"	1-19/32"	19/32"	1/2" x 47/64"	35/64"
1346	3-29/32"	1-39/64"	9/16"	9/16" x 15/16"	1/2"
1348	4-27/32"	1-63/64"	9/16"	37/64" x 25/32"	59/64"
1347	5-3/4"	2-13/32"	37/64"	39/64" x 1-1/4"	53/64"
1349	6-47/64"	2-5/8"	33/64"	19/32" x 1-15/64"	27/32"
1350	7-21/32"	3-17/64"	19/32"	43/64" x 1-7/64"	61/64"
1351	8-5/64"	3-7/16"	33/64"	7/8" x 1-19/64"	1-1/32"

A = Overall length
B = Width
C = Hole diameter
D = Slot size
E = Height



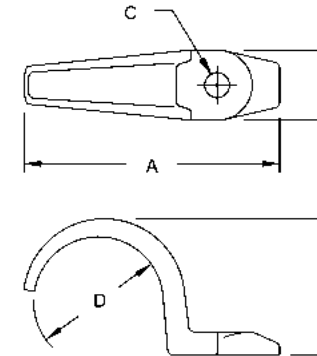
One Hole Push-on Straps					
CATALOG NUMBER	A	B	C	D	E
2082	1-5/8"	49/64"	1/4"	23/32"	5/8"
2083	2-3/16"	1"	9/32"	59/64"	5/8"
2084	2-9/16"	1-9/32"	9/32"	1-11/64"	3/4"
2085	3-1/8"	1-41/64"	9/32"	1-17/32"	7/8"
2086	3-5/8"	1-57/64"	11/32"	1-3/4"	1"
2088	4-7/16"	2-25/64"	11/32"	2-3/16"	1-1/8"
1337	5-5/16"	3-1/16"	21/32"	2-7/8"	1-1/4"
1339	6-1/16"	3-11/16"	21/32"	3-1/2"	1-1/4"
1340	6-7/8"	4-1/4"	21/32"	4"	1-1/4"
1341	7-3/8"	4-3/4"	21/32"	4-1/2"	1-1/4"

A = Overall length
B = Height
C = Hole size
D = Diameter
E = Width of strap



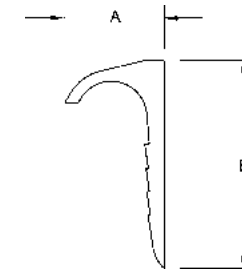
Two Hole Stamped Straps					
CATALOG NUMBER	A	B	C	D	E
2092	2.140"	.750"	.187"	.706"	.625"
2093	2.288"	1.015"	.187"	.922"	.625"
2094	2.750"	1.235"	.250"	1.163"	.750"
2095	3.520"	1.540"	.250"	1.510"	.750"
2096	3.770"	1.785"	.250"	1.740"	.750"
2098	4.453"	2.270"	.250"	2.147"	.750"
2239	5.720"	3.050"	.312"	2.875"	1.000"
2240	6.578"	3.670"	.312"	3.500"	1.000"
2241	7.156"	3.975"	.312"	4.000"	1.000"
2242	7.718"	4.700"	.312"	4.500"	1.000"

A = Overall length
B = Height
C = Hole size
D = Diameter
E = Width of strap



One Hole Straps					
CATALOG NUMBER	A	B	C	D	E
1310	5-3/8"	3-1/32"	35/64"	2-7/8"	1-5/16"
1312	6-39/64"	3-25/32"	9/16"	3-1/2"	1-31/64"
1314	7-7/8"	4-13/32"	45/64"	4"	2"
1316	8-15/64"	4-27/32"	3/4"	4-1/2"	2"

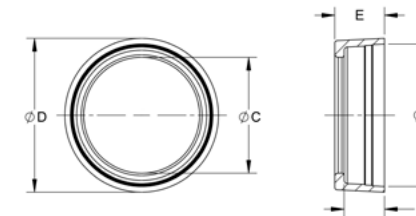
A = Overall length
B = Height
C = Hole size
D = Diameter
E = Width of strap



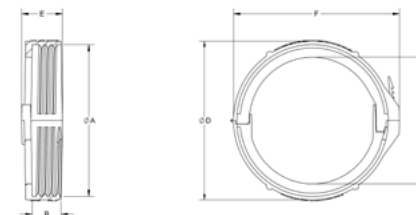
Nail-up Straps Stamped		
CATALOG NUMBER	A	B
2252	1-1/16"	2-3/16"
2253	1-1/4"	2-19/64"
2254	1-1/2"	2-13/32"

A = Width
B = Height

EMT INSULATING BUSHINGS



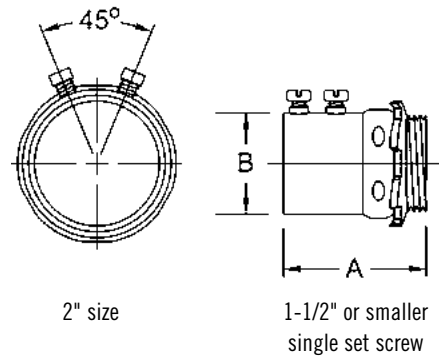
Insulating Bushings					
CATALOG NUMBER	A	B	C	D	E
2172RAC	0.72	0.41	0.56	0.84	0.54
2173RAC	0.93	0.40	0.74	1.05	0.53
2174RAC	1.18	0.50	0.96	1.30	0.64
2175RAC	1.53	0.50	1.24	1.65	0.63
2176RAC	1.77	0.49	1.44	1.91	0.62
2178RAC	2.22	0.50	1.90	2.38	0.63
2180RAC	2.93	1.11	2.24	3.05	1.23
2182RAC	3.54	1.11	3.57	3.70	1.23
2184RAC	4.04	1.11	4.07	4.21	1.24
2186RAC	4.54	1.09	4.56	4.80	1.23



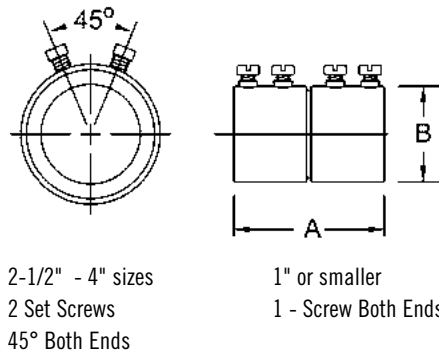
Universal Split Insulating Bushings - Polypropylene						
CATALOG NUMBER	A	B	C	D	E	F
1410USP	2.88	0.55	2.50	3.00	0.78	3.25
1412USP	3.50	0.80	3.00	3.50	1.05	3.75
1414USP	4.00	0.80	3.50	4.00	1.05	4.25
1416USP	4.50	0.80	4.00	4.50	1.05	4.75

A = Thread I.D.
B = Inner thread depth
C = Throat I.D.
D = Diameter
E = Length
F = Max. width

RIGID AND IMC CONNECTORS & COUPLINGS



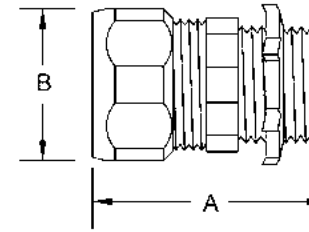
Set Screw Connectors			
CATALOG NUMBER	A	B	THREAD SPEC.
3002	1-1/8"	1-1/8"	1/2"-14 NPS
3003	1-1/4"	1-3/8"	3/4"-14 NPS
3004	1-1/2"	1-5/8"	1"-11-1/2 NPS
3005	1-3/4"	2"	1-1/4"-11-1/2 NPS
3006	1-7/8"	2-1/4"	1-1/2"-11-1/2 NPS
3008	2"	2-3/4"	2"-11-1/2 NPS



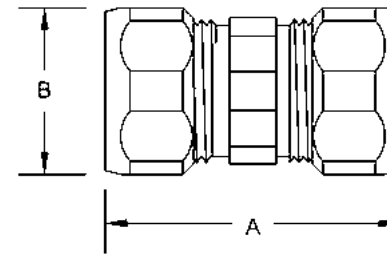
Set Screw Couplings		
CATALOG NUMBER	A	B
3022	1-1/2"	1-1/8"
3023	1-1/2"	1-3/8"
3024	1-7/8"	1-5/8"
3025	1-3/16"	2"
3026	2-5/8"	2-1/4"
3028	2-3/4"	2-3/4"

A = Overall length
B = Body O.D.

RIGID COMPRESSION CONNECTORS



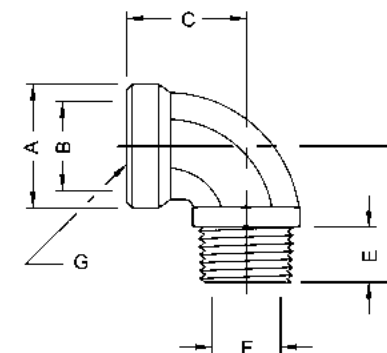
Connectors				
INSULATED CAT. NUMBER	UNINSULATED CAT. NUMBER	A	B	THREAD SPEC.
3802RAC	1802	1-11/32"	1-11/64"	1/2"-14 NPS
3803RAC	1803	1-31/64"	1-7/16"	3/4"-14 NPS
3804RAC	1804	1-37/64"	1-3/4"	1"-11-1/2 NPS
3805RAC	1805	1-55/64"	2-5/32"	1-1/4"-11-1/2 NPS
3806RAC	1806	1-15/16"	2-3/8"	1-1/2"-11-1/2 NPS
3808RAC	1808	2-7/32"	2-7/8"	2"-11-1/2 NPS
—	1810	4"	4-9/64"	2-1/2"- 8 NPS
—	1812	4-5/16"	4-23/32"	3"- 8 NPS
—	1814	4-3/8"	5-3/8"	3-1/2"- 8 NPS
—	1816	4-1/2"	5-29/32"	4"- 8 NPS



Couplings		
CATALOG NUMBER	A	B
1822	1-3/4"	1-3/16"
1823	1-13/16"	1-7/16"
1824	1-61/64"	1-3/4"
1825	2-21/32"	2-5/32"
1826	2-45/64"	2-3/8"
1828	2-15/16"	3-3/8"
1830	5-3/4"	3-15/16"
1832	5-3/4"	4-21/32"
1834	6"	5-13/64"
1836	6-13/16"	5-3/4"

A = Overall length
B = Compression nut O.D.

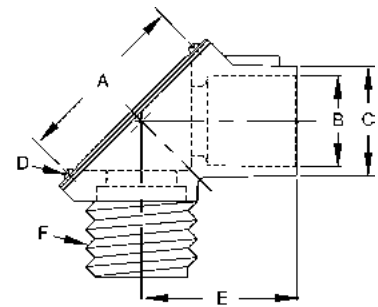
RIGID SHORT ELBOWS



90° Short Elbows							
CATALOG NUMBER	A	B	C	D	E	F	G THREAD SPEC.
1722	1-5/64"	3/4"	1-1/16"	1-17/32"	1/2"	39/64"	1/2"-14 NPS
1723	1-9/32"	61/64"	1-9/32"	1-15/32"	9/16"	13/16"	3/4"-14 NPS

A = Hub O.D.
B = Hub I.D.
C = Length to end of hub
D = Length to end of thread
E = Thread length
F = Throat I.D.
G = Thread spec

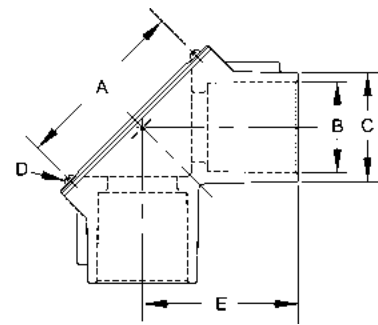
RIGID HANDY ELLS



90° Handy Ells Threaded - Connectors

CATALOG NUMBER	A	B	C	D	E	F
2662	1-1/2"	1/2"-14 NPSM	1"	8 - 32 x 1/4"	1-5/16"	1/2"-14 NPSM
2663	1-13/16"	3/4"-14 NPSM	1-15/64"	8 - 32 x 1/4"	1-13/32"	3/4"-14 NPSM
2664RAC	2-51/64"	1"-11-1/2 NPSM	1-35/64"	8 - 32 x 1/4"	1-27/32"	1"-11-1/2 NPSM

A = Distance between cover screws
 B = Threaded hub end
 C = Body O.D.
 D = Screw size and length
 E = Length to end of body
 F = Threaded hub

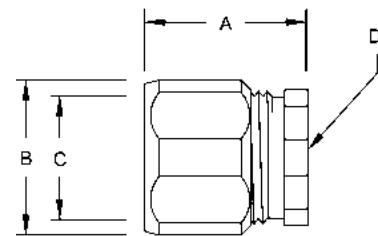


90° Handy Ells Threaded - Couplings

CATALOG NUMBER	A	B	C	D	E
2652	1-1/2"	1/2"-14 NPSM	1"	8 - 32 x 1/4"	1-5/16"
2653	1-13/16"	3/4"-14 NPSM	1-15/64"	8 - 32 x 1/4"	1-13/32"
2654	2-51/64"	1"-11-1/2 NPSM	1-35/64"	8 - 32 x 1/4"	1-27/32"
2655	2-27/32"	1-1/4"-11-1/2 NPSM	1-59/64"	8 - 32 x 1/4"	2-1/64"

A = Distance between cover screws
 B = Threaded hub
 C = Body O.D.
 D = Screw size and length
 E = Length to end of body

RIGID THREE-PIECE COUPLINGS



Three-Piece Couplings

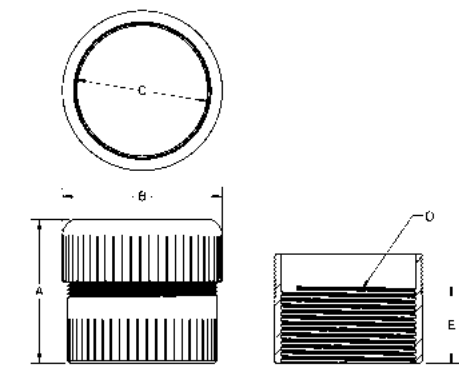
CATALOG NUMBER	A	B	C	D THREAD SPEC.
1502	1-3/32"	1-7/32"	49/64"	1/2"-14 NPT
1503	1-1/8"	1-7/16"	31/32"	3/4"-14 NPT
1504	1-3/8"	1-3/4"	1-7/32"	1"-11-1/2 NPT
1505	1-11/16"	2-5/32"	1-9/16"	1-1/4"-11-1/2 NPT
1506	2-17/64"	2-3/4"	1-13/16"	1-1/2"-11-1/2 NPT
1508	2-13/32"	3-3/8"	2-9/32"	2"-11-1/2 NPT
1510	3-1/8"	4-1/16"	2-3/4"	2-1/2" - 8 NPT
1512	3-3/8"	4-17/32"	3-3/8"	3" - 8 NPT
1514	3-43/64"	5-3/16"	3-7/8"	3-1/2" - 8 NPT
1516	3-15/32"	5-3/4"	4-3/8"	4" - 8 NPT
1520	4-3/32"	6-3/4"	5-7/16"	5" - 8 NPT
1524	4-17/64"	8-1/16"	6-1/2"	6" - 8 NPT

A = Overall length
 B = O.D. body
 C = I.D. body
 D = Thread size

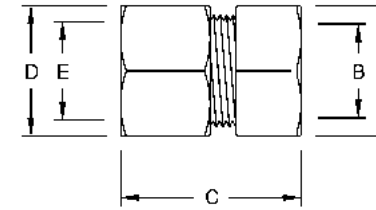
Three-Piece Super Couplings

CATALOG NUMBER	A	B	C	D	E
1530RAC	3-1/8"	3-7/16"	2-15/16"	2-1/2" - 8 NPT	1-5/8"
1532RAC	3-5/16"	4-1/16"	3-1/2"	3 - 8 NPT	1-3/4"
1534RAC	3-1/2"	4-9/16"	4-1/16"	3-1/2" - 8 NPT	1-3/4"
1536RAC	3-9/16"	5-1/8"	4-1/2"	4 - 8 NPT	1-3/4"

A = Overall length
 B = O.D. body
 C = I.D. body
 D = Thread Spec. Internal
 E = Thread Length Internal



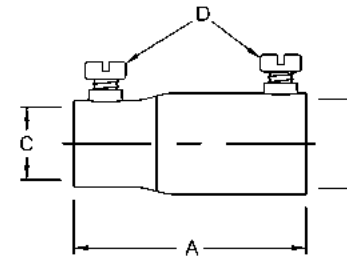
RIGID COMBINATION COUPLINGS



Rigid - EMT Couplings Threaded/Compression

CATALOG NUMBER	A	B	C	D	E
1352	1-5/32"	3/4"	1-7/16"	1-1/8"	23/32"
1353	1-3/8"	31/32"	1-17/32"	1-3/8"	15/16"
1354	1-21/32"	1-7/32"	1-5/8"	1-43/64"	1-11/64"

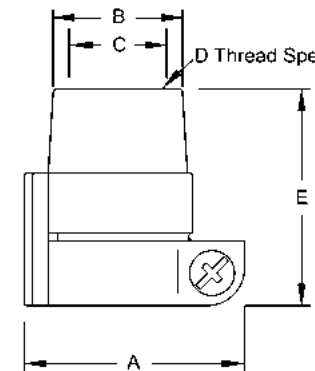
A = Nut O.D.
 B = Nut I.D.
 C = Overall length
 D = O.D. of Hub
 E = Throat I.D.



Rigid - EMT Couplings Set Screw

CATALOG NUMBER	A	B	C	D THREAD SPEC.
1432	2-13/64"	55/64"	23/32"	1/4-28 x 3/8" Pan Head
1433	2-21/32"	1-1/16"	59/64"	1/4-28 x 3/8" Pan Head
1434	3-1/16"	1-21/64"	1-11/64"	1/4-28 x 3/8" Pan Head

A = Overall length
 B = I.D. rigid side
 C = I.D. EMT side
 D = Screw spec

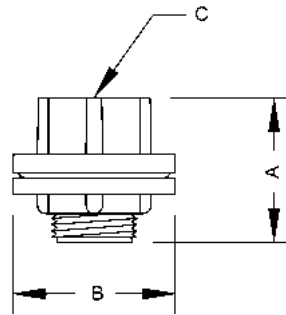


Rigid - Flex Couplings

CATALOG NUMBER	A	B	C	D THREAD SPEC.	E
1552	1-43/64"	1-13/64"	3/4"	1/2"-14 NPT	1-1/2"
1553	1-7/8"	1-23/64"	31/32"	3/4"-14 NPT	1-3/4"
1554	2-5/16"	1-21/32"	1-7/32"	1"-11-1/2 NPT	1-53/64"

A = Width across flex side
 B = Hub O.D.
 C = Hub I.D.
 D = Thread spec hub
 E = Overall length

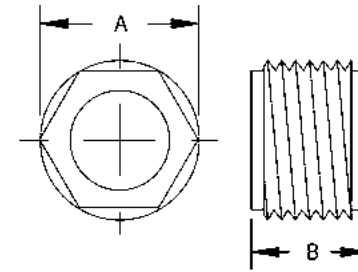
RIGID THREADED HUBS



Threaded Hubs Insulated Throat			
CATALOG NUMBER	A	B	C
1702	1.500"	1.437"	1/2"-14 NPT
1703	1.510"	1.685"	3/4"-14 NPT
1704	1.812"	1.921"	1"-11-1/2 NPT
1705	1.877"	2.370"	1-1/4"-11-1/2 NPT
1706	1.920"	2.745"	1-1/2"-11-1/2 NPT
1708	1.895"	3.236"	2"-11-1/2 NPT
1710	2.605"	3.708"	2-1/2"-8 NPT
1712	2.615"	4.370"	3"-8 NPT
1714	2.570"	4.941"	3-1/2"-8 NPT
1716	2.590"	5.450"	4"-8 NPT

A = Overall length
 B = O.D.
 C = Thread size

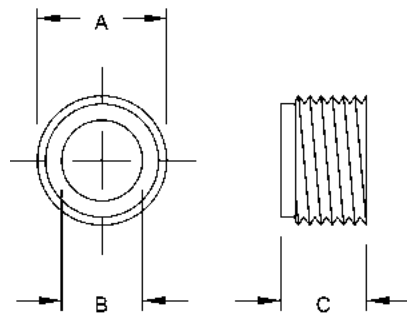
RIGID REDUCING BUSHINGS



Reducing Bushings				
CATALOG NUMBER	A	THREAD SPEC.	B	THREAD SPEC.
1160	2-7/8"	2-1/2"-8 NPT	1-5/16"	1-1/4"-11-1/2 NPT
1161	2-7/8"	2-1/2"-8 NPT	1-5/16"	1-1/2"-11-1/2 NPT
1162	2-7/8"	2-1/2"-8 NPT	1-5/16"	2"-11-1/2 NPT
1168	3-7/16"	3"-8 NPT	1-5/16"	2"-11-1/2 NPT
1169	3-7/16"	3"-8 NPT	1-9/16"	2-1/2"-8 NPT
1175	4"	3-1/2"-8 NPT	1-1/2"	2"-11-1/2 NPT
1176	4"	3-1/2"-8 NPT	1-9/16"	2-1/2"-8 NPT
1177	4"	3-1/2"-8 NPT	1-5/8"	3"-8 NPT
1185	4-7/16"	4"-8 NPT	1-9/16"	3"-8 NPT
1186	4-7/16"	4"-8 NPT	1-3/4"	3-1/2"-8 NPT

A = O.D./thread size
 B = Thickness

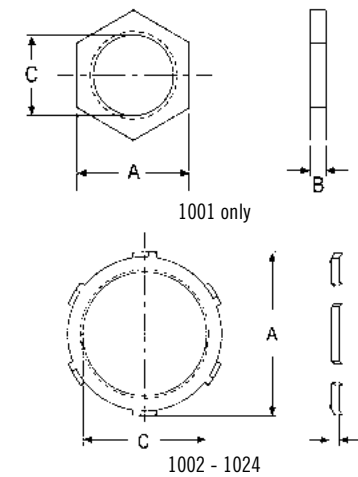
RIGID REDUCING BUSHINGS



Reducing Bushings					
CATALOG NUMBER	A	THREAD SPEC.	B	THREAD SPEC.	C
1141	13/16"	1/2"-14 NPS	1/2"	3/8"-18 NPS	17/32"
1142	1-1/64"	3/4"-14 NPS	39/64"	1/2"-14 NPS	9/16"
1143	1-9/32"	1"-11-1/2 NPS	39/64"	1/2"-14 NPS	5/8"
1144	1-9/32"	1"-11-1/2 NPS	13/16"	3/4"-14 NPS	5/8"
1145	1-5/8"	1-1/4"-11-1/2 NPS	39/64"	1/2"-14 NPS	11/16"
1146	1-5/8"	1-1/4"-11-1/2 NPS	13/16"	3/4"-14 NPS	11/16"
1147	1-5/8"	1-1/4"-11-1/2 NPS	1-3/64"	1"-11-1/2 NPS	11/16"
1148	1-7/8"	1-1/2"-11-1/2 NPS	39/64"	1/2"-14 NPS	23/32"
1149	1-7/8"	1-1/2"-11-1/2 NPS	13/16"	3/4"-14 NPS	23/32"
1150	1-7/8"	1-1/2"-11-1/2 NPS	1-3/64"	1"-11-1/2 NPS	23/32"
1151	1-7/8"	1-1/2"-11-1/2 NPS	1-11/32"	1-1/4"-11-1/2 NPS	23/32"
1152	2-21/64"	2"-11-1/2 NPS	39/64"	1/2"-14 NPS	27/32"
1153	2-21/64"	2"-11-1/2 NPS	1-13/16"	3/4"-14 NPS	27/32"
1154	2-21/64"	2"-11-1/2 NPS	1-3/64"	1"-11-1/2 NPS	27/32"
1155	2-21/64"	2"-11-1/2 NPS	1-11/32"	1-1/4"-11-1/2 NPS	27/32"
1156	2-21/64"	2"-11-1/2 NPS	1-19/32"	1-1/2"-11-1/2 NPS	27/32"

A = O.D./thread size
 B = Throat I.D./thread size
 C = Thickness

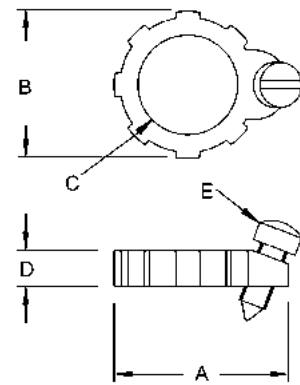
RIGID LOCKNUTS



Locknuts			
CATALOG NUMBER	A	B	C
1001	0.850"	0.125"	3/8" NPSL - 18
1002	1.130"	0.125"	1/2"-14
1003	1.390"	0.125"	3/4"-14
1004	1.705"	0.170"	1"-11.5
1005	2.065"	0.170"	1-1/4"-11.5
1006	2.360"	0.170"	1-1/2"-11.5
1008	2.860"	0.170"	2"-11.5
1010	3.430"	0.170"	2-1/2"-8
1012	4.110"	0.170"	3"-8
1014	4.690"	0.170"	3-1/2"-8
1016	5.265"	0.170"	4"-8
1020	6.530"	0.314"	5"-8
1024	7.850"	0.314"	6"-8

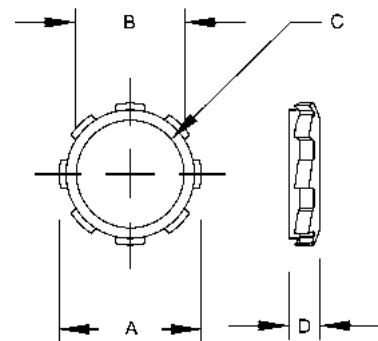
Non-UL Locknuts			
CATALOG NUMBER	A	B	C
1192	1.13"	0.098"	1/2"-14
1193	1.39"	0.098"	3/4"-14
1194	1.70"	0.125"	1"-11.5
1195	2.06"	0.125"	1-1/4"-11.5
1196	2.36"	0.125"	1-1/2"-11.5
1198	2.86"	0.125"	2"-11.5
1197	3.43"	0.170"	2-1/2"-8
1199	4.11"	0.170"	3"-8
1200	4.69"	0.170"	3-1/2"-8
1201	5.26"	0.170"	4"-8
1219	6.53"	0.314"	5"-8
1220	7.85"	0.314"	6"-8

RIGID LOCKNUTS



Bonding Locknuts					
CATALOG NUMBER	A	B	C THREAD SPEC.	D	E
1242	1.35"	1.04"	1/2"-14 NPT	.20"	6-32 x 1/2"
1243	1.58"	1.29"	3/4"-14 NPT	.20"	6-32 x 1/2"
1244	1.88"	1.59"	1"-11-1/2 NPT	.22"	6-32 x 1/2"
1245	2.30"	1.95"	1-1/4"-11-1/2 NPT	.23"	8-24 x 1/2"
1246	2.60"	2.23"	1-1/2"-11-1/2 NPT	.23"	8-24 x 1/2"
1248	3.09"	2.73"	2"-11-1/2 NPT	.26"	8-24 x 1/2"
1250	3.52"	3.31"	2-1/2"- 8 NPT	.45"	8-24 x 31/32"
1252	4.19"	4.00"	3"- 8 NPT	.45"	8-24 x 31/32"
1254	4.74"	4.52"	3-1/2"- 8 NPT	.45"	8-24 x 31/32"
1256	5.39"	5.05"	4"- 8 NPT	.45"	8-24 x 31/32"

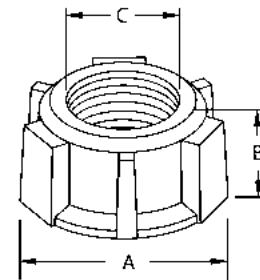
A = Overall length
 B = O.D.
 C = Thread size
 D = Thickness
 E = Screw spec



Sealing Locknuts				
CATALOG NUMBER	A	B	C THREAD SPEC.	D
1202	1-9/64"	25/32"	1/2"-14 NPT	7/32"
1203	1-25/64"	63/64"	3/4"-14 NPT	15/64"
1204	1-23/32"	1-17/64"	1"-11-1/2 NPT	1/4"
1205	2-5/64"	1-37/64"	1-1/4"-11-1/2 NPT	9/32"
1206	2-3/8"	1-13/16"	1-1/2"-11-1/2 NPT	19/64"
1208	2-29/32"	2-5/16"	2"-11-1/2 NPT	19/64"
1207	3-15/32"	2-51/64"	2-1/2"- 8 NPT	5/16"
1209	4-3/16"	3-27/64"	3"- 8 NPT	3/8"
1210	4-11/16"	3-15/16"	3-1/2"- 8 NPT	3/8"
1211	5-9/32"	4-13/32"	4"- 8 NPT	3/8"

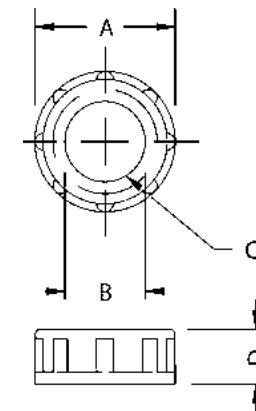
A = O.D.
 B = I.D.
 C = Thread size
 D = Thickness

RIGID BUSHINGS



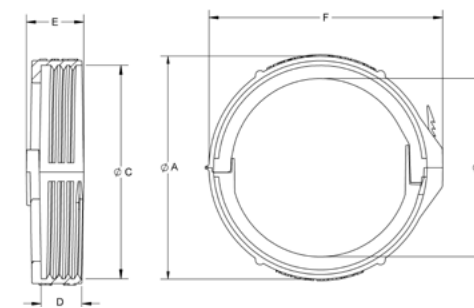
Bushings			
CATALOG NUMBER	A	B	C THROAT DIA.
1102RAC	1-5/32"	9/16"	5/8"
1103	1-13/32"	9-16"	53/64"
1104	1-3/4"	21/32"	1-1/32"
1105	2-1/8"	21/32"	1"
1106	2-11/32"	23/32"	1-39/64"
1108	2-23/32"	23/32"	2-3/64"
1110	3-9/32"	15/16"	2-29/64"
1112	3-7/8"	15/16"	3-3/64"
1114	4-13/32"	15/16"	3-17/32"
1116	4-29/32"	15/16"	4-1/16"

A = O.D. B = Thickness C = I.D.



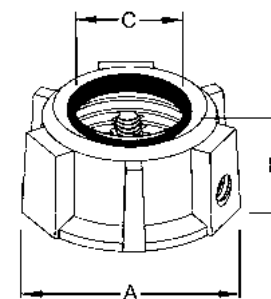
Insulating Bushings				
CATALOG NUMBER	A	B	C THREAD SPEC.	D
1402	1-1/16"	19/32"	1/2"-14 NPT	23/64"
1403	1-19/64"	25/32"	3/4"-14 NPT	13/32"
1404	1-5/8"	1"	1"-11-1/2 NPT	31/64"
1405	1-61/64"	1-9/64"	1-1/4"-11-1/2 NPT	31/64"
1406	2-3/16"	1-33/64"	1-1/2"-11-1/2 NPT	31/64"
1408	2-41/64"	1-61/64"	2"-11-1/2 NPT	35/64"
1410	3-1/4"	2-21/64"	2-1/2"- 8 NPT	5/8"
1412	3-29/32"	2-29/32"	3"- 8 NPT	11/16"
1414	4-13/32"	3-11/32"	3-1/2"- 8 NPT	11/16"
1416	4-15/16"	3-53/64"	4"- 8 NPT	11/16"
1420	5-63/64"	4-15/16"	5"- 8 NPT	49/64"
1424	7-1/16"	5-15/16"	6"- 8 NPT	49/64"

A = O.D. B = I.D. C = Thread size D = Thickness



Universal Split Insulating Bushings						
CATALOG NUMBER	A	B	C THREAD SPEC.	D	E	F
1410USP	3.00"	2.88"	2.50"	.55"	.78"	3.25"
1412USP	3.50"	3.50"	3.00"	.80"	1.05"	3.75"
1414USP	4.00"	4.00"	3.50"	.80"	1.05"	4.25"
1416USP	4.50"	4.50"	4.00"	.80"	1.05"	4.75"

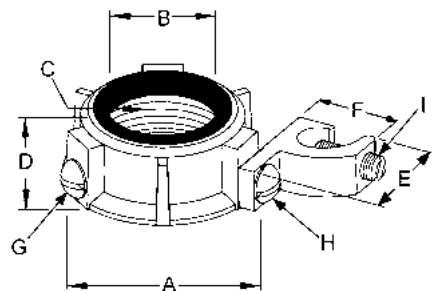
A = O.D. B = I.D. C = Thread size D = Thread Length E = Length F = Max. Width



Insulated Bushings			
CATALOG NUMBER	A	B	C THROAT DIA.
1132	1-5/32"	9/16"	37/64"
1133	1-13/32"	9/16"	49/64"
1134	1-3/4"	21/32"	31/32"
1135	2-1/8"	21/32"	1-9/32"
1136	2-11/32"	23/32"	1-1/2"
1138	2-23/32"	23/32"	1-61/64"
1126	3-9/32"	15/16"	2-19/64"
1127	3-7/8"	15/16"	2-29/32"
1128	4-13/32"	15/16"	3-3/8"
1129	4-29/32"	15/16"	3-55/64"

A = O.D. B = Thickness C = I.D.

RIGID INSULATED GROUNDING BUSHINGS



150 Degree Insulated Grounding Bushings - Lay-in Lug

CATALOG NUMBER	A	B	C	D	E	F	G SET SCREW	H PAN HEAD SCREW	I SET SCREW
1212	1-5/32"	9/16"	1/2"-14 NPS	37/64"	1-1/16"	3/8"	10-32 x 1/4"	10-32 x 1/4"	14-28 x 5/8"
1213	1-13/32"	9/16"	3/4"-14 NPS	3/4"	1-1/16"	3/8"	10-32 x 1/4"	10-32 x 1/4"	14-28 x 5/8"
1214	1-3/4"	21/32"	1"-11-1/2 NPS	31/32"	1-1/16"	3/8"	10-32 x 1/4"	10-32 x 1/4"	14-28 x 5/8"
1215	2-1/8"	21/32"	1-1/4"-11-1/2 NPS	1-9/32"	1-1/16"	3/8"	10-32 x 1/4"	10-32 x 1/4"	14-28 x 5/8"
1216	2-11/32"	23/32"	1-1/2"-11-1/2 NPS	1-1/2"	1-1/16"	3/8"	10-32 x 1/4"	10-32 x 1/4"	14-28 x 5/8"
1218	2-23/32"	23/32"	2"-11-1/2 NPS	1-61/64"	1-1/16"	3/8"	10-32 x 1/4"	10-32 x 1/4"	14-28 x 5/8"
1290	3-9/32"	15/16"	2-1/2"- 8 NPS	2-19/64"	1-1/2"	19/32"	10-32 x 5/16"	1/4-20 x 3/8"	3/8-24 x 7/8"
1292RAC	3-7/8"	15/16"	3"- 8 NPS	2-29/32"	1-1/2"	19/32"	10-32 x 5/16"	1/4-20 x 3/8"	3/8-24 x 7/8"
1294	4-13/32"	15/16"	3-1/2"- 8 NPS	3-3/8"	2-13/64"	51/64"	5/16-24 x 3/8"	5/16-24 x 17/32"	9/16-18 x 1-1/4"
1296	4-29/32"	15/16"	4"- 8 NPS	3-55/64"	2-13/64"	51/64"	5/16-24 x 7/16"	5/16-24 x 17/32"	9/16-18 x 1-1/4"
1262DC	1-5/32"	9/16"	1/2"-14 NPS	37/64"	1-1/16"	3/8"	10-32 x 1/4"	10-32 x 1/4"	14-28 x 5/8"
1263DC	1-13/32"	9/16"	3/4"-14 NPS	3/4"	1-1/16"	3/8"	10-32 x 1/4"	10-32 x 1/4"	14-28 x 5/8"
1264DC	1-3/4"	21/32"	1"-11-1/2 NPS	31/32"	1-1/16"	3/8"	10-32 x 1/4"	10-32 x 1/4"	14-28 x 5/8"

150 Degree Insulated Grounding Bushings - Feed-thru Lug

1222	1-5/32"	9/16"	1/2"-14 NPS	37/64"	1-1/16"	1/2"	10-32 x 1/4"	10-32 x 7/32"	14-28 x 3/8"
1223	1-13/32"	9/16"	3/4"-14 NPS	49/64"	1-1/16"	1/2"	10-32 x 1/4"	10-32 x 7/32"	14-28 x 3/8"
1224	1-3/4"	21/32"	1"-11-1/2 NPS	31/32"	1-1/16"	1/2"	10-32 x 1/4"	10-32 x 1/4"	14-28 x 3/8"
1225	2-1/8"	21/32"	1-1/4"-11-1/2 NPS	1-9/32"	1-1/16"	1/2"	10-32 x 1/4"	10-32 x 1/4"	14-28 x 3/8"
1226	2-11/32"	23/32"	1-1/2"-11-1/2 NPS	1-1/2"	1-1/16"	1/2"	10-32 x 1/4"	10-32 x 1/4"	14-28 x 3/8"
1228	2-23/32"	23/32"	2"-11-1/2 NPS	1-61/64"	1-1/16"	1/2"	10-32 x 1/4"	10-32 x 1/4"	14-28 x 3/8"
1230	3-9/32"	15/16"	2-1/2"- 8 NPS	2-19/64"	1-15/32"	5/8"	5/16-24 x 3/8"	5/16-24 x 3/8"	7/16-20 x 3/8"
1232RAC	3-7/8"	15/16"	3"- 8 NPS	2-29/32"	1-15/32"	5/8"	5/16-24 x 3/8"	5/16-24 x 3/8"	7/16-20 x 3/8"
1234	4-13/32"	15/16"	3-1/2"- 8 NPS	3-3/8"	1-3/4"	27-32"	5/16-24 x 3/8"	5/16-24 x 27/64"	5/8-18 x 11/16"
1236	4-29/32"	15/16"	4"- 8 NPS	3-55/64"	1-3/4"	27-32"	5/16-24 x 7/16"	5/16-24 x 27/64"	5/8-18 x 11/16"

A = O.D.
 B = I.D.
 C = Thread size
 D = Thickness
 E = Height of lug
 F = Width of lug
 G = Screw spec, bonding screw
 H = Screw spec, screw that holds lug to bushing
 I = Screw spec, screw that holds ground wire

RIGID STRAPS

One-Hole Push-on Straps

CATALOG NUMBER	A	B	C	D	E
1332	1-59/64"	7/8"	9/32"	55/64"	7/8"
1333	2-5/16"	1-3/32"	9/32"	1-1/16"	3/4"
1334	2-11/16"	1-1/4"	9/32"	1-5/16"	3/4"
1335	3-1/8"	1-5/8"	11/32"	1-5/8"	7/8"
1336	3-27/32"	1-7/8"	13/32"	1-15/16"	7/8"
1338	4-9/16"	2-7/16"	13/32"	2-3/8"	7/8"
1337	5-5/16"	3"	21/32"	2-7/8"	1-1/4"
1339	6-1/16"	3-9/16"	21/32"	3-1/2"	1-1/4"
1340	6-7/8"	3-7/8"	21/32"	4"	1-1/4"
1341	7-3/8"	4-1/4"	21/32"	4-1/2"	1-1/4"

One-Hole Straps

CATALOG NUMBER	A	B	C	D	E
1301	1-7/8"	25/32"	11/32"	11/16"	21/32"
1302	2-1/64"	31/32"	9/32"	27/32"	5/8"
1303	2-7/32"	1-1/32"	5/16"	1-1/16"	3/4"
1304	2-23/32"	1-5/16"	23/64"	1-5/16"	29/32"
1305	3-1/32"	1-25/32"	13/32"	1-21/32"	51/64"
1306	3-27/32"	2-5/64"	27/64"	1-29/32"	1-1/16"
1308	4-1/2"	2-35/64"	9/16"	2-3/8"	1-13/32"
1310	5-3/8"	3-1/32"	35/64"	2-7/8"	1-5/16"
1312	6-39/64"	3-25/32"	9/16"	3-1/2"	1-31/64"
1314	7-7/8"	4-13/32"	45/64"	4"	2"
1316	8-15/64"	4-27/32"	3/4"	4-1/2"	2"

One-Hole Straps

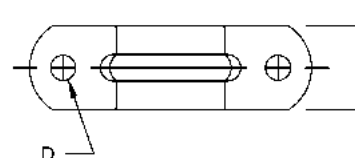
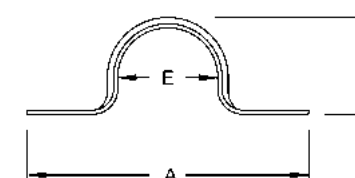
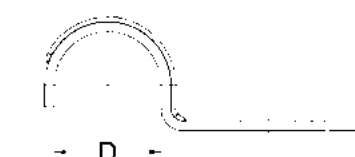
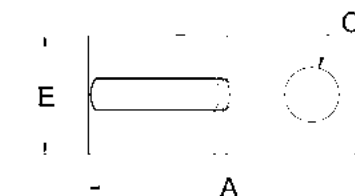
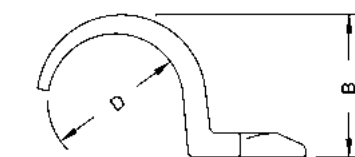
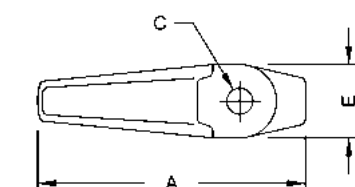
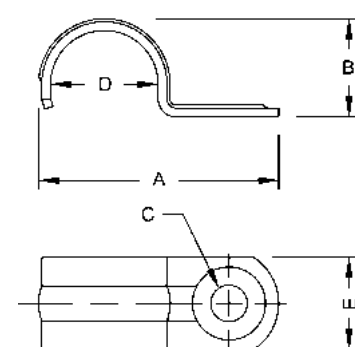
CATALOG NUMBER	A	B	C	D	E
2081	1.347"	.545"	.262"	.512"	.570"

A = Overall length
 B = Height
 C = Hole size
 D = Diameter
 E = Width of strap

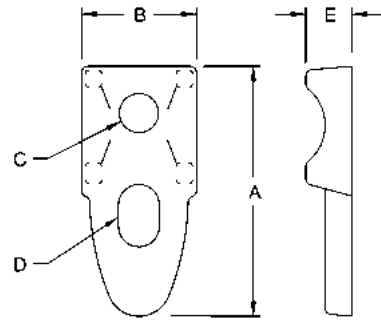
Two-Hole Straps

CATALOG NUMBER	A	B	C	D	E
2232	2-9/16"	7/8"	19/32"	3/16"	13/16"
2233	2-3/8"	1-1/8"	19/32"	3/16"	1-1/16"
2234	2-15/16"	1-31/32"	23/32"	1/4"	1-5/16"
2235	3-3/4"	1-11/16"	23/32"	1/4"	1-21/32"
2236	4-1/8"	1-7/8"	23/32"	1/4"	1-7/8"
2238	5"	2-7/16"	23/32"	17/64"	2-3/8"
2239	5-3/4"	3-1/8"	1"	5/16"	2-7/8"
2240	6-23/32"	3-11/16"	1"	5/16"	3-35/64"
2241	7-1/2"	3-15/16"	1"	5/16"	4-3/64"
2242	7-7/8"	4-11/16"	1"	5/16"	4-35/64"
2245-2	10-11/16"	5-43/64"	1-1/4"	21/32"	5-49/64"
2246-2	12-9/64"	6-19/32"	1-1/4"	21/32"	7"

A = Overall length
 B = Overall height
 C = Strap width
 D = Hole diameter
 E = Diameter



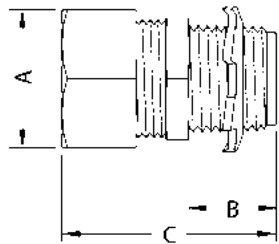
RIGID CLAMPBACKS



Clamp Backs					
CATALOG NUMBER	A	B	C	D	E
1342	2-19/64"	1-1/32"	23/64"	3/8" x 9/16"	27/64"
1343	2-7/16"	1-11/64"	29/64"	27/64" x 21/32"	29/64"
1344	3-1/64"	1-17/64"	3/8"	33/64" x 23/32"	17/32"
1345	3-17/32"	1-19/32"	19/32"	1/2" x 47/64"	35/64"
1346	3-29/32"	1-39/64"	9/16"	9/16" x 15/16"	1/2"
1348	4-27/32"	1-63/64"	9/16"	37/64" x 25/32"	59/64"
1347	5-3/4"	2-13/32"	37/64"	39/64" x 1-1/4"	53/64"
1349	6-47/64"	2-5/8"	33/64"	19/32" x 1-15/64"	27/32"
1350	7-21/32"	3-17/64"	19/32"	43/64" x 1-7/64"	61/64"
1351	8-5/64"	3-7/16"	33/64"	7/8" x 1-19/64"	1-1/32"

A = Overall length
 B = Width
 C = Hole diameter
 D = Slot size
 E = Height

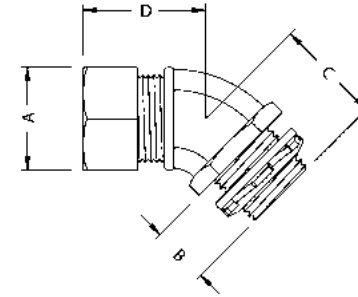
LIQUIDTIGHT CONDUIT AND CORD CONNECTORS



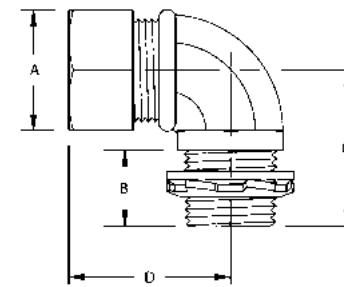
Straight Connectors					
INSULATED CATALOG NO.	UNINSULATED CATALOG NO.	A	B	THREAD SPEC.	C
3511RAC	—	1-1/16"	1/2"	1/2"-14 NPT	1-29/64"
—	3401	1-1/16"	1/2"	1/2"-14 NPT	1-29/64"
—	3401-8	1-1/16"	1/2"	1/2"-14 NPT	1-29/64"
3512RAC	3402	1-3/16"	1/2"	1/2"-14 NPT	1-15/32"
3512-8	3402-8	1-3/16"	1/2"	1/2"-14 NPT	1-15/32"
3513RAC	3403	1-13/32"	9/16"	3/4"-14 NPT	1-31/64"
3513-8	3403-8	1-13/32"	9/16"	3/4"-14 NPT	1-31/64"
3514RAC	3404	1-45/64"	19/32"	1"-11-1/2 NPT	1-51/64"
3514-8	3404-8	1-45/64"	19/32"	1"-11-1/2 NPT	1-51/64"
3515RAC	3405	2-3/16"	43/64"	1-1/4"-11-1/2 NPT	1-7/8"
3516	3406	2-13/32"	47/64"	1-1/2"-11-1/2 NPT	2-11/64"
3518	3408	3-1/32"	21/32"	2"-11-1/2 NPT	2-9/32"
3520	3410	3-5/8"	1"	2-1/2"- 8 NPT	3-5/16"
3522	3412	3-3/8"	1-3/64"	3"- 8 NPT	3-1/2"
3524	3414	3-31/32"	1-1/8"	3-1/2"- 8 NPT	3-5/8"
3526	3416	5-35/64"	1-5/32"	4"- 8 NPT	3-5/8"

A = Nut Flats
 B = Thread length and thread spec.
 C = Overall Length

LIQUIDTIGHT CONDUIT AND CORD CONNECTORS

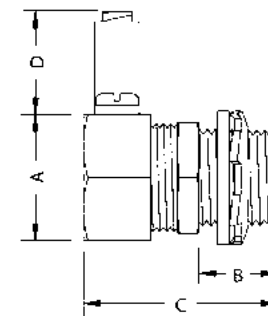


45° Connectors						
INSULATED CATALOG NO.	UNINSULATED CATALOG NO.	A	B	THREAD SPEC.	C	D
3561	3441	1-1/16"	17/32"	1/2"-14 NPT	1-3/8"	1-1/32"
3562	3442	1-3/16"	9/16"	1/2"-14 NPT	1-1/4"	1-1/16"
3563	3443	1-13/32"	19/32"	3/4"-14 NPT	1-21/32"	1-3/16"
3564	3444	1-45/64"	5/8"	1"-11-1/2 NPT	1-21/32"	1-13/32"
3565	3445	2-3/16"	23/32"	1-1/4"-11-1/2 NPT	1-13/16"	1-1/2"
3566	3446	2-3/8"	47/64"	1-1/2"-11-1/2 NPT	2"	1-9/16"
3568	3448	3-1/32"	49/64"	2"-11-1/2 NPT	2-3/8"	1-3/4"



90° Connectors						
INSULATED CATALOG NO.	UNINSULATED CATALOG NO.	A	B	THREAD SPEC.	C	D
3541RAC	3421	1-3/64"	35/64"	1/2"-14 NPT	1-3/8"	1-7/16"
—	3421-8	1-3/64"	35/64"	1/2"-14 NPT	1-3/8"	1-7/16"
3542	3422	1-11/64"	9/16"	1/2"-14 NPT	1-13/32"	1-5/8"
3542-8	3422-8	1-11/64"	9/16"	1/2"-14 NPT	1-13/32"	1-5/8"
3543	3423	1-13/32"	37/64"	3/4"-14 NPT	1-5/8"	1-7/8"
3543-8	3423-8	1-13/32"	37/64"	3/4"-14 NPT	1-5/8"	1-7/8"
3544	3424	1-45/64"	41/64"	1"-11-1/2 NPT	1-15/16"	2-1/8"
3544-8	3424-8	1-45/64"	41/64"	1"-11-1/2 NPT	1-15/16"	2-1/8"
3545	3425	2-3/16"	21/32"	1-1/4"-11-1/2 NPT	2-1/64"	2-1/4"
3546	3426	2-13/32"	49/64"	1-1/2"-11-1/2 NPT	2-1/4"	2-5/8"
3548	3428	3-1/32"	3/4"	2"-11-1/2 NPT	2-15/32"	3"
3550	3430	3-45/64"	1-1/32"	2-1/2"- 8 NPT	3-11/32"	5"
3552	3432	4-13/32"	1-1/16"	3"- 8 NPT	4-25/32"	5-7/16"
3556	3436	5-17/32"	1-3/16"	4"- 8 NPT	5-15/64"	6"

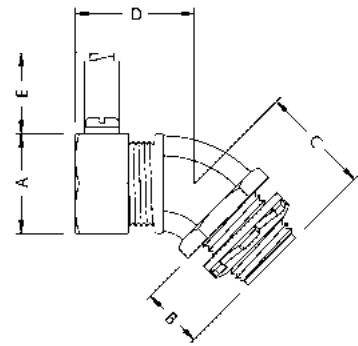
A = Nut Flats
 B = Thread length and thread spec.
 C = Thread to bend
 D = Nut to bend



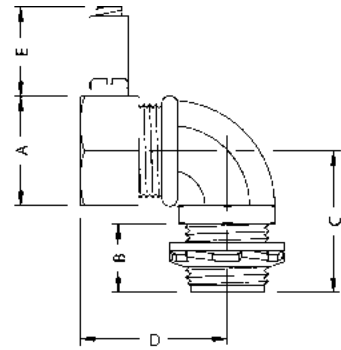
Straight Connectors with Ground Lug					
INSULATED CATALOG NO.	A	B	THREAD SPEC.	C	D
3511-3	1-1/16"	1/2"	1/2"-14 NPT	1-29/64"	25/32"
3512-3	1-3/16"	1/2"	1/2"-14 NPT	1-15/32"	25/32"
3513-3	1-13/32"	9/16"	3/4"-14 NPT	1-31/64"	25/32"
3514-3	1-45/64"	19/32"	1"-11-1/2 NPT	1-51/64"	25/32"
3515-3	2-3/16"	43/64"	1-1/4"-11-1/2 NPT	1-7/8"	25/32"
3516-3	2-13/32"	47/64"	1-1/2"-11-1/2 NPT	2-11/64"	25/32"
3518-3	3-1/32"	21/32"	2"-11-1/2 NPT	2-9/32"	25/32"
3520-3	3-5/8"	1"	2-1/2"- 8 NPT	3-5/16"	1-11/64"
3522-3	3-3/8"	1-3/64"	3"- 8 NPT	3-1/2"	1-11/64"
3524-3	3-31/32"	1-1/8"	3-1/2"- 8 NPT	3-5/8"	1-13/16"
3526-3	5-35/64"	1-5/32"	4"- 8 NPT	3-5/8"	1-13/16"

A = Nut Flats
 B = Thread length and thread spec.
 C = Overall length
 D = Lug height

LIQUIDTIGHT CONDUIT AND CORD CONNECTORS



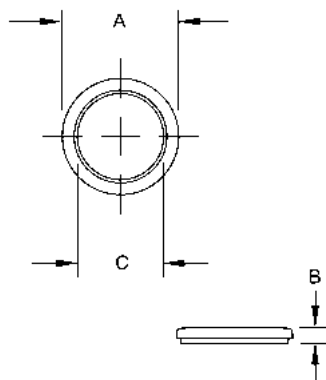
45° Insulated Connectors with Ground Lug						
INSULATED CATALOG NO.	A	B	THREAD SPEC.	C	D	E
3561-3	1-1/16"	17/32"	1/2"-14 NPT	1-3/8"	1-1/32"	25/32"
3562-3	1-3/16"	9/16"	1/2"-14 NPT	1-1/4"	1-1/16"	25/32"
3563-3	1-13/32"	19/32"	3/4"-14 NPT	1-21/32"	1-3/16"	25/32"
3564-4	1-45/64"	5/8"	1"-11-1/2 NPT	1-21/32"	1-13/32"	25/32"
3565-3	2-3/16"	23/32"	1-1/4"-11-1/2 NPT	1-13/16"	1-1/2"	25/32"
3566-3	2-3/8"	47/64"	1-1/2"-11-1/2 NPT	2"	1-9/16"	25/32"
3568-3	3-1/32"	49/64"	2"-11-1/2 NPT	2-3/8"	1-3/4"	25/32"



90° Insulated Connectors with Ground Lug						
INSULATED CATALOG NO.	A	B	THREAD SPEC.	C	D	E
3541-3	1-3/64"	35/64"	1/2"-14 NPT	1-3/8"	1-7/16"	25/32"
3542-3	1-11/64"	9/16"	1/2"-14 NPT	1-13/32"	1-5/8"	25/32"
3543-3	1-13/32"	37/64"	3/4"-14 NPT	1-5/8"	1-7/8"	25/32"
3544-3	1-45/64"	41/64"	1"-11-1/2 NPT	1-15/16"	2-1/8"	25/32"
3545-3	2-3/16"	21/32"	1-1/4"-11-1/2 NPT	2-1/64"	2-1/4"	25/32"
3546-3	2-13/32"	49/64"	1-1/2"-11-1/2 NPT	2-1/4"	2-5/8"	25/32"
3548-3	3-1/32"	3/4"	2"-11-1/2 NPT	2-15/32"	3"	25/32"
3550-3	3-45/64"	1-1/32"	2-1/2"- 8 NPT	3-11/32"	5"	1-11/64"
3552-3	4-13/32"	1-1/16"	3"- 8 NPT	4-25/32"	5-7/16"	1-11/64"
3556-3	5-17/32"	1-3/16"	4"- 8 NPT	5-15/64"	6"	1-13/64"

A = Nut Flats
 B = Thread length and thread spec.
 C = Thread to bend
 D = Nut to bend
 E = Lug height

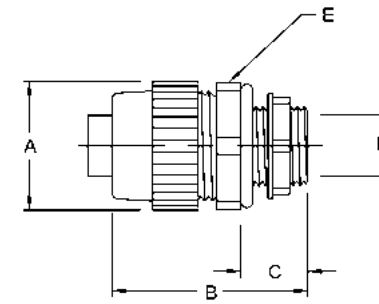
SEALING WASHERS



Sealing Washers - Steel			
CATALOG NUMBER	A	B	C
2452	1-5/64"	5/64"	51/64"
2452-8	1-5/64"	5/64"	51/64"
2453	1-11/32"	5/32"	1"
2453-8	1-11/32"	5/32"	1"
2454	1-5/8"	11/64"	1-1/4"
2454-8	1-5/8"	11/64"	1-1/4"
2455	2"	11/64"	1-39/64"
2456	2-23/64"	3/16"	1-27/32"
2458	2-53/64"	3/16"	2-5/16"

A = O.D.
 B = Thickness
 C = I.D.

LIQUIDTIGHT CONDUIT AND CORD CONNECTORS



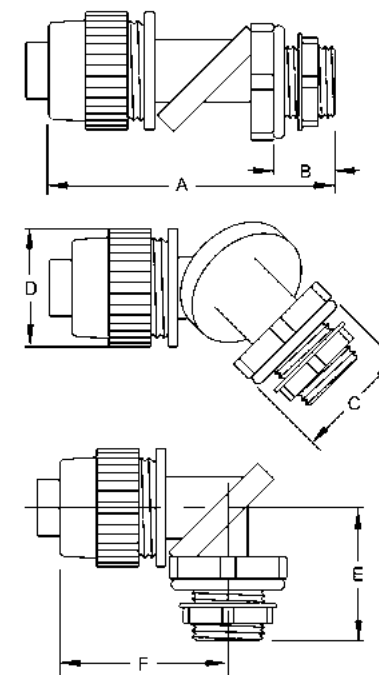
Straight Connectors - Nylon - For Type B Conduit						
CATALOG NUMBER	A	B	C	D	E	
					A/C*	A/F**
4721	1.14"	1.63"	.57"	.42"	1.41"	1.30"
4722	1.30"	2.14"	.57"	.55"	1.41"	1.30"
4722-8	1.30"	2.14"	.57"	.55"	1.41"	1.30"
4723	1.53"	2.22"	.58"	.74"	1.85"	1.53"
4723-8	1.53"	2.22"	.58"	.74"	1.85"	1.53"
4724	1.80"	2.32"	.72"	.96"	1.94"	1.80"
4724-8	1.80"	2.32"	.72"	.96"	1.94"	1.80"
4725	2.20"	2.15"	.74"	1.30"	2.38"	2.18"
4726	2.49"	2.35"	.76"	1.46"	2.63"	2.43"
4728	3.05"	2.51"	.79"	1.90"	3.13"	2.93"

Straight Connectors - Nylon - For Extra Flexible Tubing						
CATALOG NUMBER	A	B	C	D	E	
					A/C*	A/F**
4741	1.14"	1.63"	.57"	.42"	1.41"	1.30"
4742	1.30"	2.14"	.57"	.55"	1.41"	1.30"
4743	1.53"	2.22"	.58"	.74"	1.85"	1.53"
4744	1.80"	2.32"	.72"	.96"	1.94"	1.80"
4745	2.20"	2.15"	.74"	1.30"	2.38"	2.18"
4746	2.49"	2.35"	.76"	1.46"	2.63"	2.43"
4748	3.05"	2.51"	.79"	1.90"	3.13"	2.93"

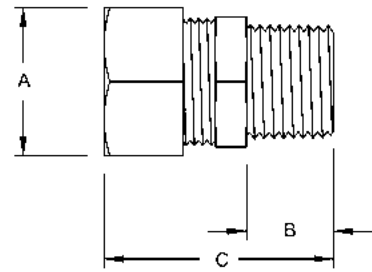
Multi Position Connectors - Nylon - For Extra Flexible Tubing							
CATALOG NUMBER	A	B	C		D	E	F
			A/C*	A/F**			
4731	3.27"	.57"	1.41"	1.30"	1.30"	1.43"	2.00"
4732	3.27"	.57"	1.41"	1.30"	1.30"	1.43"	2.00"
4732-8	3.27"	.57"	1.41"	1.30"	1.30"	1.43"	2.00"
4733	3.66"	.58"	1.65"	1.53"	1.53"	1.59"	2.23"
4733-8	3.66"	.58"	1.65"	1.53"	1.53"	1.59"	2.23"
4734	4.00"	.72"	1.94"	1.80"	1.80"	1.84"	2.30"
4734-8	4.00"	.72"	1.94"	1.80"	1.80"	1.84"	2.30"

Multi Position Connectors - Nylon for Extra Flexible Tubing							
CATALOG NUMBER	A	B	C		D	E	F
			A/C*	A/F**			
4751	3.27"	.57"	1.41"	1.30"	1.30"	1.43"	2.00"
4752	3.27"	.57"	1.41"	1.30"	1.30"	1.43"	2.00"
4753	3.66"	.58"	1.65"	1.53"	1.53"	1.59"	2.23"
4754	4.00"	.72"	1.94"	1.80"	1.80"	1.84"	2.30"

*A/C = Across corners
 **A/C = Across flats



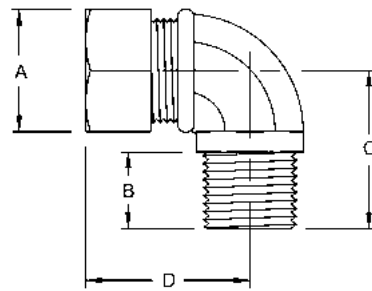
LIQUIDTIGHT CONDUIT AND CORD CONNECTORS



Straight Strain Relief Cord Connectors

HUB SIZE	FORM SIZE	A	B	THREAD SPEC.	C
1/2"	F1	1-1/16"	1/2"	1/2"-14 NPT	1-29/64"
1/2"	F2	1-3/16"	1/2"	1/2"-14 NPT	1-15/32"
3/4"	F3	1-13/32"	9/16"	3/4"-14 NPT	1-31/64"
1"	F4	1-45/64"	19/32"	1"-11-1/2 NPT	1-51/64"
1-1/4"	F5	2-3/16"	43/64"	1-1/4"-11-1/2 NPT	1-7/8"
1-1/2"	F6	2-13/32"	47/64"	1-1/2"-11-1/2 NPT	2-11/64"

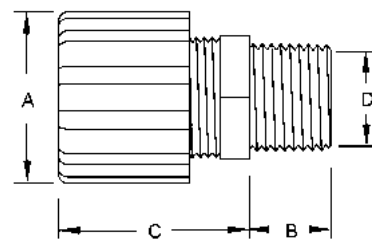
A = Nut Flats
 B = Thread length and thread spec.
 C = Overall Length



90° Strain Relief Cord Connectors

HUB SIZE	FORM SIZE	A	THREAD SPEC.	B	C	D
1/2"	F1	1-3/64"	1/2"-14 NPT	35/64"	1-3/8"	1-7/16"
1/2"	F2	1-11/64"	1/2"-14 NPT	9/16"	1-13/32"	1-5/8"
3/4"	F3	1-13/32"	3/4"-14 NPT	37/64"	1-5/8"	1-7/8"

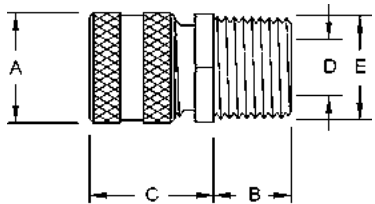
A = Nut Flats
 B = Thread length and thread spec.
 C = Thread to bend
 D = Nut to bend



Strain Relief Cord Connectors - Nylon

HUB SIZE	FORM SIZE	A	B	C	D
1/4"	F1	63/64"	7/16"	1-3/32"	21/64"
3/8"	F1	63/64"	7/16"	1-3/32"	7/16"
1/2"	F2	1-1/4"	17/32"	1-1/2"	37/64"
3/4"	F3	1-31/64"	35/64"	1-5/8"	49/64"
1"	F4	1-27/32"	11/16"	1-3/4"	1-1/64"

A = Nut O.D.
 B = Thread length
 C = Length to shoulder
 D = Throat I.D.

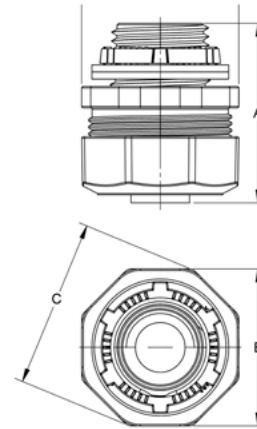


Straight Strain Relief Cord Connectors - Aluminum

HUB SIZE	FORM SIZE	A DIA.	B REF.	C	D	E	
						A/C*	A/F**
1/2"	F1	.88"	.46"	.90"	.44"	1.00"	.88"
1/2"	F2	1.13"	.55"	1.10"	.64"	1.11"	1.00"
1/2"	F3	1.38"	.55"	1.50"	.64"	1.40"	1.25"
3/4"	F2	1.13"	.55"	1.10"	.64"	1.29"	1.13"
3/4"	F3	1.38"	.55"	1.50"	.82"	1.40"	1.25"
1"	F4	1.75"	.71"	1.60"	1.02"	1.81"	1.62"

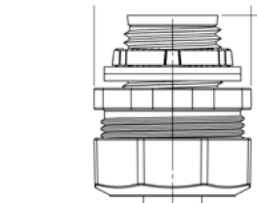
*A/C = Across corners A = Nut O.D. D = Throat I.D.
 **A/C = Across flats B = Thread length E = Hex
 C = Length to shoulder

DIE-CAST ZINC LIQUIDTIGHT CONNECTORS



Straight Connector, Insulated

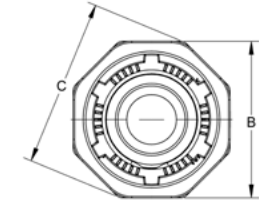
CATALOG NUMBER	SIZE	A	B	THREAD SPEC.	C	D
3401DC	3/8"	1.47"	1.28"	1/2" - 14 NPT	1.37"	0.61"
3402DC	1/2"	1.40"	1.29"	1/2" - 14 NPT	1.38"	0.61"
3403DC	3/4"	1.43"	1.58"	3/4" - 14 NPT	1.69"	0.82"
3404DC	1"	1.87"	1.84"	1"-11-1/2 NPT	1.94"	1"
3405DC	1-1/4"	1.88"	2.27"	1 1/4" - 11 1/2 NPT	2.42"	1.36"
3406DC	1-1/2"	1.97"	2.48"	1 1/2" - 11 1/2 NPT	2.64"	1.60"
3408DC	2"	1.95"	3.01"	2" - 11 1/2 NPT	3.25"	2.07"



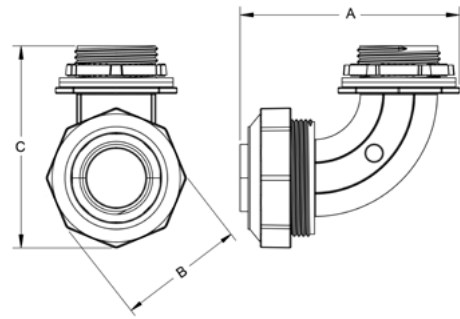
Straight Connector, Uninsulated

CATALOG NUMBER	SIZE	A	B	THREAD SPEC.	C	D
3511DC	3/8"	1.55"	1.28"	1/2" - 14 NPT	1.37"	0.41"
3512DC	1/2"	1.49"	1.29"	1/2" - 14 NPT	1.38"	0.54"
3513DC	3/4"	1.52"	1.58"	3/4" - 14 NPT	1.69"	0.71"
3514DC	1"	1.95"	1.84"	1" - 11-1/2 NPT	1.94"	0.94"
3515DC	1-1/4"	1.95"	2.27"	1 1/4" - 11-1/2 NPT	2.42"	1.26"
3516DC	1-1/2"	2.05"	2.48"	1 1/2" - 11-1/2 NPT	2.64"	1.41"
3518DC	2"	2.04"	3.01"	2" - 11-1/2 NPT	3.25"	1.89"
3520DC	2-1/2"	3.43"	3.78"	2 1/2" - 8 NPT	4.13"	2.32"
3522DC	3"	3.43"	4.35"	3" - 8 NPT	4.90"	2.95"
3524DC	3-1/2"	4.08"	4.85"	3 1/2" - 8 NPT	5.49"	3.32"
3526DC	4"	4.05"	5.25"	4" - 8 NPT	5.94"	3.82"

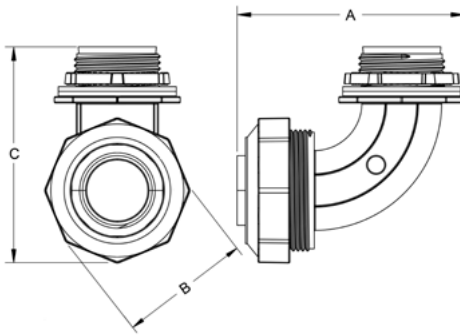
A = Overall length C = Max. width
 B = Clamping range D = Throat I.D.



DIE-CAST ZINC LIQUIDTIGHT CONNECTORS



90° Insulated						
CATALOG NUMBER	SIZE	A	B	THREAD SPEC.	C	D
3421DC	3/8"	2.27"	1.37"	1/2" - 14 NPT	2.27"	0.41
3422DC	1/2"	2.27"	1.38"	1/2" - 14 NPT	2.27"	0.54
3423DC	3/4"	2.44"	1.69"	3/4" - 14 NPT	2.44"	0.71
3424DC	1"	3.37"	1.95"	1" - 11 1/2 NPT	3.37"	0.95
3425DC	1-1/4"	3.57"	2.42"	1 1/4" - 11 1/2 NPT	3.57"	1.27
3426DC	1-1/2"	3.74"	2.63"	1 1/2" - 11 1/2 NPT	3.74"	1.41
3428DC	2"	4.41"	3.25"	2" - 11 1/2 NPT	4.41"	1.90

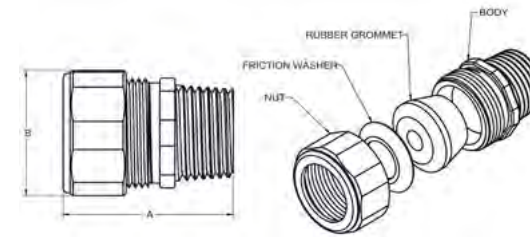


90° Uninsulated						
CATALOG NUMBER	SIZE	A	B	THREAD SPEC.	C	D
3541DC	3/8"	2.27"	1.28"	1/2" - 14 NPT	2.27"	0.41
3542DC	1/2"	2.27"	1.29"	1/2" - 14 NPT	2.27"	0.54
3543DC	3/4"	2.44"	1.58"	3/4" - 14 NPT	2.44"	0.71
3544DC	1"	3.37"	1.84"	1" - 11 1/2 NPT	3.37"	0.95
3545DC	1-1/4"	3.57"	2.27"	1 1/4" - 11 1/2 NPT	3.57"	1.27
3546DC	1-1/2"	3.74"	2.48"	1 1/2" - 11 1/2 NPT	3.74"	1.41
3548DC	2"	4.41"	3.02"	2" - 11 1/2 NPT	4.41"	1.90
3550DC	2-1/2"	6.39"	3.78"	2 1/2" - 8 NPT	5.68"	2.32
3552DC	3"	7.13"	4.35"	3" - 8 NPT	6.48"	2.95
3554DC	3-1/2"	8.49"	4.85"	3 1/2" - 8 NPT	7.16"	3.33
3556DC	4"	8.85"	5.25"	4" - 8 NPT	7.90"	3.82

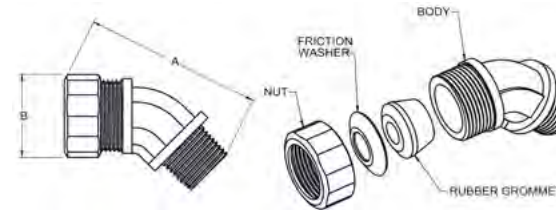
A = Overall length
B = Clamping range

C = Overall height
D = Throat I.D.

COLOR-CODED CORD GRIP CONNECTORS

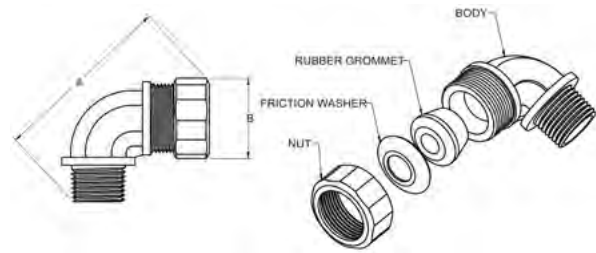


Straight Connectors					
CATALOG NUMBER	TRADE SIZE	COLOR CODE	CABLE RANGE (IN.)	DIM A	DIM B
3722-0	1/2"	Red	.150-.250	1.44	1.13
3722-1	1/2"	White	.250-.350	1.44	1.13
3722-2	1/2"	Blue	.350-.450	1.44	1.13
3722-3	1/2"	Green	.450-.560	1.44	1.13
3722-4	1/2"	Brown	.550-.650	1.44	1.13
3723-0	3/4"	Red	.150-.250	1.5	1.25
3723-1	3/4"	White	.250-.350	1.5	1.25
3723-2	3/4"	Blue	.350-.450	1.5	1.25
3723-3	3/4"	Green	.450-.560	1.5	1.25
3723-4	3/4"	Brown	.550-.650	1.5	1.25
3723-6	3/4"	Yellow	.750-.850	1.69	1.31
3723-5	3/4"	Purple	.650-.750	1.69	1.31
3724-0	1"	Green	.450-.560	1.75	1.5
3724-1	1"	Brown	.550-.650	1.75	1.5
3724-5	1"	Yellow	.750-.850	1.75	1.5
3724-2	1"	Purple	.850-.950	1.94	1.63
3724-3	1"	Gray	.950-1.050	1.94	1.63
3724-4	1"	Black	.650-.750	1.75	1.5
3725-0	1-1/4"	Purple	.750-.850	1.94	1.88
3725-1	1-1/4"	Gray	.850-.950	1.94	1.88
3725-2	1-1/4"	Black	.950-1.050	2.06	2
3725-4	1-1/4"	Orange	1.250-1.375	2.06	2
3725-5	1-1/4"	Red	1.050-1.150	2.06	2
3725-3	1-1/4"	White	1.150-1.250	2.06	2
3726-0	1-1/2"	Black	.950-1.050	2.13	2.25
3726-1	1-1/2"	Orange	1.050-1.150	2.13	2.25
3726-2	1-1/2"	Red	1.150-1.250	2.13	2.25
3726-3	1-1/2"	White	1.250-1.375	2.13	2.25

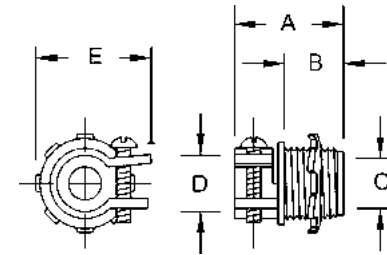


45° Connectors					
CATALOG NUMBER	TRADE SIZE	COLOR CODE	CABLE RANGE (IN.)	DIM A	DIM B
3745-0	1/2"	RED	.150-.250	2.56	1.25
3745-1	1/2"	WHITE	.250-.350	2.56	1.25
3745-2	1/2"	BLUE	.350-.450	2.56	1.25
3745-3	1/2"	GREEN	.450-.560	2.56	1.25
3745-4	1/2"	BROWN	.550-.650	2.56	1.25
3746-0	3/4"	RED	.150-.250	2.88	1.44
3746-1	3/4"	WHITE	.250-.350	2.88	1.44
3746-2	3/4"	BLUE	.350-.450	2.88	1.44
3746-3	3/4"	GREEN	.450-.560	2.88	1.44
3746-4	3/4"	BROWN	.550-.650	2.88	1.44
3746-5	3/4"	YELLOW	.650-.750	2.88	1.44
3746-6	3/4"	PURPLE	.750-.850	2.88	1.44
3747-0	1"	GREEN	.450-.560	3.13	1.75
3747-1	1"	BROWN	.550-.650	3.13	1.75
3747-2	1"	YELLOW	.650-.750	3.13	1.75
3747-3	1"	PURPLE	.750-.850	3.13	1.75
3747-4	1"	GRAY	.850-.950	3.94	1.75
3747-5	1"	BLACK	.950-1.050	3.94	1.75

COLOR-CODED CORD GRIP CONNECTORS



90° Connectors					
CATALOG NUMBER	TRADE SIZE	COLOR CODE	CABLE RANGE (IN.)	DIM A	DIM B
3794-0	1/2"	RED	.150-.250	2.75	1.25
3794-1	1/2"	WHITE	.250-.350	2.75	1.25
3794-2	1/2"	BLUE	.350-.450	2.75	1.25
3794-3	1/2"	GREEN	.450-.560	2.75	1.25
3794-4	1/2"	BROWN	.550-.650	2.75	1.25
3795-0	3/4"	RED	.150-.250	3.25	1.44
3795-1	3/4"	WHITE	.250-.350	3.25	1.44
3795-2	3/4"	BLUE	.350-.450	3.25	1.44
3795-3	3/4"	GREEN	.450-.560	3.25	1.44
3795-4	3/4"	BROWN	.550-.650	3.25	1.44
3795-5	3/4"	YELLOW	.650-.750	3.25	1.44
3795-6	3/4"	PURPLE	.750-.850	3.25	1.44
3796-0	1"	GREEN	.450-.560	3.75	1.75
3796-1	1"	BROWN	.550-.650	3.75	1.75
3796-2	1"	YELLOW	.650-.750	3.75	1.75
3796-3	1"	PURPLE	.750-.850	3.75	1.75
3796-4	1"	GRAY	.850-.950	3.88	1.75
3796-5	1"	BLACK	.950-1.050	3.88	1.75



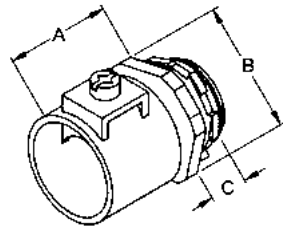
FLEXIBLE METAL CONDUIT FITTINGS

Straight Squeeze Connector, Insulated						
CATALOG NUMBER	A	B	THREAD SPEC.	C	D	E
3301	1-1/16"	13/32"	1/2"-14 NPS	.345	.528 - .640	1-23/64"
3302	1-23/64"	17/32"	1/2"-14 NPS	.590	.855 - .910	1-5/8"
3302-8	1-23/64"	17/32"	1/2"-14 NPS	.590	.855 - .910	1-5/8"
3303	1-15/32"	31/64"	3/4"-14 NPS	.763	1.043 - 1.122	1-15/16"
3303-8	1-15/32"	31/64"	3/4"-14 NPS	.763	1.043 - 1.122	1-15/16"
3304	1-11/16"	33/64"	1"-11-1/2 NPT	.935	1.364 - 1.408	2-25/64"
3304-8	1-11/16"	33/64"	1"-11-1/2 NPT	.935	1.364 - 1.408	2-25/64"
3305	1-51/64"	33/64"	1-1/4"-11-1/2 NPT	1.190	1.670 MAX.	2-9/16"
3306	2-15/32"	43/64"	1-1/2"-11-1/2 NPT	1.450	1.970 MAX.	2-27/32"
3308	2-3/4"	45/64"	2"-11-1/2 NPT	1.930	2.450 MAX.	3-11/32"
3310	3"	1-3/64"	2-1/2"- 8 NPS	2.358	3.080 MAX	4-5/32"
3312	3-15/64"	1-5/64"	3"- 8 NPS	2.290	3.645 MAX	5"
3314	5-13/64"	1-21/64"	3-1/2"- 8 NPS	3.425	4.060 MAX	6-5/8"
3316	5-23/32"	1-39/64"	4"- 8 NPS	3.915	4.560 MAX	7-15/64"

Straight Squeeze Connector, Uninsulated						
CATALOG NUMBER	A	B	THREAD SPEC.	C	D	E
2101	1-1/16"	13/32"	1/2"-14 NPS	.345	.528 - .640	1-23/64"
2102	1-33/64"	17/32"	1/2"-14 NPS	.590	.855 - .910	1-5/8"
2102-8	1-33/64"	17/32"	1/2"-14 NPS	.590	.855 - .910	1-5/8"
2103	1-15/32"	31/64"	3/4"-14 NPS	.763	1.043 - 1.122	1-15/16"
2103-8	1-15/32"	31/64"	3/4"-14 NPS	.763	1.043 - 1.122	1-15/16"
2104	1-11/16"	33/64"	1"-11-1/2 NPT	.935	1.364 - 1.408	2-25/64"
2104-8	1-11/16"	33/64"	1"-11-1/2 NPT	.935	1.364 - 1.408	2-25/64"
2105	1-51/64"	33/64"	1-1/4"-11-1/2 NPT	1.190	1.670 MAX.	2-9/16"
2106	2-15/32"	43/64"	1-1/2"-11-1/2 NPT	1.450	1.970 MAX.	2-27/32"
2108	2-3/4"	45/64"	2"-11-1/2 NPT	1.930	2.450 MAX.	3-11/32"
2110	3"	1-3/64"	2-1/2"- 8 NPS	2.358	3.080 MAX	4-5/32"
2112	3-15/64"	1-5/64"	3"- 8 NPS	2.290	3.645 MAX	5"
2114	5-1/64"	1-21/64"	3-1/2"- 8 NPS	3.425	4.060 MAX	6-5/8"
2116	5-23/64"	1-39/64"	4"- 8 NPS	3.915	4.560 MAX	7-15/64"

A = Overall length
 B = Thread length and thread spec
 C = Throat I.D.
 D = Clamping range
 E = Maximum width body

FLEXIBLE METAL CONDUIT FITTINGS



Straight DOUBLE BITE Saddle Connectors

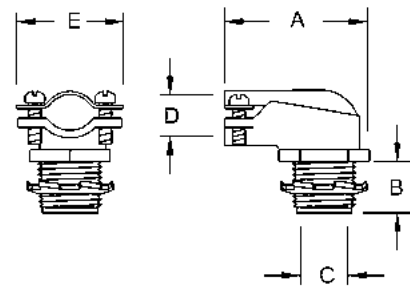
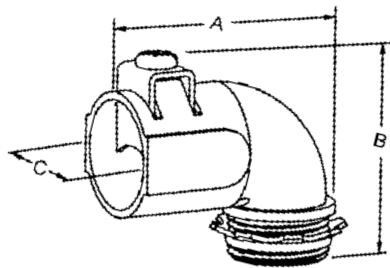
CATALOG NUMBER	A	B	C
3301DB	1-3/16"	1-1/4"	1/2"
3302DB	1-3/8"	1-1/4"	7/16"
3303DB	1-3/8"	1-7/16"	7/16"
3304DB	1-9/16"	1-13/16"	1/2"
3305DB	2-3/16"	2-1/8"	5/8"
3306DB	2-7/16"	2-1/2"	5/8"
3308DB	2-9/16"	3"	5/8"
3310DB	2-11/16"	3-5/8"	13/16"
3312DB	2-13/16"	4-1/4"	15/16"
3314DB	2-15/16"	4-3/4"	1"
3316DB	3"	5-3/16"	1-1/16"

A = Overall length
B = O.D. body
C = Thread length

90° DOUBLE BITE Saddle Connectors

CATALOG NUMBER	A	B	C
3201DB	1-3/4"	2-1/16"	1"
3202DB	2-1/8"	2-1/4"	1-1/4"
3203DB	2-1/2"	2-1/2"	1-3/8"
3204DB	2-13/16"	2-7/8"	1-11/16"

A = Throat length
B = Overall height
C = Throat I.D.

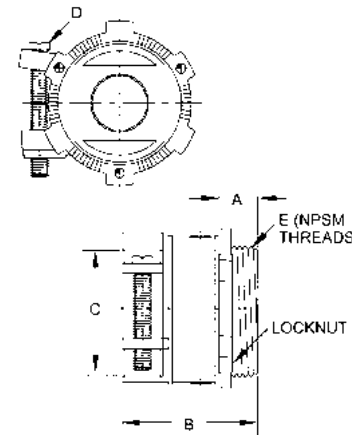


90° Squeeze Connectors

INSULATED CATALOG NO.	UNINSULATED CATALOG NO.	A	B	THREAD SPEC	C	D	E
3201	2201	2-1/64"	23/64"	1/2"-14 NPS	.570"	.390-.630"	1-3/8"
3202	2202	2-15/64"	27/64"	1/2"-14 NPS	.570"	.817-.950"	1-51/64"
3202-8	2202-8	2-15/64"	27/64"	1/2"-14 NPS	.570"	.817-.950"	1-51/64"
3203	2203	2-1/2"	1/2"	3/4"-14 NPS	.822"	.830-1.110"	1-31/32"
3203-8	2203-8	2-1/2"	1/2"	3/4"-14 NPS	.822"	.830-1.110"	1-31/32"
3204	2204	2-27/32"	33/64"	1"-11-1/2 NPS	.950"	1.295" MAX	2-11/32"
—	2204-8	2-27/32"	33/64"	1"-11-1/2 NPS	.950"	1.295" MAX	2-11/32"
3205	2205	4-13/64"	43/64"	1-1/4"-11-1/2 NPS	1.210"	1.535" MAX	2-55/64"
3206	2206	4-57/64"	19/32"	1-1/2"-11-1/2 NPS	1.450"	1.890" MAX	3-3/32"
3208	2208	6-35/64"	51/64"	2"-11-1/2 NPS	1.883"	2.415" MAX	3-51/64"
3210	2210	7-9/16"	1-7/64"	2-1/2"- 8 NPS	2.300"	2.515" MAX	4-21/64"
3212	2212	8-31/32"	1-3/64"	3"- 8 NPS	2.940"	3.025" MAX	5-1/16"
3214	2214	11-15/64"	1-17/64"	3-1/2"- 8 NPS	3.440"	3.700" MAX	6-51/64"
3216	2216	12-11/32"	1-9/16"	4"- 8 NPS	3.935"	4.050" MAX	7-17/64"

A = Overall length
B = Thread length and thread spec
C = Throat I.D.
D = Clamping range
E = Maximum width body

FLEXIBLE METAL CONDUIT FITTINGS



Straight Squeeze Connectors, Uninsulated

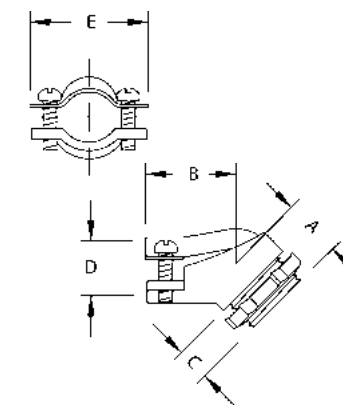
CATALOG NUMBER	A	B	C	D	E
2191	13/32"	1"	21/32"	NO. 10x1.00	1/2"-14 NPSM
2192	1/2"	1-1/2"	63/64"	NO. 10x1.00	1/2"-14 NPSM
2193	1/2"	1-19/32"	1-3/16"	NO. 12x1.00	3/4"-14 NPSM
2194	9/16"	1-49/64"	1-29/64"	NO. 12x1.25	1"-11-1/2 NPSM
2195RAC	43/64"	1-31/32"	1-47/64"	NO. 12x1.25	1-1/4"-11-1/2 NPSM
2196RAC	19/32"	2"	2"	NO. 12x1.25	1-1/2"-11-1/2 NPSM
2198	19/32"	2-7/64"	2-35/64"	1/4-20x1.50	2"-11-1/2 NPSM

A = Thread length
B = Overall length
C = Conduit opening
D = Screw spec
E = Thread spec

45° Squeeze Connectors, Uninsulated

CATALOG NUMBER	A	B	C	THREAD SPEC.	D	E
2221	5/8"	1-3/16"	1/2"	1/2" - 14	7/16" - 5/8"	1-3/8"
2222	1-3/16"	2"	1/2"	1/2" - 14	25-32" - 29/32"	1-3/8"

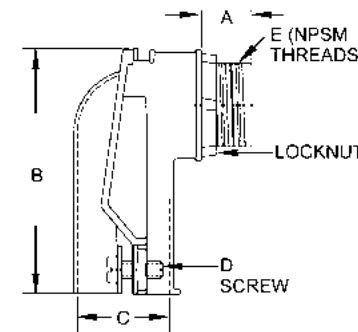
A = Length to end of fitting
B = Length to bend
C = Thread length and thread spec
D = Clamping range
E = Maximum width body



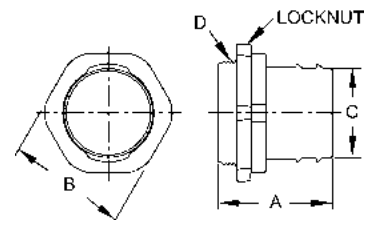
90° Squeeze Connectors, Uninsulated

CATALOG NUMBER	A	B	C		D	E
			MIN.	MAX.		
2691	25/64"	1-25/32"	29/64"	25/32"	NO. 8 x 1/2"	1/2"-14 NPSM
2692	7/16"	2-1/8"	45/64"	1-5/32"	NO. 8 x 5/8"	1/2"-14 NPSM
2693	7/16"	2-3/32"	63/64"	1-13/32"	NO. 8 x 5/8"	3/4"-14 NPSM
2694	17/32"	2-27/32"	1-7/64"	1-53/64"	NO. 12 x 1"	1"-11-1/2 NPSM
2695	19/32"	3-15/16"	1-3/8"	2-1/16"	NO. 12 x 1"	1-1/4"-11-1/2 NPSM
2696	45/64"	6-1/16"	1-27/32"	2-1/16"	NO. 1/4-20 x 1-1/2"	1-1/2"-11-1/2 NPSM
2698	45/64"	6-1/4"	1-27/32"	2-1/16"	NO. 1/4-20 x 1-1/2"	2"-11-1/2 NPSM

A = Thread length
B = Overall length
C = Clamping range
D = Screw
E = Thread spec

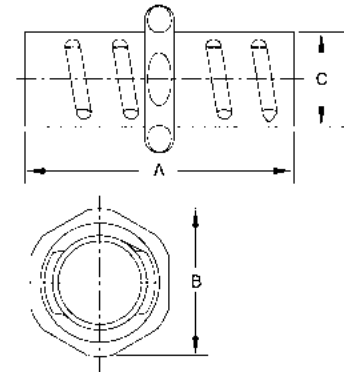


FLEXIBLE METAL CONDUIT FITTINGS



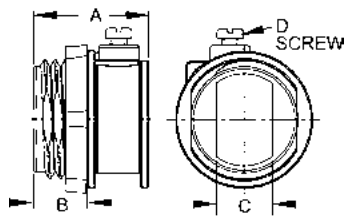
Screw-in Type Connectors - Uninsulated				
CATALOG NUMBER	A	B	C	D THREAD SPEC.
2281	1-19/64"	59/64"	3/8"	1/2"-14 NPSM
2282	1-3/8"	59/64"	5/8"	1/2"-14 NPSM
2283	1-5/8"	1-1/8"	53/64"	3/4"-14 NPSM

A = Overall length
 B = Dia. across flats
 C = Body Dia.
 D = Thread spec



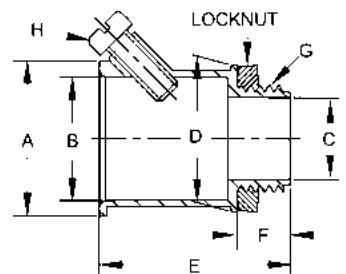
Screw-in Type Couplings			
CATALOG NUMBER	A	B	C
2272	1-51/64"	31/32"	5/8"
2273	2-7/64"	1-7/32"	53/64"

A = Overall length
 B = Dia. across corners
 C = Body Dia.



Set Screw Connector					
CATALOG NUMBER	A	B	THREAD SPEC.	C	D
2511	25/32"	3/8"	1/2-14 NPSM	3/8"	10-24 x 1/2"

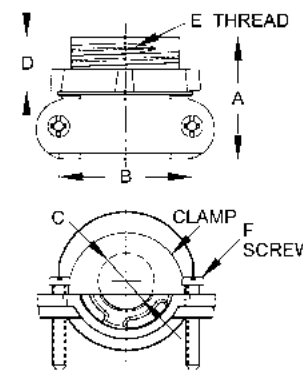
A = Overall length
 B = Thread length
 C = Throat Dia.
 D = Screw Size



Set Screw Connector								
CATALOG NUMBER	A	B	C	D	E	F	G	H
2632	1-3/16"	61/64"	39/64"	1-1/8"	1-1/2"	3/64"	1/2-14 NPSM	10-24 x 1/2"

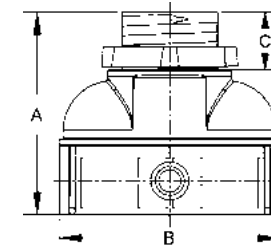
A = Body O.D.
 B = Body I.D.
 C = Throat I.D.
 D = Hub Dia.
 E = Overall length
 F = Thread length
 G = Thread spec
 H = Screw size and length

FLEXIBLE METAL CONDUIT FITTINGS



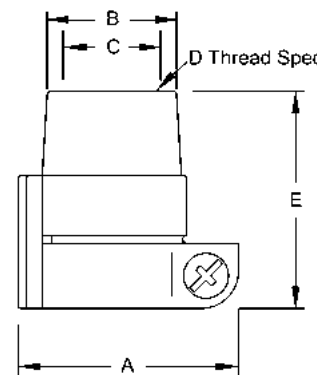
Clamp Type Connector						
CATALOG NUMBER	A	B	C	THREAD SPEC.	D	E
2661	27/32"	7/8"	23/64"	3/8"	1/2-14 NPSM	8-32 x 3/4"

A = Length
 B = Screw centerlines
 C = Clamping range
 D = Thread length
 E = Thread spec.
 F = Screw



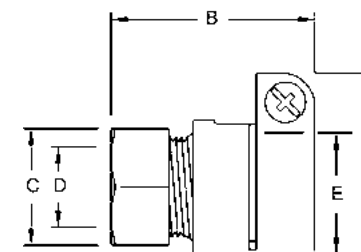
Duplex Connector			
CATALOG NUMBER	A	B	C
2611	1-1/2"	1-21/32"	7/16"

A = Overall length
 B = Width
 C = Thread length



Flex to Rigid Couplings					
CATALOG NUMBER	A	B	C	D THREAD SPEC.	E
1552	1-43/64"	1-13/64"	31/32"	1/2"- 14 NPT	1-1/2"
1553	1-3/4"	1-23/64"	1-1/8"	3/4"- 14 NPT	1-3/4"
1554	2-5/16"	1-21/32"	1-13/34"	1"- 11-1/2 NPT	1-53/64"

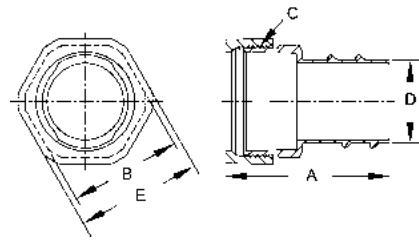
A = Width across flex side
 B = Hub O.D.
 C = Hub I.D.
 D = Thread spec. hub
 E = Overall length



Flex EMT Squeeze Couplings					
CATALOG NUMBER	A	B	C	D	E
1941	1-1/4"	1-5/16"	1-7/64"	23/32"	17/32"-5/8"
1942	1-1/2"	1-3/4"	1-7/64"	23/32"	13/16"-15/16"
1942-8	1-1/2"	1-3/4"	1-7/64"	23/32"	13/16"-15/16"
1943	1-3/4"	1-53/64"	1-3/8"	15/16"	1-1/32"-1-1/8"
1943-8	1-3/4"	1-53/64"	1-3/8"	15/16"	1-1/32"-1-1/8"

A = Width across flex side
 B = Overall length
 C = Nut O.D.
 D = Nut I.D.
 E = Clamping range (flex side)

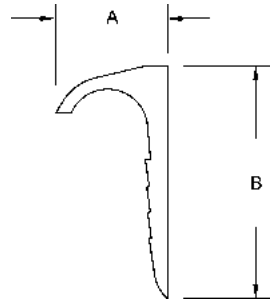
FLEXIBLE METAL CONDUIT FITTINGS



Flex EMT Couplings Screw-In/Compression

CATALOG NUMBER	A	B	C THREAD SPEC.	D	E
1482	1-21/32"	59/64"	7/8"-18 UNS	5/8"	31/32"
1483	1-51/64"	1-1/8"	1-5/64"-18 UNS	13/16"	1-7/32"
1484	1-63/64"	1-23/64"	1-23/64"-18 UNS	1"	1-33/64"

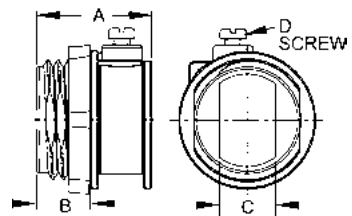
A = Overall length
 B = Body across flat
 C = Thread spec
 D = Throat I.D.
 E = Nut across flat



Nail-up Straps Stamped

CATALOG NUMBER	A	B
2252	1-1/16"	2-3/16"
2253	1-1/4"	2-19/64"
2254	1-1/2"	2-13/32"

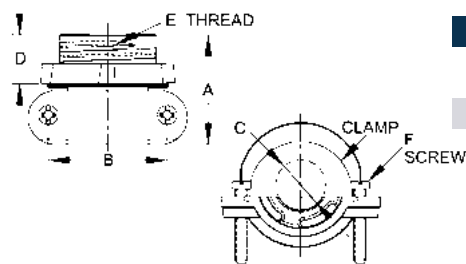
ARMORED CABLE CONNECTORS



Set Screw Connector

CATALOG NUMBER	A	B	THREAD SPEC.	C	D
2511	25/32"	3/8"	1/2-14 NPSM	3/8"	10-24 x 1/2"

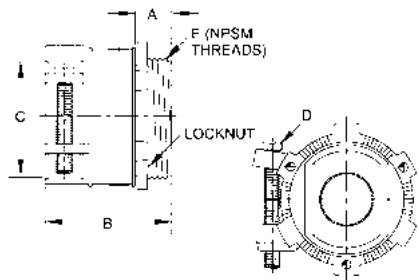
A = Overall length
 B = Thread length
 C = Throat Dia.
 D = Screw Size



Clamp Type Connector

CATALOG NUMBER	A	B	C	THREAD SPEC.	D	E
2661	27/32"	7/8"	23/64"	3/8"	1/2-14 NPSM	8-32 x 3/4"

A = Length
 B = Screw centerlines
 C = Clamping range
 D = Thread length
 E = Thread spec.
 F = Screw

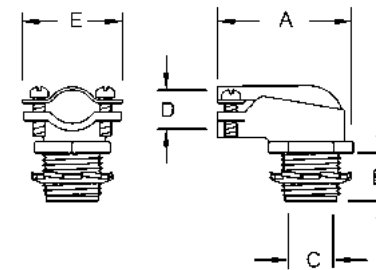


Squeeze Type Connectors, Uninsulated

CATALOG NUMBER	A	B	C	D	E
2191	13/32"	1"	21/32"	NO. 10x1.00	1/2"-14 NPSM
2192	1/2"	1-1/2"	63/64"	NO. 10x1.00	1/2"-14 NPSM
2193	1/2"	1-19/32"	1-3/16"	NO. 12x1.00	3/4"-14 NPSM
2194	9/16"	1-49/64"	1-29/64"	NO. 12x1.25	1"-11-1/2 NPSM

A = Thread length
 B = Overall length
 C = Conduit opening
 D = Screw spec
 E = Thread spec

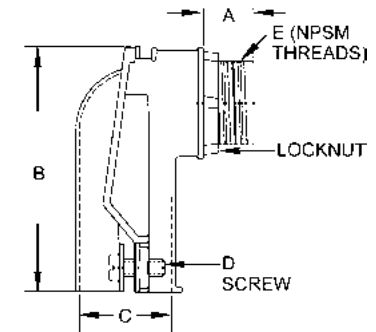
ARMORED CABLE CONNECTORS



90° Squeeze Connectors

INSULATED CATALOG NO.	UNINSULATED CATALOG NO.	A	B	THREAD SPEC	C	D	E
3201	2201	2-1/64"	23/64"	1/2"-14 NPS	.570"	.390-.630"	1-3/8"
3202	2202	2-15/64"	27/64"	1/2"-14 NPS	.570"	.817-.950"	1-51/64"
3202-8	2202-8	2-15/64"	27/64"	1/2"-14 NPS	.570"	.817-.950"	1-51/64"
3203	2203	2-1/2"	1/2"	3/4"-14 NPS	.822"	.830-1.110"	1-31/32"
3203-8	2203-8	2-1/2"	1/2"	3/4"-14 NPS	.822"	.830-1.110"	1-31/32"

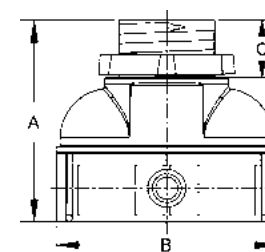
A = Overall length
 B = Thread length and thread spec
 C = Throat I.D.
 D = Clamping range
 E = Maximum width body



90° Squeeze Connectors, Uninsulated

CATALOG NUMBER	A	B	C		D	E
			MIN.	MAX.		
2691	25/64"	1-25/32"	29/64"	25/32"	NO. 8 x 1/2"	1/2"-14 NPSM
2692	7/16"	2-1/8"	45/64"	1-5/32"	NO. 8 x 5/8"	1/2"-14 NPSM
2693	7/16"	2-3/32"	63/64"	1-13/32"	NO. 8 x 5/8"	3/4"-14 NPSM

A = Thread length
 B = Overall length
 C = Clamping range
 D = Screw
 E = Thread spec

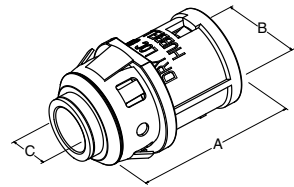


Duplex Connector

CATALOG NUMBER	A	B	C
2611	1-1/2"	1-21/32"	7/16"

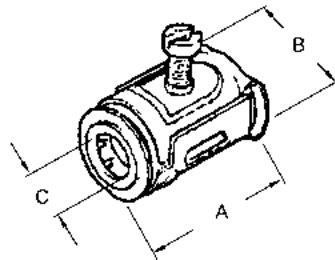
A = Overall length
 B = Width
 C = Thread length

METAL CLAD CABLE CONNECTORS



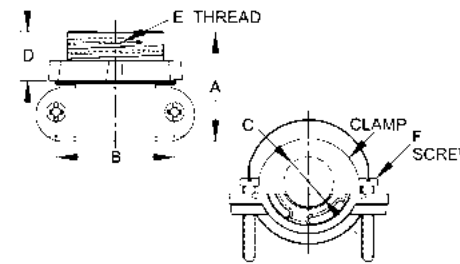
Push-in Connectors			
CATALOG NUMBER	A	B	C
38RAC	1-7/16"	27/32"	13/32"
40RAC	1-7/16"	27/32"	13/32"

A = Overall length
B = Body O.D.
C = Throat I.D.



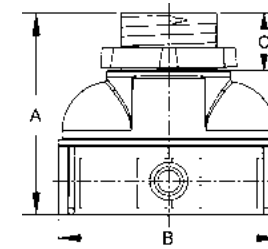
Screw Type Cable Connectors			
CATALOG NUMBER	A	B	C
2800	1-7/16"	7/8"	7/16"
2801	1-11/16"	1-5/16"	9/16"

A = Overall length
B = Body O.D.
C = Throat I.D.



Clamp Type Cable Connector						
CATALOG NUMBER	A	B	C	THREAD SPEC.	D	E
2661	27/32"	7/8"	23/64"	3/8"	1/2-14 NPSM	8-32 x 3/4"

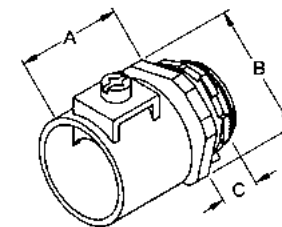
A = Length
B = Screw centerlines
C = Clamping range
D = Thread length
E = Thread spec.
F = Screw



Duplex Connector			
CATALOG NUMBER	A	B	C
2611	1-1/2"	1-21/32"	7/16"

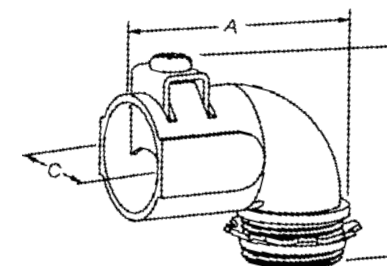
A = Overall length
B = Width
C = Thread length

DOUBLE BITE SADDLE CONNECTORS



Straight Saddle Connectors			
CATALOG NUMBER	A	B	C
3301DB	1-3/16"	1-1/4"	1/2"
3302DB	1-3/8"	1-1/4"	7/16"
3303DB	1-3/8"	1-7/16"	7/16"
3304DB	1-9/16"	1-13/16"	1/2"
3305DB	2-3/16"	2-1/8"	5/8"
3306DB	2-7/16"	2-1/2"	5/8"
3308DB	2-9/16"	3"	5/8"
3310DB	2-11/16"	3-5/8"	13/16"
3312DB	2-13/16"	4-1/4"	15/16"
3314DB	2-15/16"	4-3/4"	1"
3316DB	3"	5-3/16"	1-1/16"

A = Overall length
B = O.D. body
C = Thread length

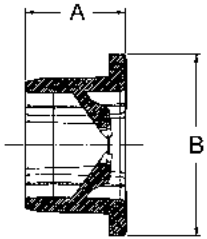


90° Saddle Connectors			
CATALOG NUMBER	A	B	C
3201DB	1-3/4"	2-1/16"	1"
3202DB	2-1/8"	2-1/4"	1-1/4"
3203DB	2-1/2"	2-1/2"	1-3/8"
3204DB	2-13/16"	2-7/8"	1-11/16"

A = Throat length
B = Overall height
C = Throat I.D.

NONMETALLIC SHEATHED CABLE CONNECTORS & ACCESSORIES

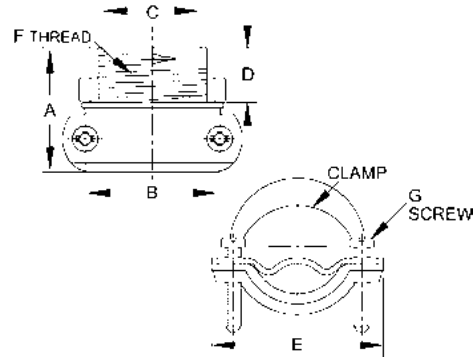
SERVICE ENTRANCE FITTINGS



Nonmetallic Sheathed Cable Connector

CATALOG NUMBER	A	B
4714	5/8"	1-9/64"

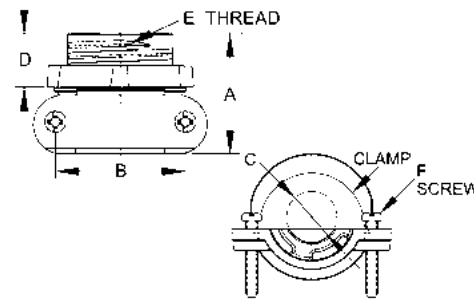
A = Overall length
B = Flange O.D.



Clamp Type Cable Connectors

CATALOG NUMBER	A	B	C	D	E	F	G
2711	13/16"	7/8"	5/8"	23/64"	1-11/64"	1/2"-1/4 NPSM	NO. 8-32 x 3/4"
2863	15/16"	1-3/16"	27/32"	27/64"	1-21/32"	3/4"-1/4 NPSM	NO.10-24 x 1"
2864	1-7/64"	1-7/16"	1-3/64"	33/64"	1-15/16"	1"-11-1/2 NPSM	NO.10-24 x 1"

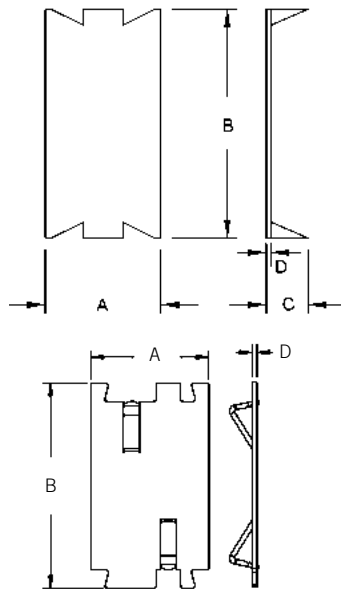
A = Length
B = Screw centerlines
C = Throat I.D.
D = Thread length
E = Max. body width
F = Thread spec.
G = Screw



Clamp Type Cable Connector

CATALOG NUMBER	A	B	C	D	E	F
2661	27/32"	7/8"	23/64"	3/8"	1/2"-14 NPSM	8-32 x 3/4"

A = Length
B = Screw centerlines
C = Throat I.D.
D = Thread length
E = Thread spec.
F = Screw



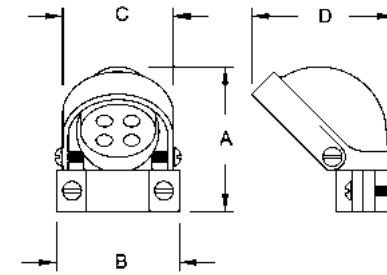
Cable Protectors

CATALOG NUMBER	A	B	C	D
2709	1-1/2"	2-9/16"	1/2"	1/16"
2709-9	1-1/2"	2-9/16"	1/2"	1/16"
2710	1-1/2"	2-9/16"	1/2"	1/16"

PUZZLE-PLATE® Cable Protectors

2712	1-1/2"	2-5/8"	—	3/64"
2712-9R	1-1/2"	2-5/8"	—	1/16"
2712R	1-1/2"	2-5/8"	—	1/16"
2713	1-1/2"	5"	—	3/64"
2713R	1-1/2"	5"	—	1/16"

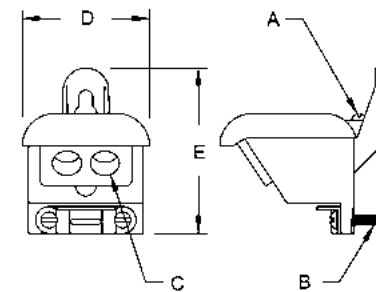
A = Width
B = Height
C = Thickness – measure from the tip of the tang
D = Thickness of material



Entrance Heads, Clamp Type for Rigid/IMC or EMT

CATALOG NUMBER	A	B	C	D	INSULATING HOLE DIA.
2402	2-11/16"	2-1/4"	2-1/8"	2-37/64"	4 Holes 19/64" Dia.
2403	2-55/64"	2-1/4"	2-9/32"	2-63/64"	2 Holes 3/8" Dia., 3 Holes 13/32" Dia.
2404	3-9/32"	2-39/64"	2-39/64"	3-3/8"	3 Holes 1/2" Dia., 2 Holes 7/16" Dia.
2405	3-1/4"	3-3/32"	3-3/32"	4-7/32"	3 Holes 5/8" Dia., 2 Holes 7/16" Dia.
2406	4-43/64"	3-3/4"	3-13/32"	5-3/32"	3 Holes 3/4" Dia., 2 Holes 19/32" Dia., 1 Hole 7/16" Dia.
2408	6"	4-1/2"	4-23/32"	6-19/32"	3 Holes 1" Dia., 2 Holes 3/4" Dia., 1 Hole 17/32" Dia.
2410	8"	5-13/16"	6-7/16"	9-57/64"	3 Holes 1-5/16" Dia., 3 Holes 7/8" Dia., 1 Hole 1" Dia.
2412	8-7/64"	6-3/8"	6-7/16"	10-1/64"	3 Holes 1-5/16" Dia., 3 Holes 7/8" Dia., 1 Hole 1" Dia.
2414	9-9/16"	7-7/64"	8-5/32"	13-1/16"	3 Holes 1-5/16" Dia., 4 Holes 1-1/8" Dia.
2416	9-11/32"	7-61/64"	8-5/32"	13-7/32"	3 Holes 1-3/4" Dia., 4 Holes 1-1/8" Dia.

A = Height
B = Width of clamp
C = Width of head
D = Depth of head

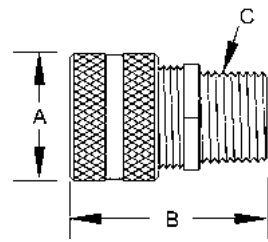


Entrance Heads, Clamp Type for SEU Cable

CATALOG NUMBER	A	B	C	D	E
2430	8-32 x 1/2"	10-24 x 1"	17/32"	3-5/16"	3-5/16"
2440	12-24 x 1/2"	12-24 x 1"	13/16"	4-1/2"	5"

A = Cover screw spec
B = Clamp screw spec
C = Hole size
D = Depth of head
E = Height

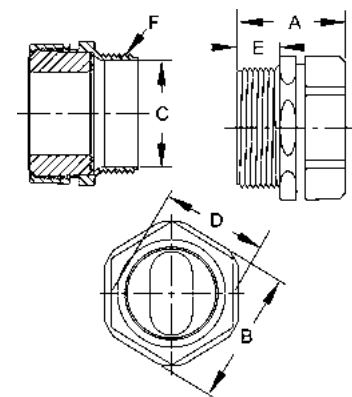
SERVICE ENTRANCE FITTINGS



Underground Feeder (UF) Connectors, Liquid Tight

CATALOG NUMBER	A	B	C
4899-9	1.25"	1.65"	1/2" - 14
4799-1	1.32"	2.03"	1/2" - 14
4799-3	1.56"	2.15"	3/4" - 14
2462	1.25"	1.75"	1/2" - 14

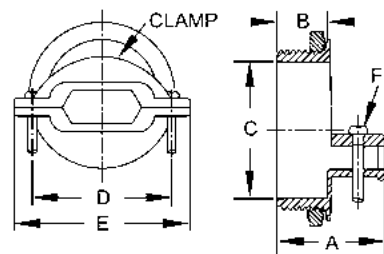
A = Nut O.D.
B = Length
C = Thread spec



Service Entrance Cable Connectors, Liquid Tight

CATALOG NUMBER	A	B	C	D	E	F
2475	2"	1-27/32"	1-23/64"	1-49/64"	39/64"	1-1/4" -11-1/2"
2485	2"	1-27/32"	1-23/64"	1-49/64"	39/64"	1-1/4" -11-1/2"
2486	2-3/16"	2-5/32"	1-19/32"	2-7/64"	39/64"	1-1/2" -11-1/2"
2498	2-13/32"	2-37/64"	2-1/16"	2-21/32"	49/64"	2" -11-1/2"
2468	2-13/32"	2-37/64"	2-1/16"	2-21/32"	49/64"	2" -11-1/2"

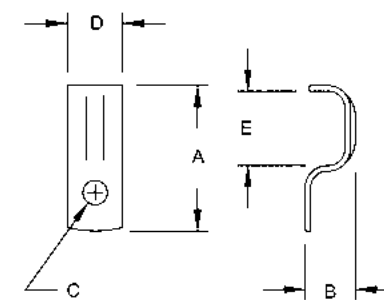
A = Overall length
B = Nut across flat
C = Throat dia.
D = Body across flat
E = Thread length
F = Thread spec



Non-watertight Connectors for Oval or Round Cable

CATALOG NUMBER	A	B	C	D	E	F
2853/2863	15/16"	27/64"	3/4"- 14 NPSM	1-3/16"	1-21/32"	No. 10-24 x 1"
2854/2864	1-7/64"	33/64"	1"- 11-1/2 NPSM	1-7/16"	1-15/16"	No. 10-24 x 1"
2855	1-5/16"	39/64"	1-1/4"- 11-1/2 NPSM	1-5/8"	2-1/4"	No. 10-24 x 1"
2856	1-21/64"	19/32"	1-1/2"- 11-1/2 NPSM	2-13/64"	2-27/32"	No. 10-24 x 1"
2858	1-37/64"	47/64"	2"- 11-1/2 NPSM	2-3/4"	3-1/2"	No. 12-24 x 1"

A = Overall length
B = Thread length and thread spec
C = Throat I.D.
D = Screw center to center
E = Maximum body width
F = Screw size

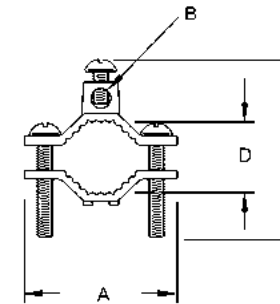


One Hole Cable Straps

CATALOG NUMBER	A	B	C	D	E
2441	1-5/8"	37/64"	9/32"	5/8"	13/16"
2442	1-55/64"	3/4"	9/32"	5/8"	1-3/64"
2443	1-21/32"	1"	9/32"	1"	1-7/16"
2444	2-59/64"	1-9/64"	9/32"	1"	1-45/64"

A = Overall length
B = Height
C = Hole size
D = Width of strap
E = Inside length

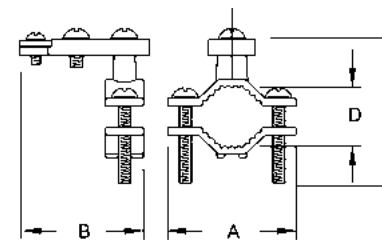
GROUNDING



Ground Clamps for Bare Ground Wires

CATALOG NUMBER	A	B	C	D
2504	2-1/4"	5/16"	2-5/16"	11/16"-1-5/16"
2505	3-9/16"	5/16"	3-1/8"	1-3/8"-2-1/2"
2506	2-1/4"	5/16"	2-5/16"	11/16"-1-5/16"

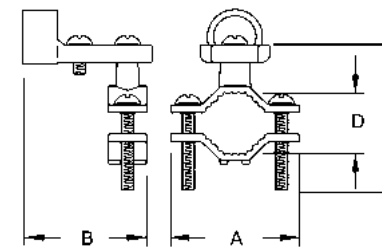
A = Width
B = Hole diameter
C = Height
D = Min./Max. clamping range



Ground Clamps for Bare Armored Ground Wires

CATALOG NUMBER	A	B	C	D
2507	2-1/4"	2-3/8"	2-3/4"	9/16"-1-5/16"
2508	3-5/8"	2-1/4"	3-5/8"	1-3/8"-2-1/2"

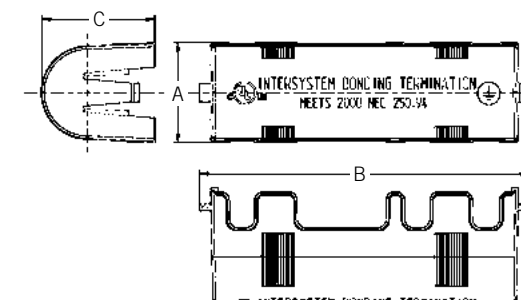
A = Width
B = Length
C = Height
D = Min./Max. clamping range



Ground Clamps for 1/2" Rigid Conduit

CATALOG NUMBER	A	B	C	D
2512	2-1/4"	2-1/2"	3-1/8"	5/8"-1-3/8"
2522	3-9/16"	1-15/16"	3-1/2"	1-1/4"-2-1/2"
2513	2-5/16"	2-1/8"	3-1/2"	11/16"-1-3/8"
2523	3-5/8"	2-3/16"	4-3/8"	1-7/16"-2-1/2"

A = Width
B = Length
C = Height
D = Min./Max. clamping range

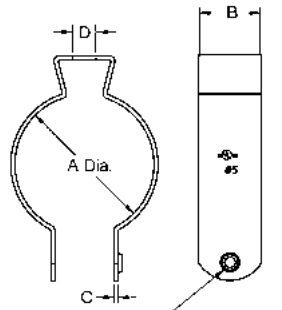
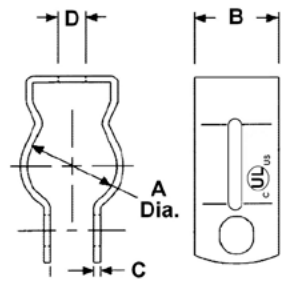


Intersystem Bonding Bridge for Solid or Stranded Conductors

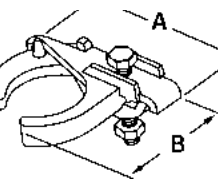
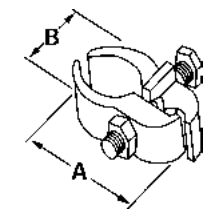
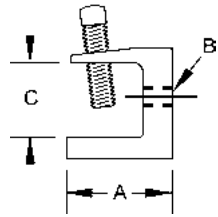
CATALOG NUMBER	A	B	C
RACIBB-5	1.378"	4.606"	1.575"
RACIBB	1.378"	4.606"	1.575"

A = Width
B = Length
C = Height

CONDUIT SUPPORT FITTINGS



1/4-20UNC-2B THREAD ON EXTRUDED HOLE



Conduit Hangers with Nut and Bolt

CATALOG NUMBER	A	B	C	D
2052	0.80"	0.75"	0.04"	0.25"
2053	1.00"	0.75"	0.04"	0.25"
2054	1.20"	0.87"	0.04"	0.25"
2041	1.50"	0.87"	0.04"	0.25"
2055	1.70"	0.87"	0.04"	0.25"
2056	1.87"	1.00"	0.04"	0.31"
2058	2.25"	1.00"	0.04"	0.31"
2057	2.87"	1.25"	0.63"	0.31"
2059	3.50"	1.25"	0.63"	0.31"
2060	4.00"	1.25"	0.63"	0.31"
2061	4.50"	1.25"	0.63"	0.31"

Conduit Hangers with Bolt and Threaded Hole

CATALOG NUMBER	A	B	C	D
2052TH	0.78"	0.73"	.055 - .062"	0.26"
2053TH	0.99"	0.72"	.055 - .062"	0.26"
2054TH	1.25"	0.89"	.055 - .062"	0.26"
2041TH	1.52"	0.88"	.055 - .062"	0.26"
2055TH	1.71"	1.00"	.055 - .062"	0.33"
2056TH	1.92"	1.00"	.055 - .062"	0.33"
2058TH	2.30"	1.00"	.055 - .062"	0.33"

Beam Clamps

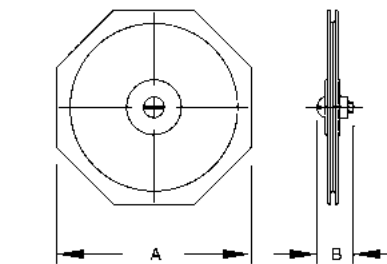
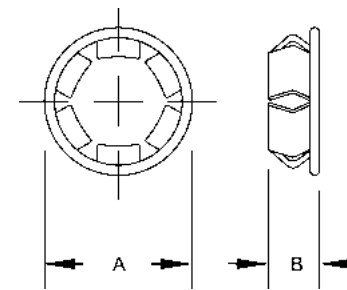
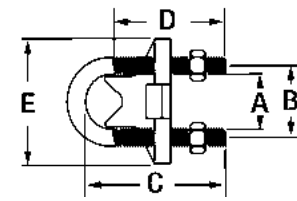
CATALOG NUMBER	A	B	C
2500	1-23/32"	1/4" - 20	21/32"
2524	1-11/32"	1/4" - 20	27/32"
2536	1-1/2"	5/16" - 8	15/16"
2538	1-27/32"	3/8" - 16	1-3/16"
2510	2-11/32"	1/2" - 13	1-1/4"

Parallel Conduit Clamps

CATALOG NUMBER	A	B
2322PC	2-7/8"	1-7/16"
2323PC	3-1/16"	1-11/16"
2324PC	3-1/4"	2"
2325PC	3-5/8"	2-1/8"
2326PC	3-7/8"	2-3/16"
2328PC	4-5/8"	2-7/8"
2330PC	5-1/4"	3-1/4"
2332PC	5-7/8"	3-7/8"
2334PC	6-5/16"	4-5/16"
2336PC	6-13/16"	4-13/16"

Edge Conduit Clamps

CATALOG NUMBER	A	B
2302EC	2-13/16"	2-1/8"
2303EC	2-15/16"	2-3/8"
2304EC	3-1/16"	2-5/8"
2305EC	3-1/16"	3-1/16"
2306EC	3-15/16"	3-1/4"
2308EC	4-1/2"	4-1/16"
2310PC	5-1/8"	4-5/8"
2312PC	5-3/4"	5-1/4"



CONDUIT SUPPORT FITTINGS

Right Angle Conduit Clamps

CATALOG NUMBER	A	B	C	D	E
2352RC	1"	1-1/4"	2-1/2"	1-13/16"	2-1/16"
2353RC	1-1/8"	1-33/8"	2-13/16"	1-13/16"	2-1/4"
2354RC	1-3/8"	1-5/8"	3-1/16"	1-13/16"	2-9/16"
2355RC	1-3/4"	2"	3-3/16"	1-13/16"	2-7/8"
2356RC	2"	2-3/8"	3-1/2"	1-13/16"	3-1/4"
2358RC	2-1/2"	2-1/2"	4-1/2"	2-5/8"	4-1/16"
2360RC	3"	3-1/4"	4-7/8"	2-5/8"	4-1/2"
2362RC	3-1/2"	3-7/8"	5-3/8"	2-5/8"	5-1/8"
2364RC	4"	4-9/16"	5-7/8"	2-5/8"	5-5/8"
2366RC	4-11/16"	5-1/16"	6-11/16"	2-5/8"	6-1/8"

MISCELLANEOUS FITTINGS

Knockout Seals, One Piece

CATALOG NUMBER	A	B
1042	1-5/64"	23/64"
1043	1-15/64"	5/16"
1044	1-29/64"	11/32"
1045	1-13/16"	11/32"
1046	2-13/64"	11/32"
1048	2-43/64"	3/8"

Knockout Seals, Two Piece

CATALOG NUMBER	A	B
1037	3-3/16"	5/8"
1039	3-13/16"	5/8"
1040	4-3/8"	5/8"
1041	4-29/32"	5/8"

A = O. D.
B = Height

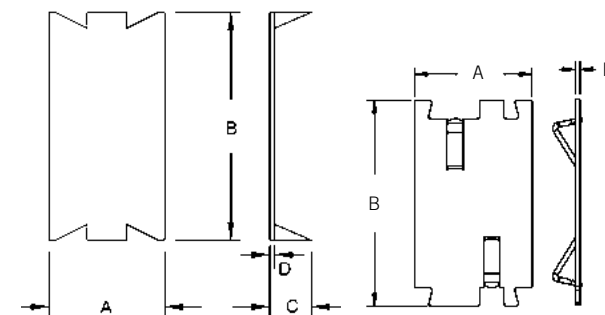
Cable Protectors

CATALOG NUMBER	A	B	C	D
2709	1-1/2"	2-9/16"	1/2"	1/16"
2709-9	1-1/2"	2-9/16"	1/2"	1/16"
2710	1-1/2"	2-9/16"	1/2"	1/16"

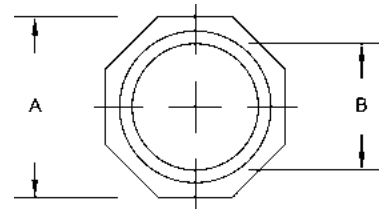
PUZZLE-PLATE® Cable Protectors

2712	1-1/2"	2-5/8"	—	3/64"
2712-9R	1-1/2"	2-5/8"	—	1/16"
2712R	1-1/2"	2-5/8"	—	1/16"
2713	1-1/2"	5"	—	3/64"
2713R	1-1/2"	5"	—	1/16"

A = Width
B = Height
C = Thickness – measure from the tip of the tang
D = Thickness of material

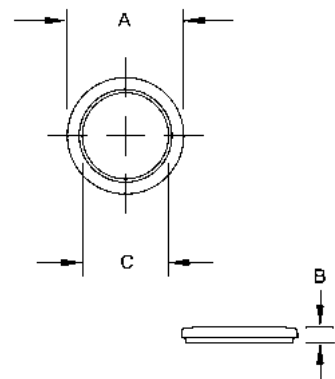


MISCELLANEOUS FITTINGS



Reducing Washers		
CATALOG NUMBER	A	B
1365	1-1/4"	7/8"
1366	1-17/32"	7/8"
1367	1-17/32"	1-3/32"
1368	1-31/32"	7/8"
1369	1-31/32"	1-3/32"
1370	1-31/32"	1-3/8"
1371	2-5/32"	7/8"
1372	2-5/32"	1-3/32"
1373	2-5/32"	1-3/8"
1374	2-5/32"	1-3/4"
1375	2-11/16"	7/8"
1376	2-11/16"	1-3/32"
1377	2-11/16"	1-3/8"
1378	2-11/16"	1-3/4"
1379	2-11/16"	1-31/32"
1380	3-3/16"	1-3/8"
1381	3-3/16"	1-3/4"
1382	3-3/16"	1-31/32"
1383	3-3/16"	2-15/32"
1384	3-13/16"	1-3/4"
1385	3-13/16"	1-31/32"
1386	3-13/16"	2-15/32"
1387	3-13/16"	3"
1389	4-3/8"	2-15/32"
1390	4-3/8"	3"
1391	4-3/8"	3-5/8"
1392	4-29/32"	2-15/32"
1393	4-29/32"	3"
1394	4-29/32"	3-5/8"

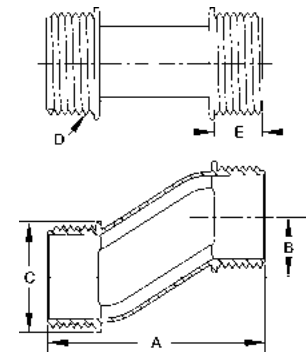
A = Across flats B = I.D.



Sealing Washers - Steel			
CATALOG NUMBER	A	B	C
2452	1-5/64"	5/64"	51/64"
2452-8	1-5/64"	5/64"	51/64"
2453	1-11/32"	5/32"	1"
2453-8	1-11/32"	5/32"	1"
2454	1-5/8"	11/64"	1-1/4"
2454-8	1-5/8"	11/64"	1-1/4"
2455	2"	11/64"	1-39/64"
2456	2-23/64"	3/16"	1-27/32"
2458	2-53/64"	3/16"	2-5/16"

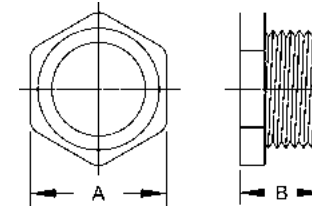
A = O.D. B = Thickness C = I.D.

MISCELLANEOUS FITTINGS



Offset Nipples					
CATALOG NUMBER	A	B	C	D	E
1452	2-27/64"	3/4"	15/16"	1/2" - 14 NPSM	7/16"
1453	2-13/32"	3/4"	1-3/16"	3/4" - 14 NPSM	7/16"
1454	2-23/32"	3/4"	1-25/64"	1" - 11/12 NPSM	39/64"
1455	2-13/16"	3/4"	1-13/16"	1-1/4" - 11-1/2 NPSM	19/32"
1456	3-1/32"	3/4"	2-1/16"	1-1/2" - 11-1/2 NPSM	11/16"
1458	3-5/32"	3/4"	2-9/16"	2" - 11-1/2 NPSM	3/4"

A = Overall length D = Thread spec
 B = Offset E = Thread length
 C = Hub dia.



Uninsulated Nipples		
CATALOG NUMBER	A	B
1662	15/16"	19/32"
1663	1-3/16"	23/32"
1664	1-3/8"	55/64"
1665	1-47/64"	7/8"
1666	2-1/8"	29/32"
1668	2-35/64"	1-5/32"
1670	3-7/32"	1-7/16"
1672	3-51/64"	1-7/16"
1674	4-17/64"	1-7/16"
1676	4-51/64"	1-7/16"

A = Across flats
 B = Length



In-use Covers and Conduit Bodies



STANDARDS

HUBBELL® TAYMAC® UPC Vendor Number 092326 or 050169.

Where applicable, HUBBELL® TAYMAC® products are engineered in accordance with the standards established by Underwriters Laboratories and the Canadian Standards Association. Dimensional data listed in this catalog is intended for general reference with broad tolerance limits.

2020 NEC®

When specifying HUBBELL® TAYMAC® Weatherproof boxes and covers, consult the requirements of the National Electrical Code®, Section 314.16 (B) and 406.9 (B). Section 314.16 (B) details the NEC® requirements for the maximum number of conductors allowed for a HUBBELL® TAYMAC® Weatherproof installation. Article 406.9 (B) provides details on the NEC® requirements for receptacles being used in wet locations.

For your convenience, we have reprinted the pertinent NEC® sections. In all cases, consult your local electrical code and inspector interpretation.

Wiring Capacity: HUBBELL® TAYMAC® Weatherproof Boxes and Extensions

Maximum Number of Conductors or Minimum Size Box (Article 314.16 (B))

The purpose of Section 314.16 (B) is to determine the maximum conductor count or the minimum box size required for the job. It also can be used to figure how many other conductors may be added without exceeding the Code-prescribed limit. Most applications have determined the number of conductors. The rules of Section 314.16 (B) are used to determine the Code recognized limit, or smallest box that may be installed.

Selection of any HUBBELL® TAYMAC® Weatherproof box or extension for use in any electrical circuit work must take into consideration the maximum number of wires permitted in the box. Safe electrical practice demands that wires not be jammed into boxes because of the possibility of nicks, abrasions, or other damage to the insulating material, creating the potential for ground faults or short circuits.

314.16 Number of Conductors in Outlet, Device, and Junction Boxes, and Conduit Bodies.

Boxes and conduit bodies shall be of an approved size to provide free space for all enclosed conductors. In no case shall the volume of the box, as calculated in 314.16(A), be less than the fill calculation as calculated in 314.16(B). The minimum volume for conduit bodies shall be as calculated in 314.16(C).

The provisions of this section shall not apply to terminal housings supplied with motors or generators.

Informational Note: For volume requirements of motor or generator terminal housings, see 430.12.

Boxes and conduit bodies enclosing conductors 4 AWG or larger shall also comply with the provisions of 314.28. Outlet and device boxes shall also comply with 314.24.

(A) Box Volume Calculations. The volume of a wiring enclosure (box) shall be the total volume of the assembled sections and, where used, the space provided by plaster rings, domed covers, extension rings, and so forth, that are marked with their volume or are made from boxes the dimensions of which are listed in Table 314.16(A). Where a box is provided with one or more securely installed barriers, the volume shall be apportioned to each of the resulting spaces. Each barrier, if not marked with its volume, shall be considered to take up 8.2 cm³(1/2 in³) if metal, and 16.4 cm³(1.0 in³) if nonmetallic.

(1) Standard Boxes. The volumes of standard boxes that are not marked with their volume shall be as given in Table 314.16(A).

(2) Other Boxes. Boxes 1650 cm³(100 in.³) or less, other than those described in Table 314.16(A), and nonmetallic boxes shall be durably and legibly marked by the manufacturer with their volume(s). Boxes described in Table 314.16(A) that have a volume larger than is designated in the table shall be permitted to have their volume marked as required by this section.

(B) Box Fill Calculations. The volumes in paragraphs 314.16(B)(1) through (B)(5), as applicable, shall be added together. No allowance shall be required for small fittings such as locknuts and bushings. Each space within a box installed with a barrier shall be calculated separately.

(1) Conductor Fill. Each conductor that originates outside the box and terminates or is spliced within the box shall be counted once, and each conductor that passes through the box without splice or termination shall be counted once. Each loop or coil of unbroken conductor not less than twice the minimum length required for free conductors in 300.14 shall be counted twice. The conductor fill shall be calculated using Table 314.16(B). A conductor, no part of which leaves the box, shall not be counted.

Exception: An equipment grounding conductor or conductors or not over four fixture wires smaller than 14 AWG, or both, shall be permitted to be omitted from the calculations where they enter a box from a domed luminaire or similar canopy and terminate within that box.

(2) Clamp Fill. Where one or more internal cable clamps, whether factory or field supplied, are present in the box, a single volume allowance in accordance with Table 314.16(B) shall be made based on the largest conductor present in the

box. No allowance shall be required for a cable connector with its clamping mechanism outside the box.

A clamp assembly that incorporates a cable termination for the cable conductors shall be listed and marked for use with specific nonmetallic boxes. Conductors that originate within the clamp assembly shall be included in conductor fill calculations covered in 314.16(B)(1) as though they entered from outside the box. The clamp assembly shall not require a fill allowance, but the volume of the portion of the assembly that remains within the box after installation shall be excluded from the box volume as marked in 314.16(A)(2).

(3) Support Fittings Fill. Where one or more luminaire studs or hickey are present in the box, a single volume allowance in accordance with Table 314.16(B) shall be made for each type of fitting based on the largest conductor present in the box.

(4) Device or Equipment Fill. For each yoke or strap containing one or more devices or equipment, a double volume allowance in accordance with Table 314.16(B) shall be made for each yoke or strap based on the largest conductor connected to a device(s) or equipment supported by that yoke or strap. A device or utilization equipment wider than a single 50 mm (2 in.) device box as described in Table 314.16(A) shall have double volume allowances provided for each gang required for mounting.

(5) Equipment Grounding Conductor Fill. Where up to four equipment grounding conductors or equipment bonding jumpers enter a box, a single volume allowance in accordance with Table 314.16(B) shall be made based on the largest equipment grounding conductor or equipment bonding jumper entering in the box.

A 1/4 volume allowance shall be made for each additional equipment grounding conductor or equipment bonding jumper that enters the box, based on the largest equipment grounding conductor or equipment bonding conductor.

(C) Conduit Bodies.

(1) General. Conduit bodies enclosing 6 AWG conductors or smaller, other than short-radius conduit bodies as described in 314.16(C)(3), shall have a cross-sectional area not less than twice the cross-sectional area of the largest conduit or tubing to which they can be attached. The maximum number of conductors permitted shall be the maximum number permitted by Table 1 of Chapter 9 for the conduit or tubing to which it is attached.

(2) With Splices, Taps, or Devices. Only those conduit bodies that are durably and legibly marked

by the manufacturer with their volume shall be permitted to contain splices, taps, or devices. The maximum number of conductors shall be calculated in accordance with 314.16(B). Conduit bodies shall be supported in a rigid and secure manner.

(3) Short Radius Conduit Bodies. Conduit bodies such as capped elbows and service-entrance elbows that enclose conductors 6 AWG or smaller, and are only intended to enable the installation of the raceway and the contained conductors, shall not contain splices, taps, or devices and shall be of an approved size to provide free space for all conductors enclosed in the conduit body.

406.9 Receptacles in Damp or Wet Locations.

(A) Damp Locations. A receptacle installed outdoors in a location protected from the weather or in other damp locations shall have an enclosure for the receptacle that is weatherproof when the receptacle is covered (attachment plug cap not inserted and receptacle covers closed).

An installation suitable for wet locations shall also be considered suitable for damp locations.

A receptacle shall be considered to be in a location protected from the weather where located under roofed open porches, canopies, marquees, and the like, and will not be subjected to a beating rain or water runoff. All 15- and 20-ampere, 125- and 250-volt nonlocking receptacles shall be a listed weather-resistant type.

Informational Note: The types of receptacles covered by this requirement are identified as 5-15, 5-20, 6-15, and 6-20 in ANSI/NEMA WD 6-2016, Wiring Devices — Dimensional Specifications.

(B) Wet Locations.

(1) Receptacles of 15 and 20 Amperes in a Wet Location. Receptacles of 15 and 20 amperes, 125 and 250 volts installed in a wet location shall have an enclosure that is weatherproof whether or not the attachment plug cap is inserted. An outlet box hood installed for this purpose shall be listed and shall be identified as “extra-duty.” Other listed products, enclosures, or assemblies providing weatherproof protection that do not utilize an outlet box hood need not be marked “extra duty.”

Informational Note No. 1: Requirements for extra-duty outlet box hoods are found in ANSI/UL 514D-2016, Cover Plates for Flush-Mounted Wiring Devices.

“Extra duty” identification and requirements are not applicable to listed receptacles, faceplates, outlet boxes, enclosures, or assemblies that are identified as either being suitable for wet locations or rated as one of the outdoor enclosure-type numbers of Table 110.28 that does not utilize an outlet box hood.

Exception: 15- and 20-ampere, 125- through 250-volt receptacles installed in a wet location and subject to routine high-pressure spray washing shall be permitted to have an enclosure that is weatherproof when the attachment plug is removed. All 15- and 20-ampere, 125- and 250-volt nonlocking-type receptacles shall be listed and so identified as the weatherresistant type.

Informational Note No. 2: The configuration of weatherresistant receptacles covered by this requirement are identified as 5-15, 5-20, 6-15, and 6-20 in ANSI/NEMA WD 6-2016, Wiring Devices — Dimensional Specifications.

(2) Other Receptacles. All other receptacles installed in a wet location shall comply with 406.9(B)(2)(a) or (B)(2)(b).

(a) A receptacle installed in a wet location, where the product intended to be plugged into it is not attended while in use, shall have an enclosure that is weatherproof with the attachment plug cap inserted or removed.

(b) A receptacle installed in a wet location where the product intended to be plugged into it will be attended while in use (e.g., portable tools) shall have an enclosure that is weatherproof when the attachment plug is removed.

(C) Bathtub and Shower Space. Receptacles shall not be installed within or a zone measured 900 mm (3 ft) horizontally and 2.5 m (8 ft) vertically from the top of the bathtub rim or shower stall threshold. The identified zone is all-encompassing and shall include the space directly over the tub or shower stall.

Exception: In bathrooms with less than the required zone the receptacle(s) shall be permitted to be installed opposite the bathtub rim or shower stall threshold on the farthest wall within the room.

(D) Protection for Floor Receptacles. Standpipes of floor receptacles shall allow floor-cleaning equipment to be operated without damage to receptacles.

(E) Flush Mounting with Faceplate. The enclosure for a receptacle installed in an outlet box flush-mounted in a finished surface shall be made weatherproof by means of a weatherproof faceplate assembly that provides a watertight connection between the plate and the finished surface.

National Electric Code® and NEC® is a registered Trademark of the National Fire Protection Association.

GENERAL FEATURES AND BENEFITS

HUBBELL® TAYMAC® Weatherproof products all offer these features and benefits:

- Rugged seamless die cast construction that will not allow entry of moisture
- Reinforced connector outlets to provide a secure mechanical installation
- State-of-the-art powder coat paint for maximum weatherability and scratch resistance
- Bilingual instructions provided with every product
- Installation hardware and ground screws included where applicable
- Shrink-wrap packaging that keeps all components together
- UPC-A barcoding to help lower transaction costs Refer to the pages that follow for more specific information about HUBBELL® TAYMAC® products.

Calculate The Minimum Size Box

Section 314-16(B) describes in detail the method of counting wires, as well as clamps, fittings, or devices (i.e., switches, receptacles, combination devices) — by establishing an equivalent conductor-value for each. These values are added together to get a total number of conductors. The minimum size box is the smallest one in cubic inch size that can accommodate that number of conductors.

Points to Remember:

1. No matter how many ground wires come into a box, they only count as one conductor within the box.
2. Any wire running unbroken through the box counts as one wire.
3. Each wire coming into a splice device (crimp or twist-on type) is counted as one wire.

Table 314.16(B) Volume Allowance Required per Conductor		
Size of Conductor	Free Space Within Box for Each Conductor	
(AWG)	cm ³	in. ³
18	24.6	1.50
16	28.7	1.75
14	32.8	2.00
12	36.9	2.25
10	41.0	2.50
8	49.2	3.00
6	81.9	5.00

4. Each wire coming into the box and connecting to a device counts as one wire of that size.
5. Where devices are mounted in the box, the total conductor count must be increased by two for each mounting strap.

Example — TAYMAC® Weatherproof
Supply power to a single switch with #14 conductors. Metal conduit will be used as the wire way. You must provide space for four conductors and one switch, totally a conductor count of 6. Read across the line in Table 314.16(B) for a #14 conductor. Multiply 6 times the free space within a box. For each conductor for a #14 conductor 2.00. This example requires a minimum box of 12.0 cubic inches.



APPLICATIONS

- Designed to provide weatherproof protection while an outlet is in use

PRODUCT FEATURES

- High-impact polycarbonate construction provides maximum durability
- Quick-Fit keyhole mounting system allows installation in under a minute
- Includes attached gasket and mounting hardware
- Universal Fit Adapter System Technology (U-Fast) for 16-in-1 configurations, comes pre-configured for GFCI
- Lockable tab (fits up to 1/8" shackle / Extra Duty covers fit up to 1/4" shackle)

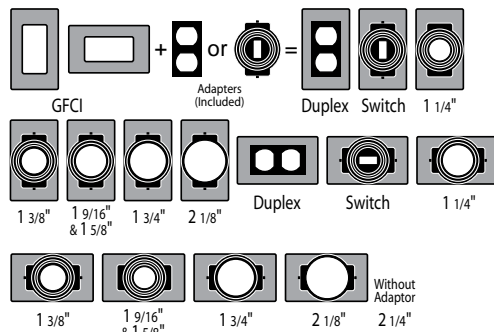
COMPLIANCES

- cULus File E116141
- 2014/2017 NEC® 406.9 (A) compliant
- 2014/2017 NEC® 406.9 (B) compliant (Extra Duty)
- NEMA 3R rated

1-GANG

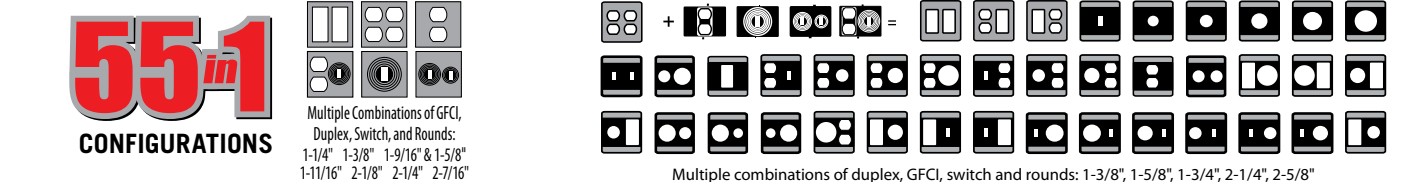


16-in-1 CONFIGURATIONS



CATALOG #	DESCRIPTION	DEPTH	COLOR	PKG. TYPE	STD. PKG.	BARCODE
1-Gang In-Use Covers						
MM420C	Extra Duty® Horizontal/Vertical 16-in-1 Standard	2.75"	Clear	Shrink	8	
MM420G	Extra Duty® Horizontal/Vertical 16-in-1 Standard	2.75"	Gray	Shrink	8	
MM420W	Extra Duty® Horizontal/Vertical 16-in-1 Standard	2.75"	White	Shrink	8	
MM720C	Extra Duty® Horizontal/Vertical 16-in-1 Jumbo	4.75"	Clear	Shrink	4	
MM720G	Extra Duty® Horizontal/Vertical 16-in-1 Jumbo	4.75"	Gray	Shrink	4	
MM410C	Horizontal/Vertical 16-in-1 Standard	2.75"	Clear	Shrink	10	
MM410CA	Horizontal/Vertical 16-in-1 Standard w/Round Box Adaptor	2.75"	Clear	Shrink	10	
MM410CW	Horizontal/Vertical 16-in-1 Standard	2.75"	Clear w/ White Base	Shrink	10	
MM410G	Horizontal/Vertical 16-in-1 Standard	2.75"	Gray	Shrink	10	
MM410W	Horizontal/Vertical 16-in-1 Standard	2.75"	White	Shrink	10	
MM510C	Horizontal/Vertical 16-in-1 Deep	3.25"	Clear	Shrink	8	
MM510G	Horizontal/Vertical 16-in-1 Deep	3.25"	Gray	Shrink	8	
MM710C	Horizontal/Vertical 16-in-1 Jumbo	4.75"	Clear	Shrink	5	
MM710G	Horizontal/Vertical 16-in-1 Jumbo	4.75"	Gray	Shrink	5	

2-GANG



CATALOG #	DESCRIPTION	DEPTH	COLOR	PKG. TYPE	STD. PKG.	BARCODE
2-Gang In-Use Jumbo Covers						
MM7420C	Extra Duty® 55-in-1 Jumbo	5.00"	Clear	Shrink	3	
MM7420G	Extra Duty® 55-in-1 Jumbo	5.00"	Gray	Shrink	3	
MM7440C	40-in-1 Jumbo	4.75"	Clear	Shrink	3	
MM7440G	40-in-1 Jumbo	4.75"	Gray	Shrink	3	
2-Gang In-Use Covers						
MM2420C	Extra Duty® 55-in-1 Standard	2.75"	Clear	Shrink	6	
MM2420G	Extra Duty® 55-in-1 Standard	2.75"	Gray	Shrink	4	
MM2410C	55-in-1 Standard	2.75"	Clear	Shrink	6	
MM2410G	55-in-1 Standard	2.75"	Gray	Shrink	6	

APPLICATIONS

- Designed to provide weatherproof protection while an outlet is in use

PRODUCT FEATURES

- High-impact polycarbonate construction provides maximum durability
- Quick-Fit keyhole mounting system allows installation in under a minute
- Includes attached gasket and mounting hardware
- Universal Fit Adapter System Technology (U-Fast) comes pre-configured for GFCI
- Lockable tab (fits up to 1/8" shackle)
- Made in USA

COMPLIANCES

- cULus File E116141
- 2014/2017 NEC® 406.9 (A) compliant (MM7440C and MM7440G)
- 2014/2017 NEC® 406.9 (B) compliant (Extra Duty MM2420C and G) (MM7420C and G)
- NEMA 3R rated

* MM7440 pre-configured for Duplex.
MM2410/MM2420 pre-configured for GFCI.

NONMETALLIC FLAT DEVICE COVERS

NONMETALLIC FLAT EXPANDABLE IN-USE COVERS

APPLICATIONS

- For use whenever weatherproof protection is required for an outdoor receptacle or switch

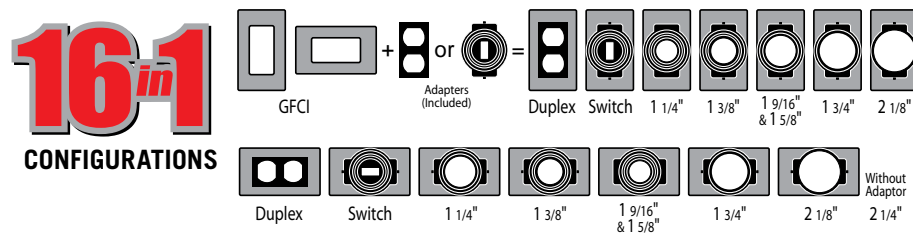
PRODUCT FEATURES

- High-impact polycarbonate construction provides maximum durability
- Quick-Fit keyhole mounting system allows installation in under a minute
- Includes attached gasket and mounting hardware
- Universal Fit Adapter System Technology (U-Fast) comes pre-configured for GFCI
- Lockable tab (fits up to 1/8" shackle)
- Made in USA

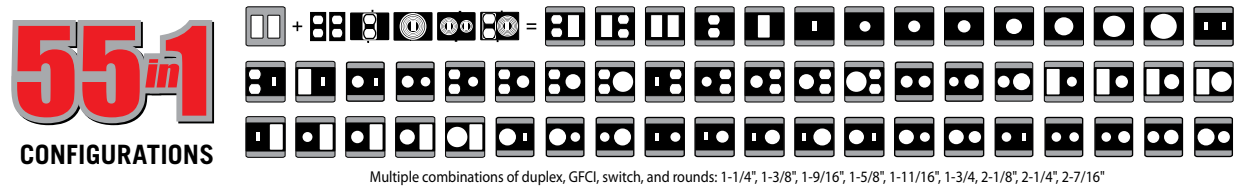
COMPLIANCES

- cULus File E116141
- 2014 NEC® 406.9 (A) compliant (MM1410C, G, and W)
- NEMA 3R rated

1-GANG



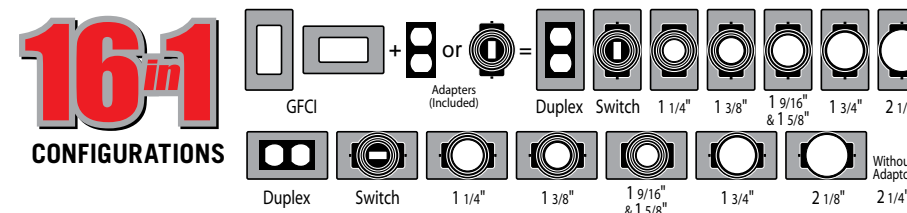
2-GANG



CATALOG #	DESCRIPTION	DEPTH	COLOR	PKG. TYPE	STD. PKG.	BARCODE
1-Gang Flat Covers						
MM110C	Horizontal/Vertical 16-in-1	.625"	Clear	Shrink	10	
MM110G	Horizontal/Vertical 16-in-1	.625"	Gray	Shrink	10	
MM110W	Horizontal/Vertical 16-in-1	.625"	White	Shrink	10	
2-Gang Flat Covers						
MM1410C	55-in-1 Standard	.625"	Clear	Shrink	10	
MM1410G	55-in-1 Standard	.625"	Gray	Shrink	10	
MM1410W	55-in-1 Standard	.625"	White	Shrink	10	

SEE END OF SECTION (PG C24) FOR DETAILED DRAWINGS >>

1-GANG



2-GANG



APPLICATIONS

- Expandable design for weatherproof protection while an outlet is in use

PRODUCT FEATURES

- Revolutionary patented design expands from 1" to 3" for in-use needs
- 100% paintable surface
- Ultra rugged polycarbonate & synthetic neoprene rubber will not dry rot, crack or deteriorate in sunlight
- Includes attached gasket and mounting hardware
- Quick-Fit keyhole mounting system allows installation in under a minute
- Universal Fit Adapter System Technology (U-Fast) comes pre-configured for GFCI

COMPLIANCES

- cULus File E116141
- 2014/2017 NEC® 406.9 (A) compliant
- 2014/2017 NEC® 406.9 (B) compliant (Extra Duty)
- NEMA 3R rated



Multiple Combinations of GFCI, Duplex, Switch, and Rounds:
1-1/4" 1-3/8" 1-9/16" 1-11/16" 2-1/8" 2-1/4" 2-7/16" & 1-5/8"

CATALOG #	DESCRIPTION	DEPTH	COLOR	PKG. TYPE	STD. PKG.	BARCODE
1-Gang Flat Expandable In-Use Covers						
ML500G	Extra Duty® 16-in-1 Flat Expandable Vertical/Horizontal	1" to 3"	Gray	Shrink	10	
ML500W	Extra Duty® 16-in-1 Flat Expandable Vertical/Horizontal	1" to 3"	White	Shrink	10	
ML500Z	Extra Duty® 16-in-1 Flat Expandable Vertical/Horizontal	1" to 3"	Bronze	Shrink	10	
ML450G	16-in-1 Flat Expandable Vertical/Horizontal	1" to 3"	Gray	Shrink	10	
ML450W	16-in-1 Flat Expandable Vertical/Horizontal	1" to 3"	White	Shrink	10	
ML450Z	16-in-1 Flat Expandable Vertical/Horizontal	1" to 3"	Bronze	Shrink	10	
2-Gang Flat Expandable In-Use Covers						
ML2500G	Extra Duty® 55-in-1 Flat Expandable	1" to 3"	Gray	Shrink	6	
ML2450G	55-in-1 Flat Expandable	1" to 3"	Gray	Shrink	6	

SEE END OF SECTION (PG C25) FOR DETAILED DRAWINGS >>



1-GANG COVER

APPLICATIONS

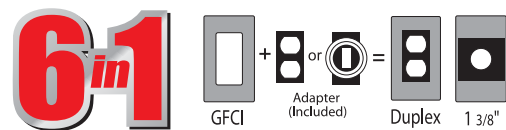
- In-use weatherproof enclosures can be used in new or old work, and are compatible with common siding types and materials such as vinyl, wood, stucco, brick or block

PRODUCT FEATURES

- Mounts horizontally or vertically
- Accommodates duplex, GFCI or round receptacle (not included)
- Universal Fit Adapter System Technology (U-Fast) comes pre-configured for GFCI
- Electrical box and siding flange included
- For all common siding types and materials (vinyl, wood, stucco, brick or block)
- Installation instructions and mounting hardware included

COMPLIANCES

- cULus File E313240
- 2014/2017 NEC® 406.9 (A) compliant
- 2014/2017 NEC® 406.9 (B) compliant (Extra Duty)



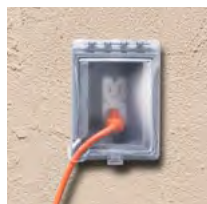
MR420CW

MR420CZ

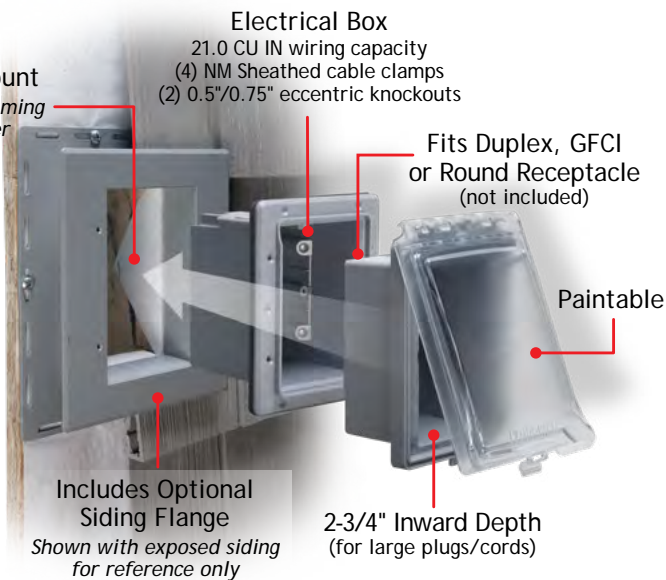


Vinyl Siding

Brick



Stucco

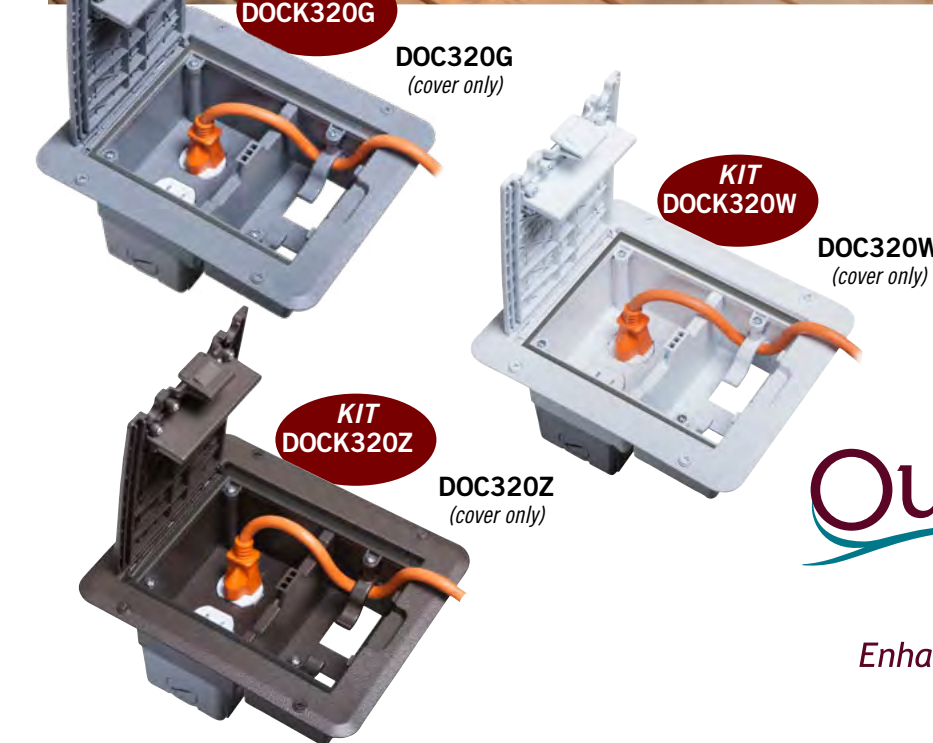


CATALOG #	DESCRIPTION	DEPTH	COLOR	PKG. TYPE	STD. PKG.	BARCODE
Weatherproof In-Use Recessed Enclosure						
MR420CG	Extra Duty® Weatherproof In-Use Recessed Enclosure	4.98"	Gray	Boxed	4	
MR420CW	Extra Duty® Weatherproof In-Use Recessed Enclosure	4.98"	White	Boxed	4	
MR420CZ	Extra Duty® Weatherproof In-Use Recessed Enclosure	4.98"	Bronze	Boxed	4	

1-GANG COVER AND KIT



Complete Kit



KIT DOCK320G

DOC320G (cover only)

KIT DOCK320W

DOC320W (cover only)

KIT DOCK320Z

DOC320Z (cover only)

APPLICATIONS

- Provides safe, code-compliant way to add an outlet to raised outdoor floors
- Suitable for lights, fans, device chargers and other electric appliances
- Protects from water spray, rain or snow
- Cost effective upgrade for today's outdoor living

PRODUCT FEATURES

- Provides convenient power access on raised wood or composite decks and porches
- Low profile design meets ADA standards, includes beveled edge and slip-resistant texture
- Heavy duty UV-resistant polycarbonate for durability even in harsh environments
- Cord hooks hold two power cords in place, including most 16 gauge grounded extension cords
- Fits standard duplex, decorator and GFCI receptacles
- Rain chamber and "drip loop" design provide two levels of in-use protection
- Pre-attached weatherproof gasket keeps water from entering around the self-closing lid

COMPLIANCES

- cULus Listed
- NEC & NEMA 3R Compliant

Outdoor Comforts™
Enhance Your Outdoor Space!

CATALOG #	DESCRIPTION	DIMS.	COLOR	PKG. TYPE	STD. PKG.	BAR CODE
Weatherproof Deck Outlet Cover						
DOC320G	1-Gang, Deck Outlet Cover	7.125" x 3.25" x 8.5"	Gray	Box	4	
DOC320W	1-Gang, Deck Outlet Cover	7.125" x 3.25" x 8.5"	White	Box	4	
DOC320Z	1-Gang, Deck Outlet Cover	7.125" x 3.25" x 8.5"	Bronze	Box	4	
Weatherproof Deck Outlet Kit						
DOCK320G	1-Gang, Deck Outlet Cover, 1-Gang metallic outlet box & Hubbell Pro GFCI	7.125" x 3.25" x 8.5"	Gray	Box	4	
DOCK320W	1-Gang, Deck Outlet Cover, 1-Gang metallic outlet box & Hubbell Pro GFCI	7.125" x 3.25" x 8.5"	White	Box	4	
DOCK320Z	1-Gang, Deck Outlet Cover, 1-Gang metallic outlet box & Hubbell Pro GFCI	7.125" x 3.25" x 8.5"	Bronze	Box	4	

NONMETALLIC RECEPTACLE / COVER COMBOS AND COMPLETE KITS

RECEPTACLE / METAL COVER COMBOS AND COMPLETE KITS

IN-USE COVER COMBOS AND COMPLETE KITS

APPLICATIONS

- Receptacle and cover combos for use whenever weatherproof protection is required while receptacle is in use

PRODUCT FEATURES

- High quality Hubbell WR/TR device included
- Quick-Fit keyhole mounting system allows cover installation in under a minute
- Universal Fit Adapter System Technology (U-Fast) comes pre-configured for GFCI
- Includes attached gasket and hardware
- Includes receptacle and cover
- Installation instructions and mounting hardware included

COMPLIANCES

- cULus File E313240
- 2014/2017 NEC® 406.9 (A) compliant
- 2014/2017 NEC® 406.9 (B) compliant (Extra Duty)
- NEMA 3R rated



CATALOG #	DESCRIPTION	DEPTH	COLOR	PKG. TYPE	STD. PKG.	BARCODE
Receptacle / In-Use Cover Combos						
MG420CS	Extra Duty® Hubbell WR/TR 15 AMP Self Test GFCI / Cover Combo	2.75"	Clear	Shrink	4	
MD410C	Hubbell WR/TR 15 AMP Decorator Duplex / Cover Combo	2.75"	Clear	Shrink	10	
MG510CS	Hubbell WR/TR 15 AMP Self Test GFCI / Deep Cover Combo	3.25"	Clear	Shrink	8	
MD450G	Hubbell WR/TR 15 AMP Duplex/Expandable Cover Combo	1" to 3"	Gray	Shrink	8	
MG500GS	Extra Duty® Hubbell WR/TR 15 AMP GFCI/Expandable Cover Combo	1" to 3"	Gray	Shrink	6	
Complete In-Use Cover Kits						
MKG420CS	Extra Duty® In-Use Cover, Box and Hubbell WR/TR 15A Self Test GFCI Kit	2.75"	Clear	Shrink	4	

IN-USE METAL COVER COMBOS AND COMPLETE KITS

APPLICATIONS

- Receptacle and metal cover combos for use whenever weatherproof protection is required

PRODUCT FEATURES

- High quality Hubbell WR/TR device included
- Heavy duty die-cast metal construction
- Includes gasket and mounting hardware
- Durable powder coat finish
- Lockable tab
- Includes receptacle and cover

COMPLIANCES

- UL File E212332
- 2014/2017 NEC® 406.9 (B) compliant (Extra Duty)
- NEMA 3R rated



CATALOG #	DESCRIPTION	DEPTH	COLOR	PKG. TYPE	STD. PKG.	BARCODE
Receptacle / Metal In-Use Cover Combos						
MD5881-0	Extra Duty® Hubbell WR/TR 15A Duplex / Vertical In-Use Metal Cover Combo	3"	Gray	Shrink	4	
MG5802-0	Extra Duty® Hubbell WR/TR 15A GFCI / Horizontal In-Use Metal Cover Combo	3"	Gray	Shrink	3	
MG5881-0	Extra Duty® Hubbell WR/TR 15A GFCI / Vertical In-Use Metal Cover Combo	3"	Gray	Shrink	4	
MD5802-0	Extra Duty® Hubbell WR/TR 15A Duplex / Horizontal In-Use Metal Cover Combo	3"	Gray	Shrink	3	
Complete Metal In-Use Cover Kits						
MKG4280SS	Extra Duty® In-Use Cover, Box and Hubbell WR/TR 15A Self Test GFCI	2" to 3.5"	Gray	Clamshell	4	

IN-USE METAL COVERS

APPLICATIONS

- Designed to provide weatherproof protection while an outlet is in use

PRODUCT FEATURES

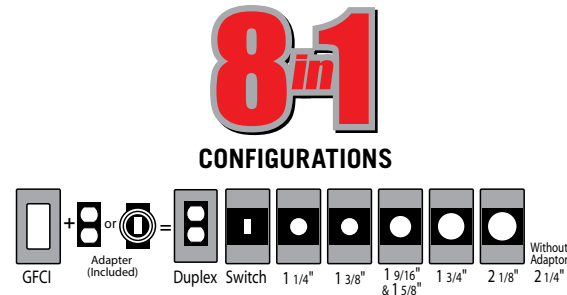
- Heavy duty die-cast metal construction
- Meets or exceeds Extra Duty® specifications
- Quick-Fit keyhole mounting system allows cover installation in under a minute
- Includes gasket and mounting hardware
- Universal Fit Adapter System Technology (U-Fast) comes pre-configured for GFCI
- Durable powder coat finish
- Lockable tab (fits up to 1/4" shackle)

COMPLIANCES

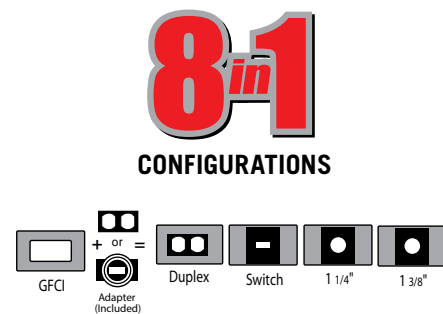
- cULus File E212332
- 2014/2017 NEC® compliant
- NEMA 3R rated



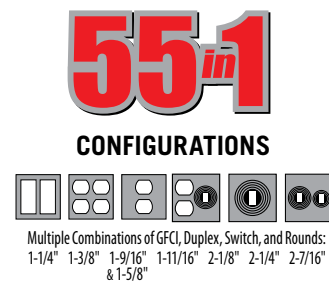
MX3200



MX3300



MX6200



MX7200

CATALOG #	DESCRIPTION	DEPTH	COLOR	PKG. TYPE	STD. PKG.	BARCODE
MX3200	Extra Duty® Vertical 8-in-1	3.125"	Gray	Shrink	4	
MX3300	Extra Duty® Horizontal 8-in-1	3.5"	Gray	Shrink	4	
MX6200	Extra Duty® 2-Gang 55-in-1	3.5"	Gray	Shrink	4	
MX7200	Extra Duty® Jumbo 2-Gang 55-in-1	5.125"	Gray	Shrink	2	

IN-USE LOW PROFILE METAL COVERS

APPLICATIONS

- Designed to provide weatherproof protection while an outlet is in use

PRODUCT FEATURES

- Heavy duty die-cast metal construction
- Meets or exceeds Extra Duty® specifications
- Quick-Fit keyhole mounting system allows cover installation in under a minute
- Includes gasket and mounting hardware
- Universal Fit Adapter System Technology (U-Fast) comes pre-configured for GFCI
- Durable powder coat finish
- Lockable open or closed and fits fullsize padlock (up to 5/16" shackle)

COMPLIANCES

- cULus File E212332
- 2014/2017 NEC® compliant
- NEMA 3R rated



MX4280S

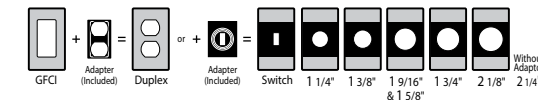


MX4280WH

MX4280Z



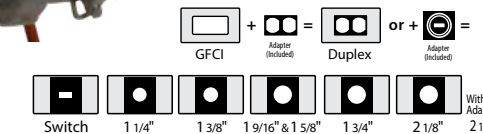
8-in-1 CONFIGURATIONS



MX4380S



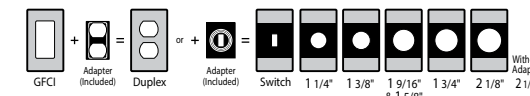
8-in-1 CONFIGURATIONS



MX5280S



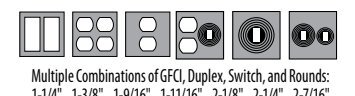
8-in-1 CONFIGURATIONS



MX7280S



55-in-1 CONFIGURATIONS



CATALOG #	DESCRIPTION	DEPTH	COLOR	PKG. TYPE	STD. PKG.	BARCODE
Metal Low Profile In-Use Covers						
MX4280S	Extra Duty® Vertical 8-in-1	2" to 3-1/2"	Gray	Shrink	6	
MX4280WH	Extra Duty® Vertical 8-in-1	2" to 3-1/2"	White	Shrink	6	
MX4280Z	Extra Duty® Vertical 8-in-1	2" to 3-1/2"	Bronze	Shrink	6	
MX4380S	Extra Duty® Horizontal 8-in-1	2" to 3-1/2"	Gray	Shrink	4	
MX5280S	Extra Duty® Vertical Deep 8-in-1	2-1/2" to 4-1/2"	Gray	Shrink	2	
MX7280S	Extra Duty® Vertical 2-Gang 55-in-1	2" to 3-1/2"	Gray	Shrink	2	

ACCESSORIES

APPLICATIONS

- Use in conjunction with other weatherproof products



CATALOG #	DESCRIPTION	COLOR	PKG. TYPE	STD. PKG.	BARCODE
Gaskets					
GK300	Kit of Six Gaskets: (2) 1-Gang, (2) 2-Gang and (2) Round Outlet Box	Black	Poly Bag	10	
GS100	2 Pack 1-Gang Gaskets	Black	Poly Bag	10	
GS400	2 Pack 3-Gang Gaskets	Black	Poly Bag	10	
Ground Spike					
SG100S	9" Die Cast Metal, Fits 1/2" Hole	Gray	Open	12	
Round Box Adapter					
PRBA400G	Plastic Round Box Adapter (Use to install outdoor device cover on round receptacle box)	Gray	Shrink	10	

RIGID/IMC CONDUIT BODIES



APPLICATIONS

- For use with threaded Rigid/IMC conduit for pulling access or to split a run into multiple directions. Removable cover included with complete assemblies allow access for maintenance and making taps and splices to conductors.

PRODUCT FEATURES

- Durable die-cast aluminum construction
- Premium powder coat finish
- Complete assemblies include a NBR synthetic rubber gasket and a stamped aluminum cover with combination head screws

COMPLIANCES

- eUL File E331564
- 2014 NEC compliant
- NEMA 3R rated

CATALOG #	DESCRIPTION	UNIT CTN QTY	SHIP CTN QTY	BARCODE
Threaded Conduit Fittings: LB Assembly				
RLB050	1/2" Rigid LB Assembly	-	10	
RLB075	3/4" Rigid LB Assembly	-	10	
RLB100	1" Rigid LB Assembly	-	5	
RLB125	1-1/4" Rigid LB Assembly	-	2	
RLB150	1-1/2" Rigid LB Assembly	-	2	
RLB200	2" Rigid LB Assembly	-	2	
RLB250	2-1/2" Rigid LB Assembly	-	1	
RLB300	3" Rigid LB Assembly	-	1	
RLB350	3-1/2" Rigid LB Assembly	-	1	
RLB400	4" Rigid LB Assembly	-	1	
Threaded Conduit Fittings: LB Body				
LB050	1/2" Rigid LB Type Body	10	100	
LB075	3/4" Rigid LB Type Body	10	50	
LB100	1" Rigid LB Type Body	5	25	
LB125	1-1/4" Rigid LB Type Body	2	10	
LB150	1-1/2" Rigid LB Type Body	2	10	
LB200	2" Rigid LB Type Body	1	5	
LB250	2-1/2" Rigid LB Type Body	-	1	
LB300	3" Rigid LB Type Body	-	1	
LB350	3-1/2" Rigid LB Type Body	-	1	
LB400	4" Rigid LB Type Body	-	1	
Threaded Conduit Fittings: C Assembly				
RLC050	1/2" Rigid C Assembly	-	5	
RLC075	3/4" Rigid C Assembly	-	5	
RLC100	1" Rigid C Assembly	-	5	
RLC125	1-1/4" Rigid C Assembly	-	2	
RLC150	1-1/2" Rigid C Assembly	-	2	
RLC200	2" Rigid C Assembly	-	2	
RLC250	2-1/2" Rigid C Assembly	-	1	
RLC300	3" Rigid C Assembly	-	1	
RLC350	3-1/2" Rigid C Assembly	-	1	
RLC400	4" Rigid C Assembly	-	1	

CATALOG #	DESCRIPTION	UNIT CTN QTY	SHIP CTN QTY	BARCODE
Threaded Conduit Fittings: C Body				
RC050	1/2" Rigid C Type Body	10	100	
RC075	3/4" Rigid C Type Body	10	50	
RC100	1" Rigid C Type Body	5	25	
RC125	1-1/4" Rigid C Type Body	2	10	
RC150	1-1/2" Rigid C Type Body	2	10	
RC200	2" Rigid C Type Body	1	5	
RC250	2-1/2" Rigid C Type Body	-	1	
RC300	3" Rigid C Type Body	-	1	
RC350	3-1/2" Rigid C Type Body	-	1	
RC400	4" Rigid C Type Body	-	1	
Threaded Conduit Fittings: LL Assembly				
RLL050	1/2" Rigid LL Assembly	-	5	
RLL075	3/4" Rigid LL Assembly	-	5	
RLL100	1" Rigid LL Assembly	-	5	
RLL125	1-1/4" Rigid LL Assembly	-	2	
RLL150	1-1/2" Rigid LL Assembly	-	2	
RLL200	2" Rigid LL Assembly	-	2	
RLL250	2-1/2" Rigid LL Assembly	-	1	
RLL300	3" Rigid LL Assembly	-	1	
RLL350	3-1/2" Rigid LL Assembly	-	1	
RLL400	4" Rigid LL Assembly	-	1	
Threaded Conduit Fittings: LL Body				
LL050	1/2" Rigid LL Type Body	10	100	
LL075	3/4" Rigid LL Type Body	10	50	
LL100	1" Rigid LL Type Body	5	25	
LL125	1-1/4" Rigid LL Type Body	2	10	
LL150	1-1/2" Rigid LL Type Body	2	10	
LL200	2" Rigid LL Type Body	1	5	
LL250	2-1/2" Rigid LL Type Body	-	1	
LL300	3" Rigid LL Type Body	-	1	
LL350	3-1/2" Rigid LL Type Body	-	1	
LL400	4" Rigid LL Type Body	-	1	

RIGID/IMC CONDUIT BODIES

APPLICATIONS

- For use with threaded Rigid/IMC conduit for pulling access or to split a run into multiple directions. Removable cover included with complete assemblies allow access for maintenance and making taps and splices to conductors.

PRODUCT FEATURES

- Durable die-cast aluminum construction
- Premium powder coat finish
- Complete assemblies include a NBR synthetic rubber gasket and a stamped aluminum cover with combination head screws

COMPLIANCES

- cULus File E331564
- 2014 NEC® compliant
- NEMA 3R rated



EMT CONDUIT BODIES

APPLICATIONS

- For use with EMT conduit for pulling access or to split a run into multiple directions. Removable cover included with complete assemblies allow access for maintenance and making taps and splices to conductors.

PRODUCT FEATURES

- Durable die-cast aluminum construction
- Premium powder coat finish
- Combination head set screws
- Complete assemblies include a NBR synthetic rubber gasket and a stamped aluminum cover with combination head screws

COMPLIANCES

- cULus File E331564
- 2014 NEC® compliant
- NEMA 3R rated



CATALOG #	DESCRIPTION	UNIT CTN QTY	SHIP CTN QTY	BARCODE
Threaded Conduit Fittings: LR Assembly				
RLR050	1/2" Rigid LR Assembly	-	5	
RLR075	3/4" Rigid LR Assembly	-	5	
RLR100	1" Rigid LR Assembly	-	5	
RLR125	1-1/4" Rigid LR Assembly	-	2	
RLR150	1-1/2" Rigid LR Assembly	-	2	
RLR200	2" Rigid LR Assembly	-	2	
RLR250	2-1/2" Rigid LR Assembly	-	1	
RLR300	3" Rigid LR Assembly	-	1	
RLR350	3-1/2" Rigid LR Assembly	-	1	
RLR400	4" Rigid LR Assembly	-	1	
Threaded Conduit Fittings: LR Body				
LR050	1/2" Rigid LR Type Body	10	100	
LR075	3/4" Rigid LR Type Body	10	50	
LR100	1" Rigid LR Type Body	5	25	
LR125	1-1/4" Rigid LR Type Body	2	10	
LR150	1-1/2" Rigid LR Type Body	2	10	
LR200	2" Rigid LR Type Body	1	5	
LR250	2-1/2" Rigid LR Type Body	-	1	
LR300	3" Rigid LR Type Body	-	1	
LR350	3-1/2" Rigid LR Type Body	-	1	
LR400	4" Rigid LR Type Body	-	1	

CATALOG #	DESCRIPTION	UNIT CTN QTY	SHIP CTN QTY	BARCODE
Threaded Conduit Fittings: T Assembly				
RLT050	1/2" Rigid T Assembly	-	5	
RLT075	3/4" Rigid T Assembly	-	5	
RLT100	1" Rigid T Assembly	-	5	
RLT125	1-1/4" Rigid T Assembly	-	2	
RLT150	1-1/2" Rigid T Assembly	-	2	
RLT200	2" Rigid T Assembly	-	2	
RLT250	2-1/2" Rigid T Assembly	-	1	
RLT300	3" Rigid T Assembly	-	1	
RLT350	3-1/2" Rigid T Assembly	-	1	
RLT400	4" Rigid T Assembly	-	1	
Threaded Conduit Fittings: T Body				
T050	1/2" Rigid T Type Body	10	100	
T075	3/4" Rigid T Type Body	10	50	
T100	1" Rigid T Type Body	5	25	
T125	1-1/4" Rigid T Type Body	2	10	
T150	1-1/2" Rigid T Type Body	2	10	
T200	2" Rigid T Type Body	-	2	
T250	2-1/2" Rigid T Type Body	-	1	
T300	3" Rigid T Type Body	-	1	
T350	3-1/2" Rigid T Type Body	-	1	
T400	4" Rigid T Type Body	-	1	

CATALOG #	DESCRIPTION	UNIT CTN QTY	SHIP CTN QTY	BARCODE
Threaded Service Entrance Elbow				
RSLB050	1/2" Rigid SLB	-	10	
RSLB075	3/4" Rigid SLB	-	5	
RSLB100	1" Rigid SLB	-	3	
RSLB125	1-1/4" Rigid SLB	-	2	
RSLB150	1-1/2" Rigid SLB	-	2	
RSLB200	2" Rigid SLB	-	2	

CATALOG #	DESCRIPTION	UNIT CTN QTY	SHIP CTN QTY	BARCODE
EMT Conduit Fittings: LB Assembly				
EALB050	1/2" EMT LB Assembly	10	100	
EALB075	3/4" EMT LB Assembly	10	50	
EALB100	1" EMT LB Assembly	5	25	
EALB125	1-1/4" EMT LB Assembly	2	10	
EALB150	1-1/2" EMT LB Assembly	2	10	
EALB200	2" EMT LB Assembly	1	5	
EALB250	2-1/2" EMT LB Assembly	-	1	
EALB300	3" EMT LB Assembly	-	1	
EALB350	3-1/2" EMT LB Assembly	-	1	
EALB400	4" EMT LB Assembly	-	1	
EMT Conduit Fittings: LB Body				
ELB050	1/2" EMT LB Type Body	10	100	
ELB075	3/4" EMT LB Type Body	10	50	
ELB100	1" EMT LB Type Body	5	25	
ELB125	1-1/4" EMT LB Type Body	2	10	
ELB150	1-1/2" EMT LB Type Body	2	10	
ELB200	2" EMT LB Type Body	1	5	
ELB250	2-1/2" EMT LB Type Body	-	1	
ELB300	3" EMT LB Type Body	-	1	
ELB350	3-1/2" EMT LB Type Body	-	1	
ELB400	4" EMT LB Type Body	-	1	

CATALOG #	DESCRIPTION	UNIT CTN QTY	SHIP CTN QTY	BARCODE
EMT Conduit Fittings: C Assembly				
EAC050	1/2" EMT C Assembly	10	100	
EAC075	3/4" EMT C Assembly	5	50	
EAC100	1" EMT C Assembly	5	25	
EAC125	1-1/4" EMT C Assembly	5	25	
EAC150	1-1/2" EMT C Assembly	5	10	
EAC200	2" EMT C Assembly	1	5	
EAC250	2-1/2" EMT C Assembly	-	1	
EAC300	3" EMT C Assembly	-	1	
EAC350	3-1/2" EMT C Assembly	-	1	
EAC400	4" EMT C Assembly	-	1	

CATALOG #	DESCRIPTION	UNIT CTN QTY	SHIP CTN QTY	BARCODE
EMT Conduit Fittings: C Body				
EC050	1/2" EMT C Type Body	10	100	
EC075	3/4" EMT C Type Body	10	50	
EC100	1" EMT C Type Body	5	25	
EC125	1-1/4" EMT C Type Body	2	10	
EC150	1-1/2" EMT C Type Body	2	10	
EC200	2" EMT C Type Body	1	5	
EC250	2-1/2" EMT C Type Body	-	1	
EC300	3" EMT C Type Body	-	1	
EC350	3-1/2" EMT C Type Body	-	1	
EC400	4" EMT C Type Body	-	1	
EMT Conduit Fittings: LL Assembly				
EALL050	1/2" EMT LL Assembly	10	100	
EALL075	3/4" EMT LL Assembly	5	50	
EALL100	1" EMT LL Assembly	5	25	
EALL125	1-1/4" EMT LL Assembly	2	10	
EALL150	1-1/2" EMT LL Assembly	2	10	
EALL200	2" EMT LL Assembly	1	5	
EALL250	2-1/2" EMT LL Assembly	-	1	
EALL300	3" EMT LL Assembly	-	1	
EALL350	3-1/2" EMT LL Assembly	-	1	
EALL400	4" EMT LL Assembly	-	1	

CATALOG #	DESCRIPTION	UNIT CTN QTY	SHIP CTN QTY	BARCODE
EMT Conduit Fittings: LL Body				
ELL050	1/2" EMT LL Type Body	10	100	
ELL075	3/4" EMT LL Type Body	10	50	
ELL100	1" EMT LL Type Body	5	25	
ELL125	1-1/4" EMT LL Type Body	2	10	
ELL150	1-1/2" EMT LL Type Body	2	10	
ELL200	2" EMT LL Type Body	1	5	
ELL250	2-1/2" EMT LL Type Body	-	1	
ELL300	3" EMT LL Type Body	-	1	
ELL350	3-1/2" EMT LL Type Body	-	1	
ELL400	4" EMT LL Type Body	-	1	

EMT CONDUIT BODIES

APPLICATIONS

- For use with EMT conduit for pulling access or to split a run into multiple directions. Removable cover included with complete assemblies allow access for maintenance and making taps and splices to conductors.

PRODUCT FEATURES

- Durable die-cast aluminum construction
- Premium powder coat finish
- Combination head set screws
- Complete assemblies include a NBR synthetic rubber gasket and a stamped aluminum cover with combination head screws

COMPLIANCES

- cULus File E331564
- 2014 NEC® compliant
- NEMA 3R rated



EALR050 - EALR400



ELR050 - ELR400



EAT050 - EAT400



ET050 - ET400

COMBO (RIGID/IMC OR EMT) BODIES

APPLICATIONS

- For use with threaded Rigid/IMC or EMT conduit for pulling access or to split a run into multiple directions. Removable cover included with complete assemblies allow access for maintenance and making taps and splices to conductors.

PRODUCT FEATURES

- Durable die-cast aluminum construction
- Premium powder coat finish
- Combination head set screws
- Complete assemblies include a NBR synthetic rubber gasket and a stamped aluminum cover with combination head screws

COMPLIANCES

- cULus File E331564
- 2014 NEC® compliant
- NEMA 3R rated



COLB050 - COLB200



CLB050 - CLB200



COC050 - COC200



CC050 - CC200

CATALOG #	DESCRIPTION	UNIT CTN QTY	SHIP CTN QTY	BARCODE
EMT Conduit Fittings: LR Assembly				
EALR050	1/2" EMT LR Assembly	10	100	
EALR075	3/4" EMT LR Assembly	5	10	
EALR100	1" EMT LR Assembly	5	25	
EALR125	1-1/4" EMT LR Assembly	2	10	
EALR150	1-1/2" EMT LR Assembly	2	10	
EALR200	2" EMT LR Assembly	1	5	
EALR250	2-1/2" EMT LR Assembly	-	1	
EALR300	3" EMT LR Assembly	-	1	
EALR350	3-1/2" EMT LR Assembly	-	1	
EALR400	4" EMT LR Assembly	-	1	
EMT Conduit Fittings: LR Body				
ELR050	1/2" EMT LR Type Body	10	100	
ELR075	3/4" EMT LR Type Body	10	50	
ELR100	1" EMT LR Type Body	5	25	
ELR125	1-1/4" EMT LR Type Body	2	10	
ELR150	1-1/2" EMT LR Type Body	2	10	
ELR200	2" EMT LR Type Body	1	5	
ELR250	2-1/2" EMT LR Type Body	-	1	
ELR300	3" EMT LR Type Body	-	1	
ELR350	3-1/2" EMT LR Type Body	-	1	
ELR400	4" EMT LR Type Body	-	1	

CATALOG #	DESCRIPTION	UNIT CTN QTY	SHIP CTN QTY	BARCODE
EMT Conduit Fittings: T Assembly				
EAT050	1/2" EMT T Assembly	10	50	
EAT075	3/4" EMT T Assembly	10	50	
EAT100	1" EMT T Assembly	5	25	
EAT125	1-1/4" EMT T Assembly	2	10	
EAT150	1-1/2" EMT T Assembly	2	10	
EAT200	2" EMT T Assembly	-	2	
EAT250	2-1/2" EMT T Assembly	-	1	
EAT300	3" EMT T Assembly	-	1	
EAT350	3-1/2" EMT T Assembly	-	1	
EAT400	4" EMT T Assembly	-	1	
EMT Conduit Fittings: T Body				
ET050	1/2" EMT T Type Body	10	100	
ET075	3/4" EMT T Type Body	10	50	
ET100	1" EMT T Type Body	5	25	
ET125	1-1/4" EMT T Type Body	2	10	
ET150	1-1/2" EMT T Type Body	2	10	
ET200	2" EMT T Type Body	-	2	
ET250	2-1/2" EMT T Type Body	-	1	
ET300	3" EMT T Type Body	-	1	
ET350	3-1/2" EMT T Type Body	-	1	
ET400	4" EMT T Type Body	-	1	

CATALOG #	DESCRIPTION	UNIT CTN QTY	SHIP CTN QTY	BARCODE
Combo Conduit Fittings: LB Assembly				
COLB050	1/2" Combo LB Assembly	10	100	
COLB075	3/4" Combo LB Assembly	10	50	
COLB100	1" Combo LB Assembly	5	25	
COLB125	1-1/4" Combo LB Assembly	2	10	
COLB150	1-1/2" Combo LB Assembly	2	10	
COLB200	2" Combo LB Assembly	-	5	
Combo Conduit Fittings: LB Body				
CLB050	1/2" Combo LB Type Body	10	100	
CLB075	3/4" Combo LB Type Body	10	50	
CLB100	1" Combo LB Type Body	5	25	
CLB125	1-1/4" Combo LB Type Body	2	10	
CLB150	1-1/2" Combo LB Type Body	2	10	
CLB200	2" Combo LB Type Body	-	5	

CATALOG #	DESCRIPTION	UNIT CTN QTY	SHIP CTN QTY	BARCODE
Combo Conduit Fittings: C Assembly				
COC050	1/2" Combo C Assembly	10	100	
COC075	3/4" Combo C Assembly	10	50	
COC100	1" Combo C Assembly	5	25	
COC125	1-1/4" Combo C Assembly	2	10	
COC150	1-1/2" Combo C Assembly	2	10	
COC200	2" Combo C Assembly	-	5	
Combo Conduit Fittings: C Body				
CC050	1/2" Combo C Type Body	10	100	
CC075	3/4" Combo C Type Body	10	50	
CC0100	1" Combo C Type Body	5	25	
CC0125	1-1/4" Combo C Type Body	2	10	
CC0150	1-1/2" Combo C Type Body	2	10	
CC200	2" Combo C Type Body	-	5	

COMBO (RIGID/IMC OR EMT) BODIES

APPLICATIONS

- For use with EMT conduit for pulling access or to split a run into multiple directions. Removable cover included with complete assemblies allow access for maintenance and making taps and splices to conductors.

PRODUCT FEATURES

- Durable die-cast aluminum construction
- Premium powder coat finish
- Combination head set screws
- Complete assemblies include a NBR synthetic rubber gasket and a stamped aluminum cover with combination head screws

COMPLIANCES

- cULus File E331564
- 2014 NEC® compliant
- NEMA 3R rated



CONDUIT BODY COVERS



APPLICATIONS

- For use with TayMac threaded Rigid/IMC, EMT, or Combo conduit bodies.

PRODUCT FEATURES

- Covers made of durable stamped steel or aluminum construction
- Retained combination head screws included with covers
- Gasket made of NBR synthetic rubber

COMPLIANCES

- cULus File E331564
- 2014 NEC® compliant
- NEMA 3R rated

CATALOG #	DESCRIPTION	UNIT CTN QTY	SHIP CTN QTY	BARCODE
Combo Conduit Fittings: LL Assembly				
COLL050	1/2" Combo LL Assembly	10	100	
COLL075	3/4" Combo LL Assembly	10	50	
COLL100	1" Combo LL Assembly	5	25	
COLL125	1-1/4" Combo LL Assembly	2	10	
COLL150	1-1/2" Combo LL Assembly	2	10	
COLL200	2" Combo LL Assembly	-	5	
Combo Conduit Fittings: LL Body				
CLL050	1/2" Combo LL Type Body	10	100	
CLL075	3/4" Combo LL Type Body	10	50	
CLL100	1" Combo LL Type Body	5	25	
CLL125	1-1/4" Combo LL Type Body	2	10	
CLL150	1-1/2" Combo LL Type Body	2	10	
CLL200	2" Combo LL Type Body	-	5	
Combo Conduit Fittings: LR Assembly				
COLR050	1/2" Combo LR Assembly	10	100	
COLR075	3/4" Combo LR Assembly	10	50	
COLR100	1" Combo LR Assembly	5	25	
COLR125	1-1/4" Combo LR Assembly	2	10	
COLR150	1-1/2" Combo LR Assembly	2	10	
COLR200	2" Combo LR Assembly	-	5	

CATALOG #	DESCRIPTION	UNIT CTN QTY	SHIP CTN QTY	BARCODE
EMT Conduit Fittings: LR Body				
CLR050	1/2" Combo LR Type Body	10	100	
CLR075	3/4" Combo LR Type Body	10	50	
CLR100	1" Combo LR Type Body	5	25	
CLR125	1-1/4" Combo LR Type Body	2	10	
CLR150	1-1/2" Combo LR Type Body	2	10	
CLR200	2" Combo LR Type Body	-	5	
Combo Conduit Fittings: T Assembly				
COT050	1/2" Combo T Assembly	10	100	
COT075	3/4" Combo T Assembly	10	50	
COT100	1" Combo T Assembly	5	25	
COT125	1-1/4" Combo T Assembly	2	10	
COT150	1-1/2" Combo T Assembly	2	10	
COT200	2" Combo T Assembly	-	5	
Combo Conduit Fittings: T Body				
CT050	1/2" Combo T Type Body	10	100	
CT075	3/4" Combo T Type Body	10	50	
CT100	1" Combo T Type Body	5	25	
CT125	1-1/4" Combo T Type Body	2	10	
CT150	1-1/2" Combo T Type Body	2	10	
CT200	2" Combo T Type Body	-	5	

CATALOG #	DESCRIPTION	UNIT CTN QTY	SHIP CTN QTY	BARCODE
Conduit Body Stamped Steel Covers				
SSC050	1/2" Stamped Steel Cover	25	250	
SSC075	3/4" Stamped Steel Cover	25	250	
SSC100	1" Stamped Steel Cover	10	100	
SSC125	1-1/4" Stamped Steel Cover	-	25	
SSC150	1-1/2" Stamped Steel Cover	-	25	
SSC200	2" Stamped Steel Cover	-	25	
SSC250	2-1/2" Stamped Steel Cover	-	10	
SSC300	3" Stamped Steel Cover	-	10	
SSC350	3-1/2" Stamped Steel Cover	-	5	
SSC400	4" Stamped Steel Cover	-	5	
Conduit Body Stamped Aluminum Covers				
CSC050	1/2" Stamped Alum. Cover	-	100	
CSC075	3/4" Stamped Alum. Cover	-	100	
CSC100	1" Stamped Alum. Cover	-	50	
CSC125	1-1/4" Stamped Alum. Cover	-	50	
CSC150	1-1/2" Stamped Alum. Cover	-	25	
CSC200	2" Stamped Alum. Cover	-	10	
CSC250	2-1/2" Stamped Alum. Cover	-	10	
CSC300	3" Stamped Alum. Cover	-	10	
CSC350	3-1/2" Stamped Alum. Cover	-	10	
CSC400	4" Stamped Alum. Cover	-	10	

CATALOG #	DESCRIPTION	UNIT CTN QTY	SHIP CTN QTY	BARCODE
Conduit Body Gaskets				
CRG050	1/2" Rubber Gasket	-	500	
CRG075	3/4" Rubber Gasket	-	500	
CRG100	1" Rubber Gasket	-	500	
CRG125	1-1/4" Rubber Gasket	-	200	
CRG150	1-1/2" Rubber Gasket	-	200	
CRG200	2" Rubber Gasket	-	100	
CRG250	2-1/2" Rubber Gasket	-	50	
CRG300	3" Rubber Gasket	-	50	
CRG350	3-1/2" Rubber Gasket	-	50	
CRG400	4" Rubber Gasket	-	50	

UNIVERSAL CONDUIT BODIES

APPLICATIONS

- For rigid/IMC or EMT. Configures to all standard bodies (LB, LR, LL, T, C)

PRODUCT FEATURES

- Unique interchangeable panels can be configured to LB, LR, LL, T or C
- Suitable for weatherproof installs
- Use set screws for EMT conduit, and threaded hubs for threaded Rigid/IMC conduit or fittings
- Available in trade sizes 1/2", 3/4" and 1"
- Lightweight, Durable TAYMAC TUFF Die Cast Aluminum Construction
- Seamless pre-affixed gasket and self-aligning covers/panels
- More wiring capacity than standard bodies and meets 2014 NEC 314.16(C)(2) for volume marking
- Tri-combo head set screws
- Unique design lends to easy, time-saving installations
- Captive screws with attached O-ring for ease of use and a weatherproof seal
- Includes 4 steel reducer bushings in the 1" size – (2) 1" to 3/4", (2) 1" to 1/2"; (2) 3/4" to 1/2" bushings in the 3/4" size
- Not suitable for use in hazardous location applications
- Includes (1) body, (3) blank covers/panels, (1) T panel, (1) LL/LB/LR panel, reducer bushings*, (1) closure plug and extra hardware

COMPLIANCES

- eUL File E331564
- NEC® and NEMA 3 compliant

10-in-1
CONFIGURATIONS

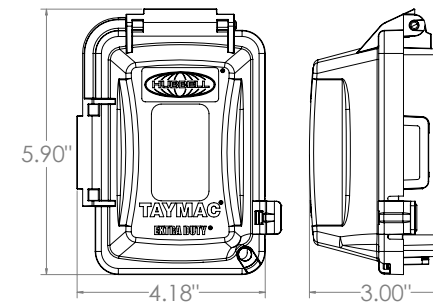


* 1/2" trade size does not include reducer bushings.

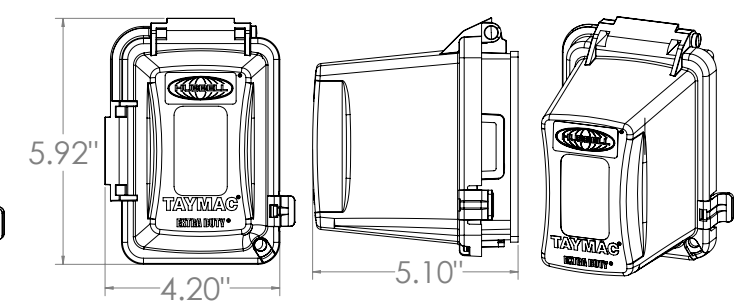
CATALOG #	DESCRIPTION	VOLUME	SHIP CTN QTY	PKG. TYPE	BARCODE
U-Conduit 10-in-1 Universal Conduit Body					
UCB050	1/2" Universal Conduit Body	5.8 cu in (95 cc)	10	Shrink Wrap	
UCB075	3/4" Universal Conduit Body	9.5 cu in (156 cc)	10	Shrink Wrap	
UCB100	1" Universal Conduit Body	14.3 cu in (234 cc)	10	Shrink Wrap	

NONMETALLIC IN-USE COVERS

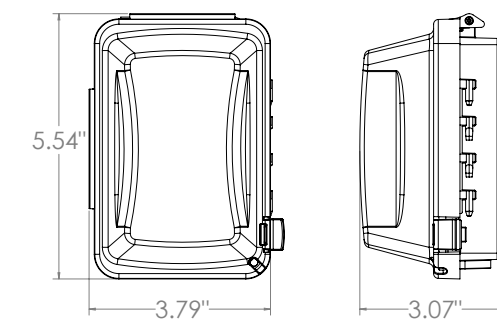
MM420



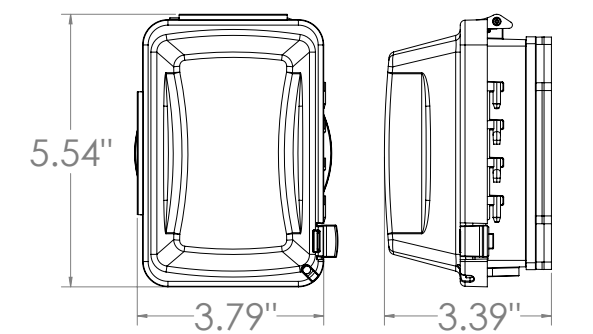
MM720



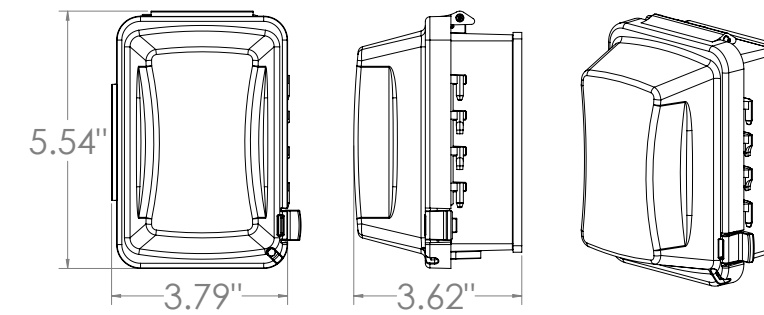
MM410



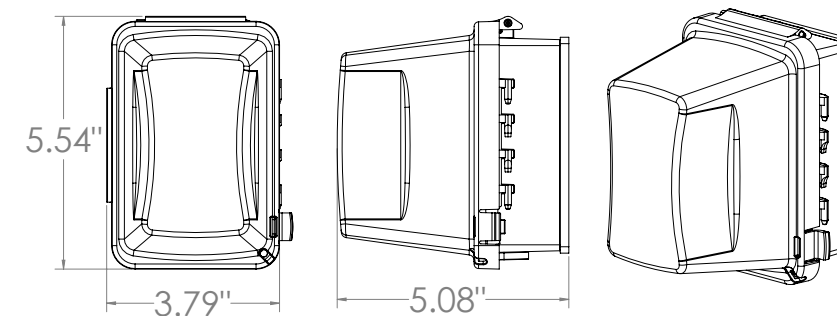
MM410CA (Round Box Adapter Plate)



MM510

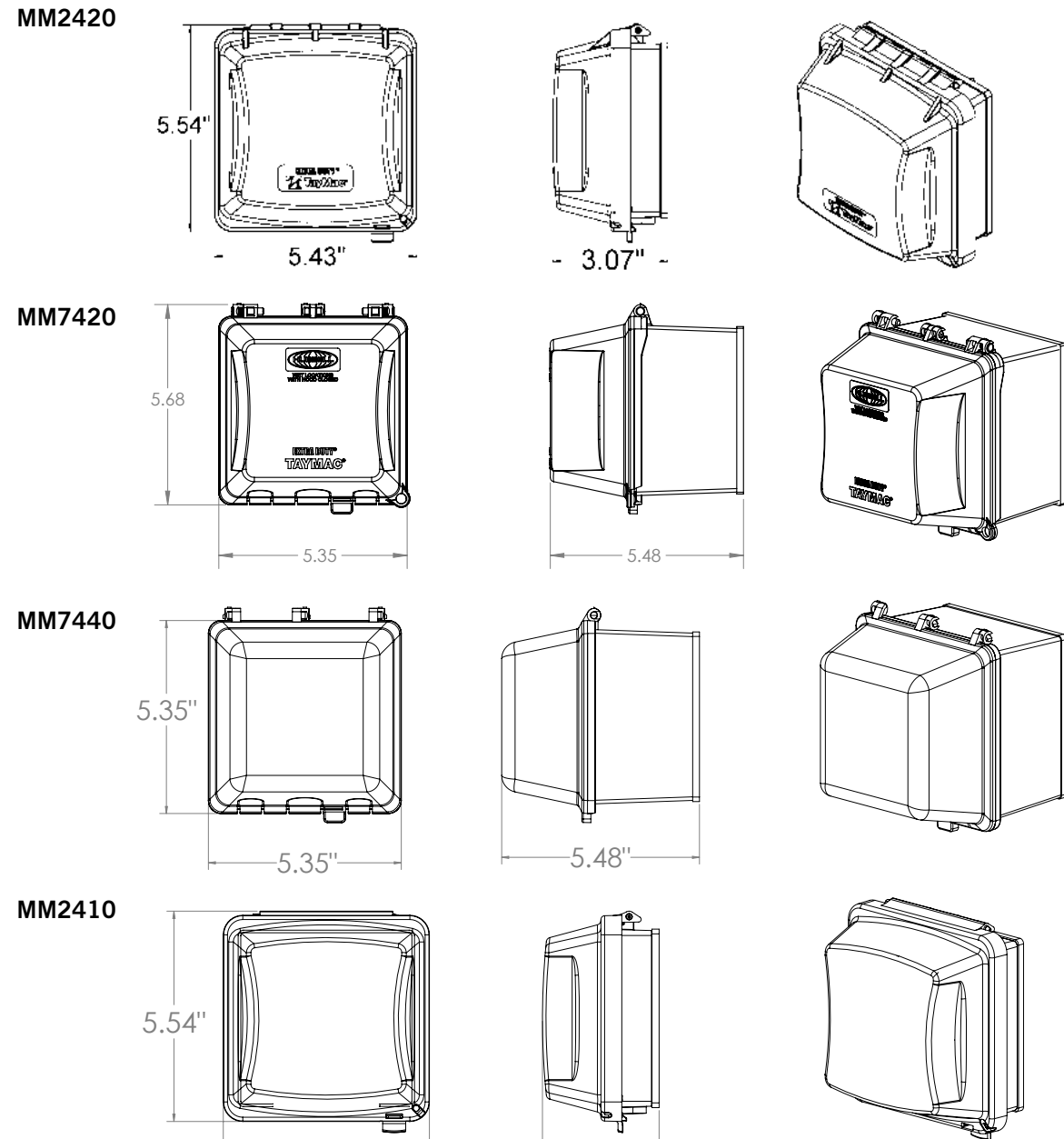


MM710

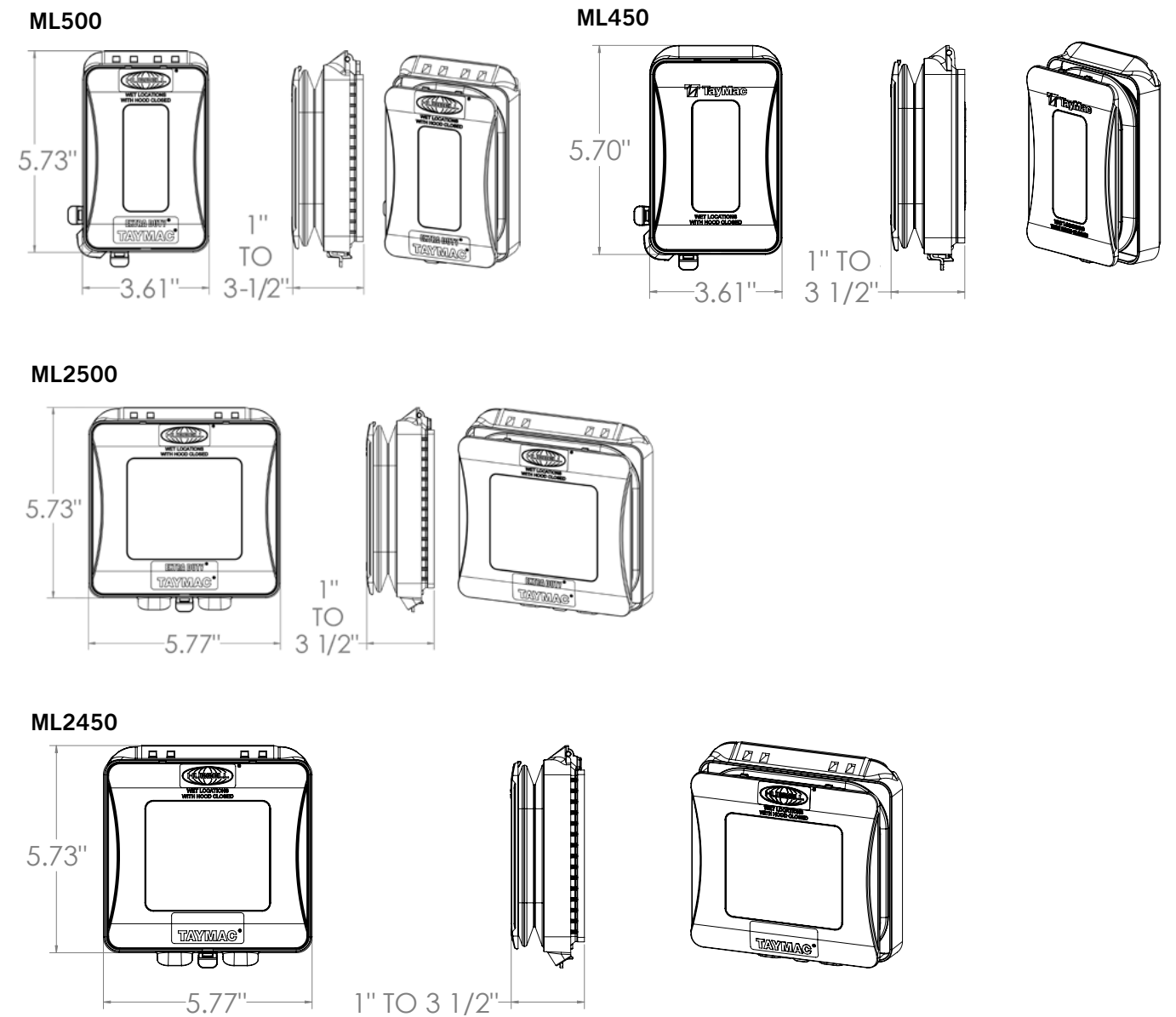


SEE END OF SECTION (PG C40) FOR DETAILED DRAWINGS >>

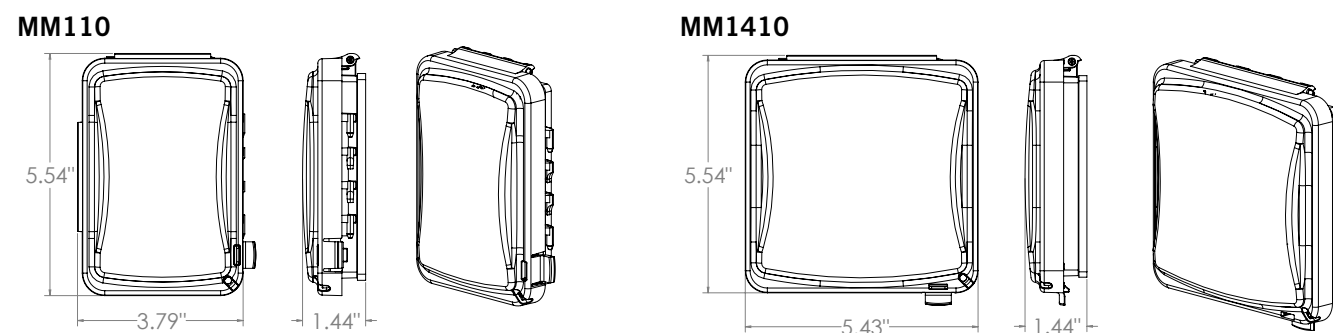
NONMETALLIC IN-USE COVERS



FLAT EXPANDABLE IN-USE COVERS



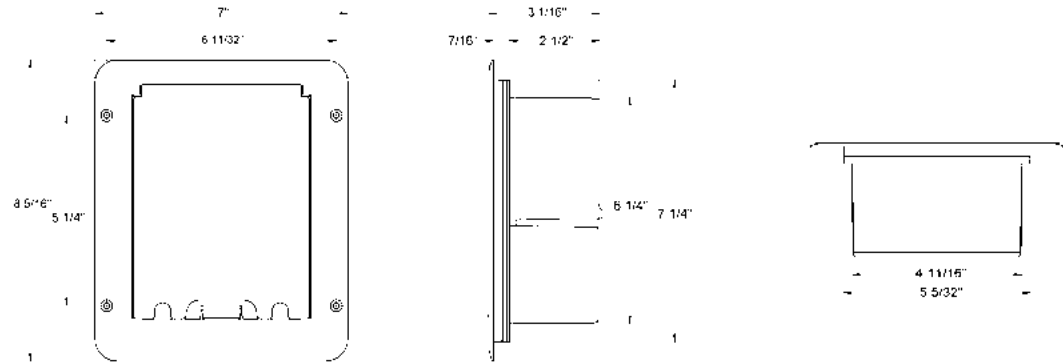
NONMETALLIC FLAT COVERS



OPTIONAL SIDING FLANGE

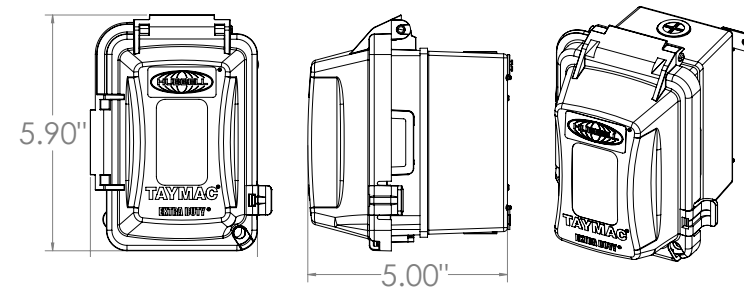
OUTDOOR OUTLET COVERS

DOC320
DOCKG320



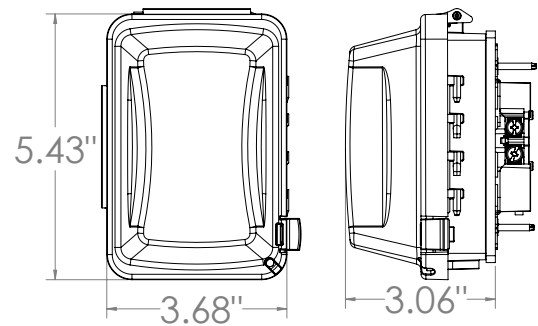
IN-USE COVER COMPLETE KITS

MKG420C

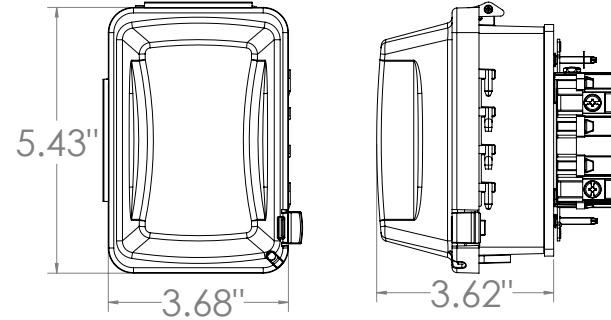


IN-USE COVER COMBOS

MD410

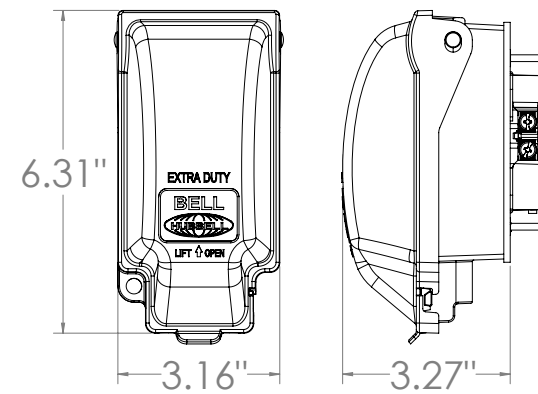


MG510

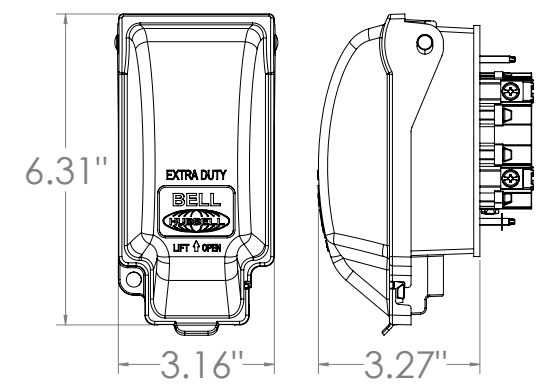


METAL IN-USE COVER COMBOS

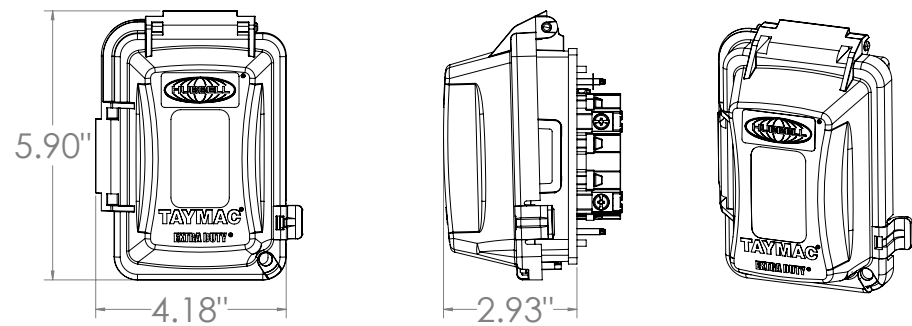
MD5881



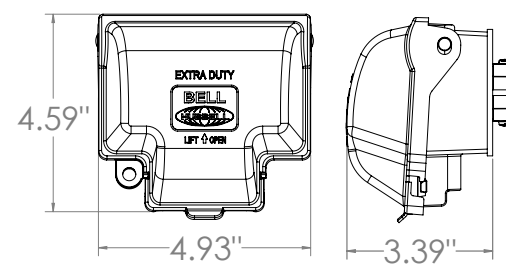
MG5881



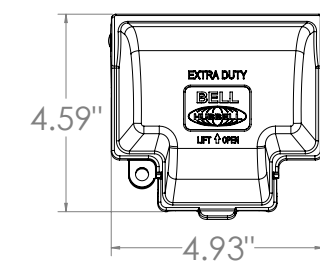
MG420



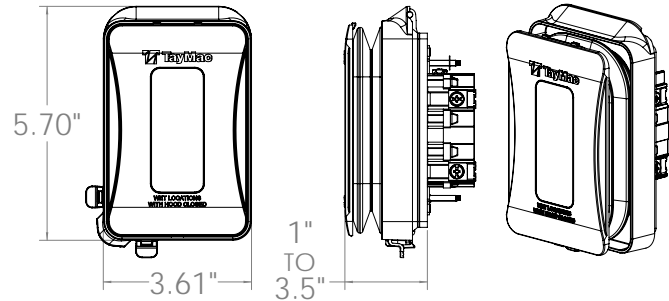
MD5802



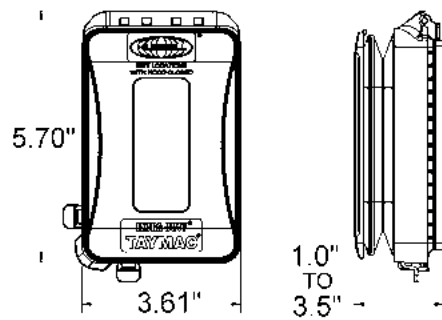
MG5802



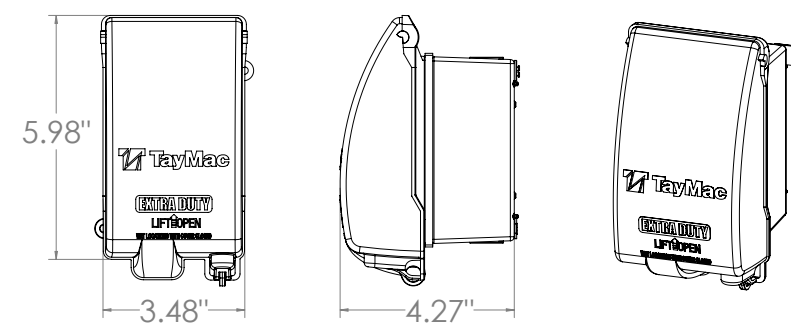
MD450



MG500



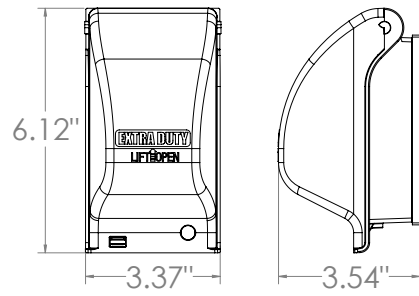
MKG4280S



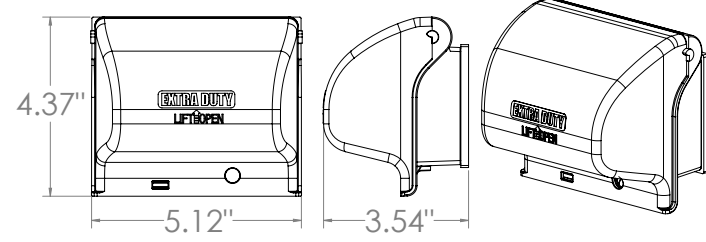
METAL IN-USE COVERS

ACCESSORIES

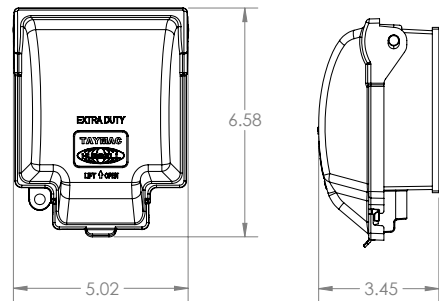
MX3200



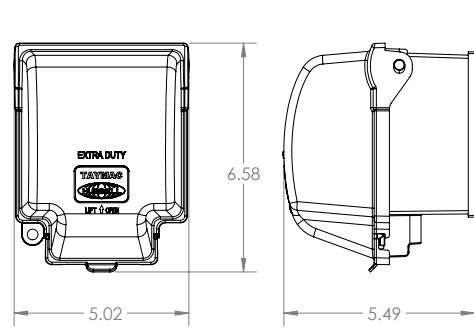
MX3300



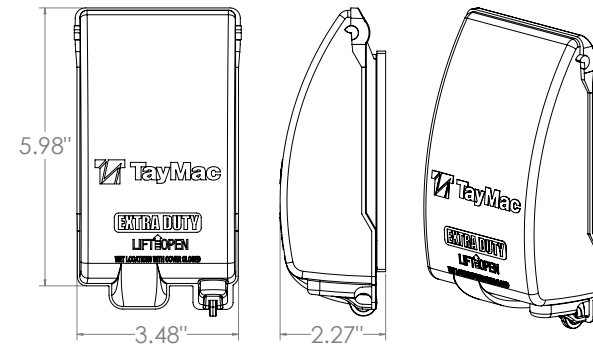
MX6200



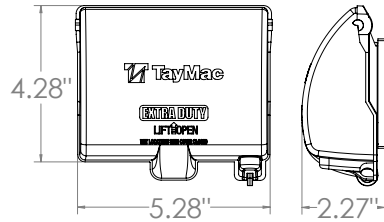
MX7200



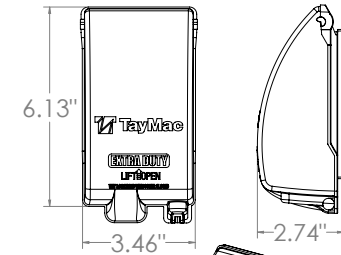
MX4280S



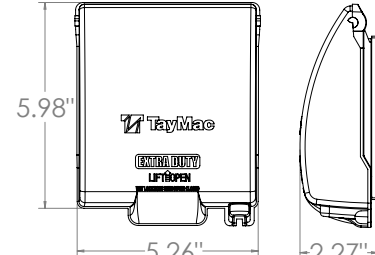
MX4380S



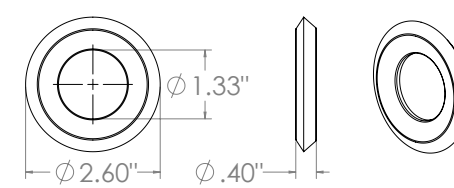
MX5280S



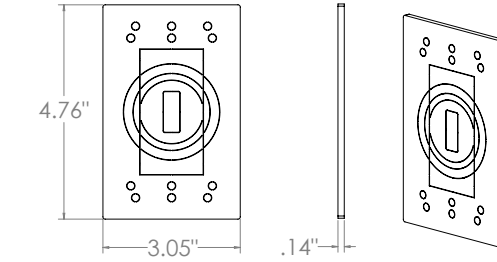
MX7280S



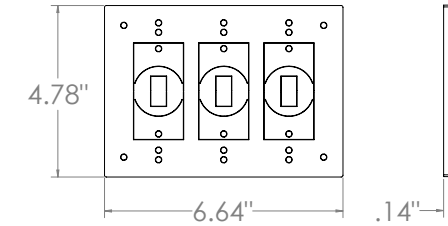
GK240



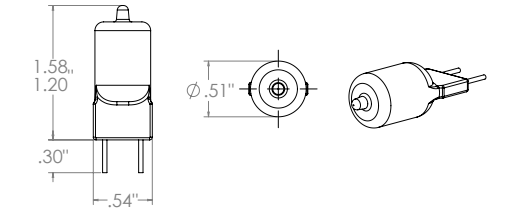
GS100



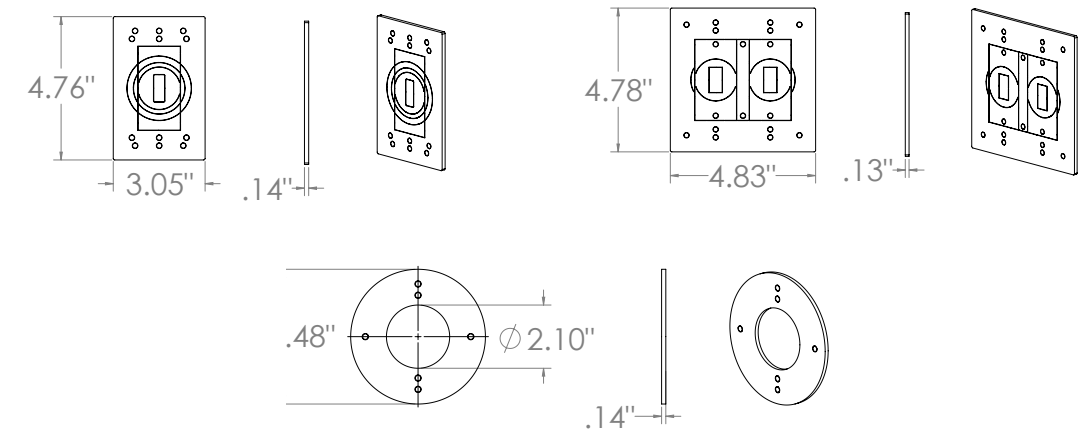
GS400



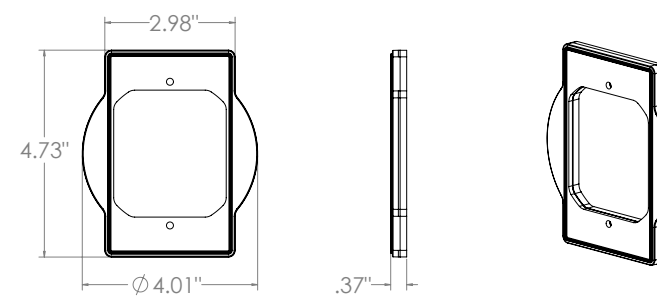
HB75W



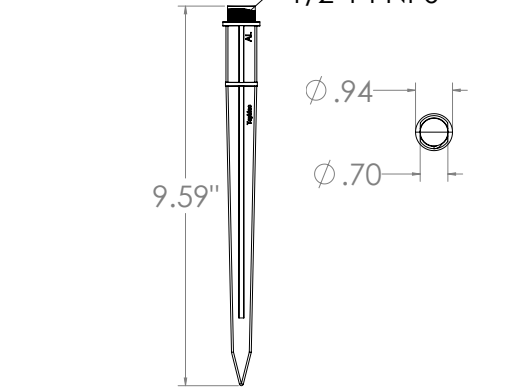
GK300



PRBA400G



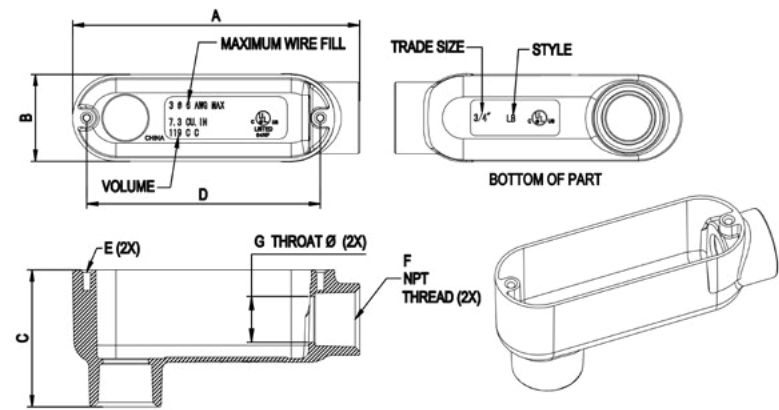
SG100S



CONDUIT BODIES

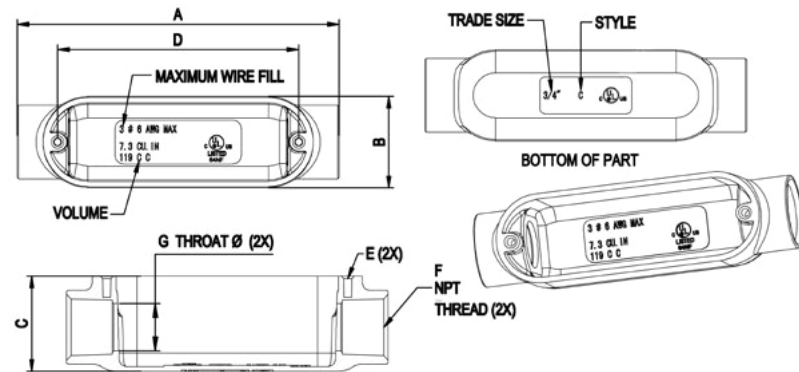
RLB/LB

TRADE SIZE	CATALOG NUMBER	A	B	C	D ±0.010 (.25)	E TAPPED HOLES	F NPT THREAD	G THROAT DIA +0/-0.020(0.51)	VOLUME	MAXIMUM WIRE FILL
1/2"	RLB050	4.31	1.34	2.09	3.500	#8-32UNC-2B	1/2-14NPT	0.612	4.3 CU.IN	
		109.5	34.0	53.1	88.90			15.54	70 CC	
3/4"	RLB075	5.08	1.56	2.39	4.125	#8-32UNC-2B	3/4-14NPT	0.814	7.3 CU.IN	3 # 6 AWG MAX
		129.0	39.6	60.7	104.78			20.68	119 CC	
1"	RLB100	5.92	1.82	2.78	4.830	#8-32UNC-2B	1-11 1/2NPT	1.039	12.0 CU.IN	3 # 4 AWG MAX
		150.4	46.2	70.6	122.68			26.39	196 CC	
1-1/4"	RLB125	7.82	2.51	3.52	6.500	#12-24UNC-2B	1-1/4-11 1/2NPT	1.370	32.3 CU.IN	3 # 2 AWG MAX
		198.6	63.8	89.4	165.10			34.80	529 CC	
1-1/2"	RLB150	7.82	2.51	3.52	6.500	#12-24UNC-2B	1-1/2-11 1/2NPT	1.600	34.2 CU.IN	3 # 2 AWG MAX
		198.6	63.8	89.4	165.10			40.64	560 CC	
2"	RLB200	10.05	3.19	4.51	8.562	#12-24UNC-2B	2-11 1/2NPT	2.057	71.4 CU.IN	3 # 2/0 MAX
		255.3	81.0	114.6	217.47			52.25	1170 CC	
2-1/2"	RLB250	12.83	4.49	5.31	11.250	#5/16UNC-2B	2-1/2-8NPT	2.459	157.4 CU.IN	3 # 4/0 MAX
		325.9	114.0	134.9	285.75			62.46	2579 CC	
3"	RLB300	12.83	4.49	5.91	11.250	#5/16UNC-2B	3-8NPT	3.058	179.8 CU.IN	3 # 250 MAX
		325.9	114.0	150.1	285.75			77.67	2946 CC	
3-1/2"	RLB350	15.65	5.55	7.09	13.687	#5/16UNC-2B	3-1/2-8NPT	3.538	323.0 CU.IN	3 # 250 MAX
		397.5	141.0	180.1	347.65			89.87	5293 CC	
4"	RLB400	15.65	5.55	7.09	13.687	#5/16UNC-2B	4-8NPT	4.016	323.0 CU.IN	3 # 250 MAX
		397.5	141.0	180.1	347.65			102.01	5293 CC	



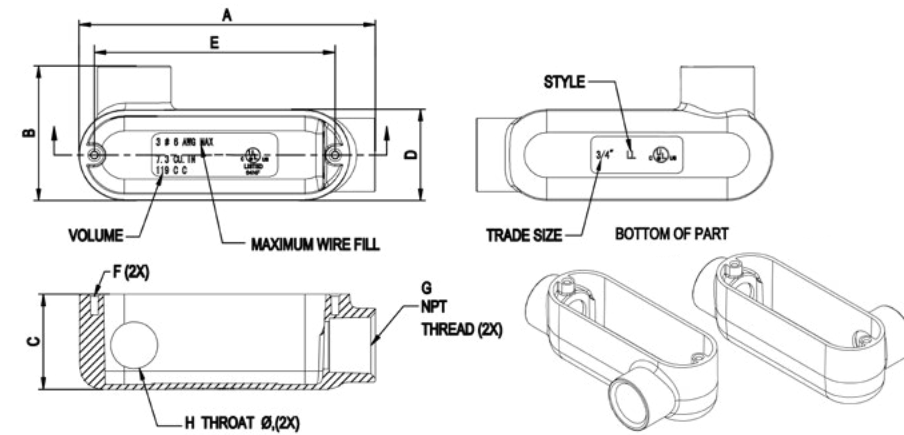
RLC/RC

TRADE SIZE	CATALOG NUMBER	A	B	C	D ±0.010 (.25)	E TAPPED HOLES	F NPT THREAD	G THROAT DIA +0/-0.020(0.51)	VOLUME	MAXIMUM WIRE FILL
1/2"	RLC050	4.72	1.34	1.36	3.500	#8-32UNC-2B	1/2-14NPT	0.612	4.3 CU.IN	
		119.9	34.0	34.5	88.90			15.54	70 CC	
3/4"	RLC075	5.51	1.56	1.63	4.125	#8-32UNC-2B	3/4-14NPT	0.814	7.3 CU.IN	3 # 6 AWG MAX
		140.0	39.6	41.3	104.78			20.68	119 CC	
1"	RLC100	6.46	1.82	1.89	4.830	#8-32UNC-2B	1-11 1/2NPT	1.039	12.0 CU.IN	3 # 4 AWG MAX
		164.1	46.2	48.0	122.68			26.39	196 CC	
1-1/4"	RLC125	8.35	2.51	2.50	6.500	#12-24UNC-2B	1-1/4-11 1/2NPT	1.370	32.3 CU.IN	3 # 2 AWG MAX
		212.1	63.8	63.5	165.10			34.80	529 CC	
1-1/2"	RLC150	8.35	2.51	2.50	6.500	#12-24UNC-2B	1-1/2-11 1/2NPT	1.600	34.2 CU.IN	3 # 2 AWG MAX
		212.1	63.8	63.5	165.10			40.64	560 CC	
2"	RLC200	10.55	3.19	3.41	8.562	#12-24UNC-2B	2-11 1/2NPT	2.057	71.4 CU.IN	3 # 2/0 MAX
		268.0	81.0	86.6	217.47			52.25	1170 CC	
2-1/2"	RLC250	13.46	4.49	3.98	11.250	#5/16UNC-2B	2-1/2-8NPT	2.459	157.4 CU.IN	3 # 4/0 MAX
		341.9	114.0	101.1	285.75			62.46	2579 CC	
3"	RLC300	13.46	4.49	4.53	11.250	#5/16UNC-2B	3-8NPT	3.058	179.8 CU.IN	3 # 250 MAX
		341.9	114.0	115.1	285.75			77.67	2946 CC	
3-1/2"	RLC350	16.30	5.55	5.59	13.687	#5/16UNC-2B	3-1/2-8NPT	3.538	323.0 CU.IN	3 # 250 MAX
		414.0	141.0	142.0	347.65			89.87	5293 CC	
4"	RLC400	16.30	5.55	5.59	13.687	#5/16UNC-2B	4-8NPT	4.016	323.0 CU.IN	3 # 250 MAX
		414.0	141.0	142.0	347.65			102.01	5293 CC	



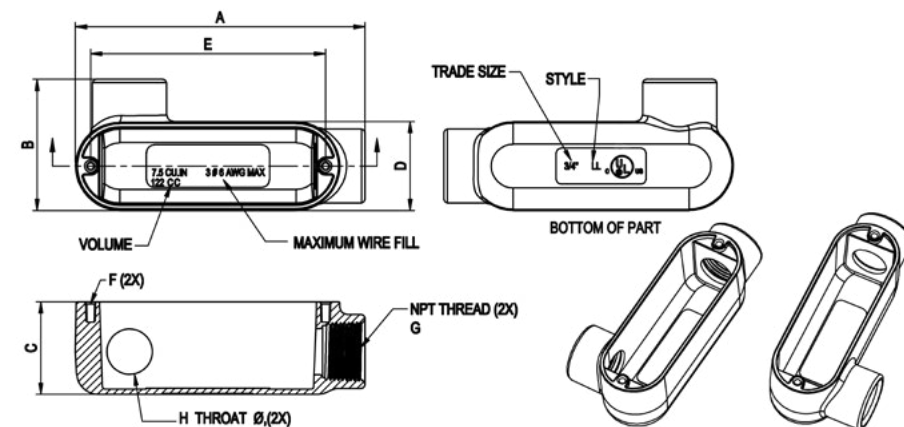
RLL/LL

TRADE SIZE	CATALOG NUMBER	A	B	C	D	E ±0.010 (.25)	F TAPPED HOLES	G NPT THREAD	H THROAT DIA +0/-0.020(0.51)	VOLUME	MAXIMUM WIRE FILL
1/2"	RLL050	4.31	2.03	1.36	1.34	3.500	#8-32UNC-2B	1/2-14NPT	0.612	4.3 CU.IN	
		109.5	51.6	34.5	34.0	88.90			15.54	70 CC	
3/4"	RLL075	5.08	2.30	1.63	1.56	4.125	#8-32UNC-2B	3/4-14NPT	0.814	7.3 CU.IN	3 # 6 AWG MAX
		129.0	58.4	41.3	39.6	104.78			20.68	119 CC	
1"	RLL100	5.92	2.68	1.89	1.82	4.830	#8-32UNC-2B	1-11 1/2NPT	1.039	12.0 CU.IN	3 # 4 AWG MAX
		150.4	68.1	48.0	46.2	122.68			26.39	196 CC	
1-1/4"	RLL125	7.82	3.52	2.50	2.51	6.500	#12-24UNC-2B	1-1/4-11 1/2NPT	1.370	32.3 CU.IN	3 # 2 AWG MAX
		198.6	89.4	63.5	63.8	165.10			34.80	529 CC	
1-1/2"	RLL150	7.82	3.52	2.50	2.51	6.500	#12-24UNC-2B	1-1/2-11 1/2NPT	1.600	34.2 CU.IN	3 # 2 AWG MAX
		198.6	89.4	63.5	63.8	165.10			40.64	560 CC	
2"	RLL200	10.05	4.27	3.41	3.19	8.562	#12-24UNC-2B	2-11 1/2NPT	2.057	71.4 CU.IN	3 # 2/0 MAX
		255.3	108.5	86.6	81.0	217.47			52.25	1170 CC	
2-1/2"	RLL250	12.83	5.89	3.98	4.49	11.250	#5/16UNC-2B	2-1/2-8NPT	2.459	157.4 CU.IN	3 # 4/0 MAX
		325.9	149.6	101.1	114.0	285.75			62.46	2579 CC	
3"	RLL300	12.83	5.89	4.53	4.49	11.250	#5/16UNC-2B	3-8NPT	3.058	179.8 CU.IN	3 # 250 MAX
		325.9	149.6	115.1	114.0	285.75			77.67	2946 CC	
3-1/2"	RLL350	15.65	7.66	5.59	5.55	13.687	#5/16UNC-2B	3-1/2-8NPT	3.538	323.0 CU.IN	3 # 250 MAX
		397.5	194.6	142.0	141.0	347.65			89.87	5293 CC	
4"	RLL400	15.65	7.66	5.59	5.55	13.687	#5/16UNC-2B	4-8NPT	4.016	323.0 CU.IN	3 # 250 MAX
		397.5	194.6	142.0	141.0	347.65			102.01	5293 CC	



RLR/LR

TRADE SIZE	CATALOG NUMBER	A	B	C	D	E ±0.010 (.25)	F TAPPED HOLES	G NPT THREAD	H THROAT DIA +0/-0.020(0.51)	VOLUME	MAXIMUM WIRE FILL
1/2"	RLR050	4.31	2.03	1.36	1.34	3.500	#8-32UNC-2B	1/2-14NPT	0.612	4.3 CU.IN	
		109.5	51.6	34.5	34.0	88.90			15.54	70 CC	
3/4"	RLR075	5.08	2.30	1.63	1.56	4.125	#8-32UNC-2B	3/4-14NPT	0.814	7.3 CU.IN	3 # 6 AWG MAX
		129.0	58.4	41.3	39.6	104.78			20.68	119 CC	
1"	RLR100	5.92	2.68	1.89	1.82	4.830	#8-32UNC-2B	1-11 1/2NPT	1.039	12.0 CU.IN	3 # 4 AWG MAX
		150.4	68.1	48.0	46.2	122.68			26.39	196 CC	
1-1/4"	RLR125	7.82	3.52	2.50	2.51	6.500	#12-24UNC-2B	1-1/4-11 1/2NPT	1.370	32.3 CU.IN	3 # 2 AWG MAX
		198.6	89.4	63.5	63.8	165.10			34.80	529 CC	
1-1/2"	RLR150	7.82	3.52	2.50	2.51	6.500	#12-24UNC-2B	1-1/2-11 1/2NPT	1.600	34.2 CU.IN	3 # 2 AWG MAX
		198.6	89.4	63.5	63.8	165.10			40.64	560 CC	
2"	RLR200	10.05	4.27	3.41	3.19	8.562	#12-24UNC-2B	2-11 1/2NPT	2.057	71.4 CU.IN	3 # 2/0 MAX
		255.3	108.5	86.6	81.0	217.47			52.25	1170 CC	
2-1/2"	RLR250	12.83	5.89	3.98	4.49	11.250	#5/16UNC-2B	2-1/2-8NPT	2.459	157.4 CU.IN	3 # 4/0 MAX
		325.9	149.6	101.1	114.0	285.75			62.46	2579 CC	
3"	RLR300	12.83	5.89	4.53	4.49	11.250	#5/16UNC-2B	3-8NPT	3.058	179.8 CU.IN	3 # 250 MAX
		325.9	149.6	115.1	114.0	285.75			77.67	2946 CC	
3-1/2"	RLR350	15.65	7.66	5.59	5.55	13.687	#5/16UNC-2B	3-1/2-8NPT	3.538	323.0 CU.IN	3 # 250 MAX
		397.5	194.6	142.0	141.0	347.65			89.87	5293 CC	
4"	RLR400	15.65	7.66	5.59	5.55	13.687	#5/16UNC-2B	4-8NPT	4.016	323.0 CU.IN	3 # 250 MAX
		397.5	194.6	142.0	141.0	347.65			102.01	5293 CC	

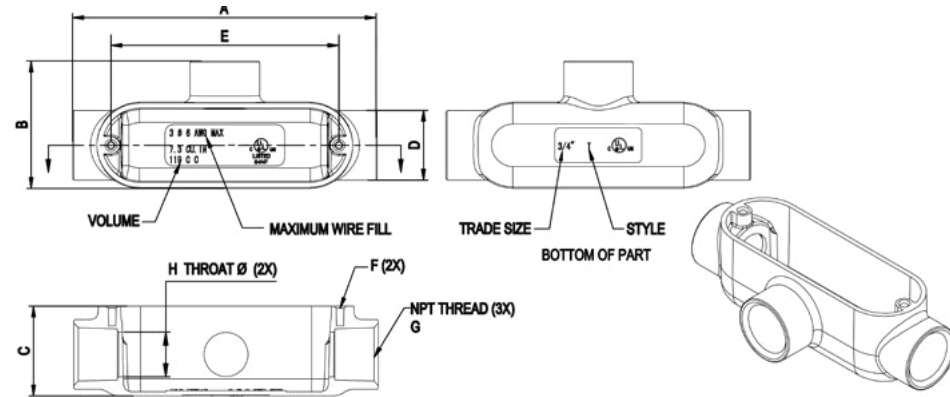


RLB/RLC/RLL/RLR/RLT (cover plate)

TRADE SIZE	A	B	C	D ±0.02	E	F	G
1/2"	3.900	1.340	0.070	3.500	2.890	0.827	0.181
	99.1	34.0	1.8	88.9	73.4	21.0	4.6
3/4"	4.665	1.535	0.070	4.126	3.465	0.886	0.181
	118.5	39.0	1.8	104.8	88.0	22.5	4.6
1"	5.374	1.732	0.070	4.831	4.291	1.398	0.181
	136.5	44.0	1.8	122.7	109.0	35.5	4.6
1-1/4"	7.283	2.500	0.070	6.500	5.827	1.437	0.181
	185.0	63.5	1.8	165.1	148.0	36.5	4.6
1-1/2"	7.283	2.500	0.070	6.500	5.827	1.437	0.181
	185.0	63.5	1.8	165.1	148.0	36.5	4.6
2"	9.488	3.150	0.070	8.563	7.539	1.732	0.181
	241.0	80.0	1.8	217.5	191.5	44.0	4.6
2-1/2"	12.205	4.528	0.098	11.25	10.236	2.362	0.197
	310.0	115.0	2.5	285.8	260.0	60.0	5.0
3"	12.205						

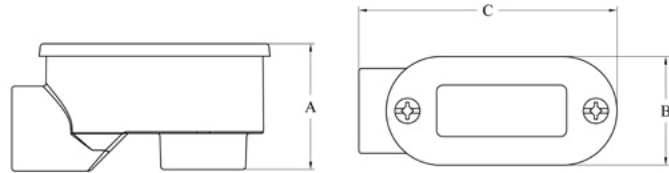
RLT/T

TRADE SIZE	CATALOG NUMBER	A	B	C	D	E ±0.010(25)	F TAPPED HOLES	G NPT THREAD	H THROAT DIA +0/-0.020(0.51)	VOLUME	MAXIMUM WIRE FILL
1/2"	RLT050	4.72	2.03	1.36	1.34	3.500	#8-32UNC-2B	1/2-14NPT	0.612	4.3 CU.IN 70 CC	
3/4"	RLT075	5.51	2.30	1.63	1.56	4.125	#8-32UNC-2B	3/4-14NPT	0.814	7.3 CU.IN 119 CC	3 # 6 AWG MAX
1"	RLT100	6.46	2.68	1.89	1.82	4.830	#8-32UNC-2B	1-11 1/2NPT	1.039	12.0 CU.IN 196 CC	3 # 4 AWG MAX
1-1/4"	RLT125	8.35	3.52	2.51	2.51	6.500	#12-24UNC-2B	1-1/4-11 1/2NPT	1.370	32.3 CU.IN 529 CC	3 # 2 AWG MAX
1-1/2"	RLT150	10.55	4.27	3.41	3.19	8.562	#12-24UNC-2B	1-1/2-11 1/2NPT	1.600	34.2 CU.IN 560 CC	3 # 2 AWG MAX
2"	RLT200	13.46	5.89	4.49	4.49	11.250	#5/16UNC-2B	2-11 1/2NPT	2.459	157.4 CU.IN 2579 CC	3 # 2/0 MAX
2-1/2"	RLT250	16.30	7.66	5.59	5.55	13.687	#5/16UNC-2B	3-1/2-8NPT	3.538	323.0 CU.IN 5293 CC	3 # 250 MAX
3"	RLT300	19.15	9.52	7.09	7.09	16.000	#5/16UNC-2B	4-8NPT	4.016	323.0 CU.IN 5293 CC	3 # 250 MAX
3-1/2"	RLT350	22.00	11.39	8.46	8.46	18.500	#5/16UNC-2B				
4"	RLT400	24.85	13.26	9.53	9.53	21.000	#5/16UNC-2B				



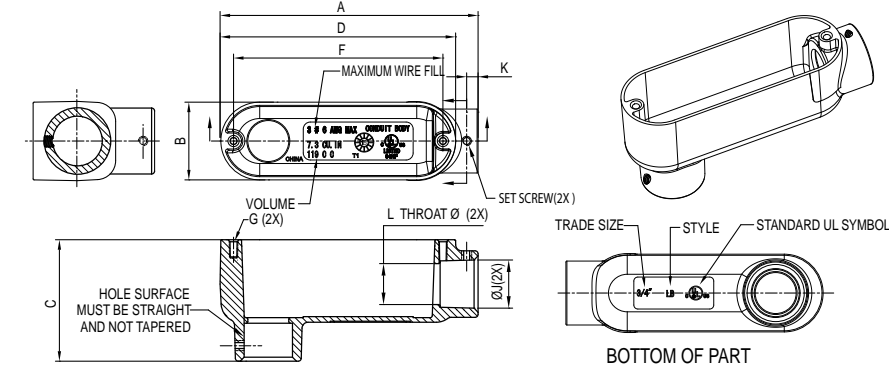
RSLB

CATALOG NUMBER	CONDUIT SIZE	A	B	C
RSLB050	1/2"	1.587	1.366	3.26
RSLB075	3/4"	1.878	1.693	3.663
RSLB100	1"	2.087	1.917	4.272
RSLB125	1-1/4"	2.579	2.39	5.506
RSLB150	1-1/2"	2.697	2.654	6.217
RSLB200	2"	3.075	3.122	6.715



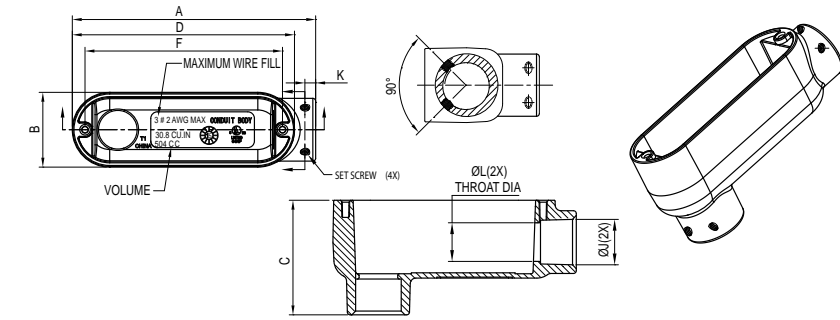
EALB/ELB

TRADE SIZE	CATALOG NUMBER	A	B	C	D	F ±0.010(25)	G TAPPED HOLES	ØJ	K	ØL	VOLUME	MAXIMUM WIRE FILL	SET SCREW (2X)
1/2"	ELB050	4.31	1.34	2.09	3.30	3.500	#8-32UNC-2B	0.721	0.225	0.812	4.3 CU.IN 70 CC		#12-24UNCX0.30(7.62) LONG
3/4"	ELB075	5.08	1.56	2.39	4.83	4.125	#8-32UNC-2B	0.925	0.225	0.814	7.3 CU.IN 119 CC	3 # 6 AWG MAX	#12-24UNCX0.30(7.62) LONG
1"	ELB100	5.92	1.82	2.78	5.35	4.830	#8-32UNC-2B	1.178	0.225	1.039	12.0 CU.IN 196 CC	3 # 4 AWG MAX	#12-24UNCX0.30(7.62) LONG



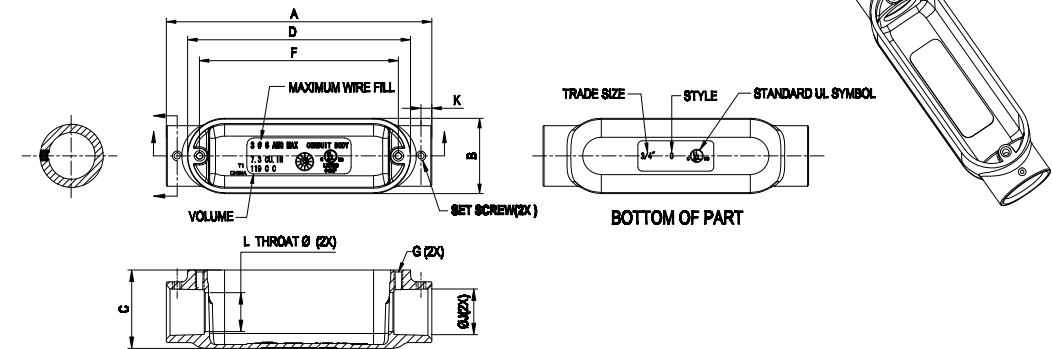
EALB/ELB (cont.)

TRADE SIZE	CATALOG NUMBER	A	B	C	D	F ±0.010(25)	G TAPPED HOLES	ØJ	K	ØL	VOLUME	MAXIMUM WIRE FILL	SET SCREW (4X)
1-1/4"	ELB125	7.82	2.51	3.52	7.24	6.500	#12-24UNC-2B	1.525	0.280	1.370	30.8 CU.IN 504 CC	3 # 2 AWG MAX	#12-24UNCX0.30(7.62) LONG
1-1/2"	ELB150	10.05	3.19	4.51	9.49	8.562	#12-24UNC-2B	2.212	0.350	2.025	87.0 CU.IN 1406 CC	3 # 2 AWG MAX	#12-24UNCX0.30(7.62) LONG
2"	ELB200	12.83	4.49	6.31	12.20	11.250	#16UNC-2B	2.895	0.375	2.660	157.3 CU.IN 2579 CC	3 # 2/0 MAX	#5/16-24UNFX055(14.0) LONG
2-1/2"	ELB250	15.65	5.55	7.09	15.0	13.687	#16UNC-2B	3.520	0.500	3.755	179.8 CU.IN 2946 CC	3 # 250 MAX	#5/16-24UNFX055(14.0) LONG
3"	ELB300	18.50	6.46	8.46	18.50	16.000	#16UNC-2B	4.055	0.500	4.295	323.0 CU.IN 5293 CC	3 # 250 MAX	#5/16-24UNFX055(14.0) LONG
3-1/2"	ELB350	21.35	7.37	9.53	21.35	18.500	#16UNC-2B	4.525	0.500	4.765	323.0 CU.IN 5293 CC	3 # 250 MAX	#5/16-24UNFX055(14.0) LONG
4"	ELB400	24.20	8.28	10.60	24.20	21.000	#16UNC-2B	5.000	0.500	5.240	323.0 CU.IN 5293 CC	3 # 250 MAX	#5/16-24UNFX055(14.0) LONG

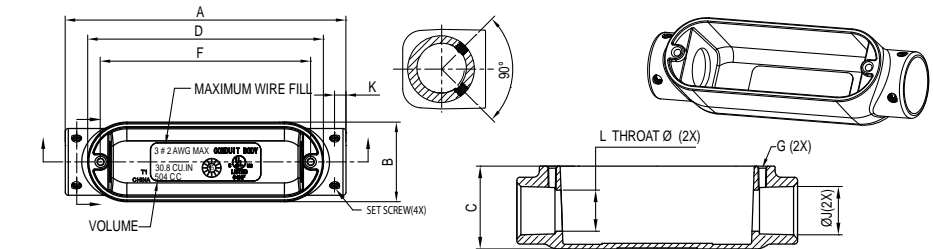


EAC/EC

TRADE SIZE	CATALOG NUMBER	A	B	C	D	F ±0.010(25)	G TAPPED HOLES	ØJ	K	ØL	VOLUME	MAXIMUM WIRE FILL	SET SCREW(2X)
1/2"	EC050	4.31	1.34	2.09	3.30	3.500	#8-32UNC-2B	0.721	0.225	0.812	4.3 CU.IN 70 CC		#12-24UNCX0.30(7.62) LONG
3/4"	EC075	5.08	1.56	2.39	4.83	4.125	#8-32UNC-2B	0.925	0.225	0.814	7.3 CU.IN 119 CC	3 # 6 AWG MAX	#12-24UNCX0.30(7.62) LONG
1"	EC100	5.92	1.82	2.78	5.35	4.830	#8-32UNC-2B	1.178	0.225	1.039	12.0 CU.IN 196 CC	3 # 4 AWG MAX	#12-24UNCX0.30(7.62) LONG

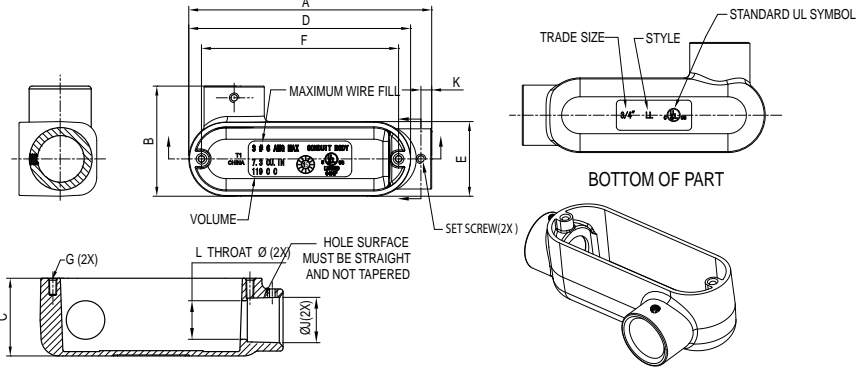


TRADE SIZE	CATALOG NUMBER	A	B	C	D	F ±0.010(25)	G TAPPED HOLES	ØJ	K	ØL	VOLUME	MAXIMUM WIRE FILL	SET SCREW (4X)
1-1/4"	EC125	7.82	2.51	3.52	7.24	6.500	#12-24UNC-2B	1.525	0.280	1.370	30.8 CU.IN 504 CC	3 # 2 AWG MAX	#12-24UNCX0.30(7.62) LONG
1-1/2"	EC150	10.05	3.19	4.51	9.49	8.562	#12-24UNC-2B	2.212	0.350	2.025	87.0 CU.IN 1406 CC	3 # 2 AWG MAX	#12-24UNCX0.30(7.62) LONG
2"	EC200	12.83	4.49	6.31	12.20	11.250	#16UNC-2B	2.895	0.375	2.660	157.3 CU.IN 2579 CC	3 # 2/0 MAX	#5/16-24UNFX055(14.0) LONG
2-1/2"	EC250	15.65	5.55	7.09	15.0	13.687	#16UNC-2B	3.520	0.500	3.755	179.8 CU.IN 2946 CC	3 # 250 MAX	#5/16-24UNFX055(14.0) LONG
3"	EC300	18.50	6.46	8.46	18.50	16.000	#16UNC-2B	4.055	0.500	4.295	323.0 CU.IN 5293 CC	3 # 250 MAX	#5/16-24UNFX055(14.0) LONG
3-1/2"	EC350	21.35	7.37	9.53	21.35	18.500	#16UNC-2B	4.525	0.500	4.765	323.0 CU.IN 5293 CC	3 # 250 MAX	#5/16-24UNFX055(14.0) LONG
4"	EC400	24.20	8.28	10.60	24.20	21.000	#16UNC-2B	5.000	0.500	5.240	323.0 CU.IN 5293 CC	3 # 250 MAX	#5/16-24UNFX055(14.0) LONG

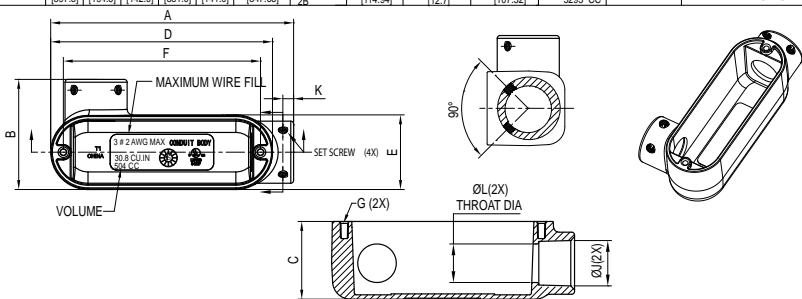


EALL/EL

TRADE SIZE	CATALOG NUMBER	A	B	C	D	E	F	G TAPPED HOLES	Ø	K	ØL	VOLUME	MAXIMUM WIRE FILL	SET SCREW (2X)
1/2"	ELL050	4.31	2.03	1.36	3.90	1.34	3.500	#8-32UNC-2B	0.721	0.225	0.612	4.3 CU IN 70 CC	#12-24UNCX0.30(7.62) LONG	
3/4"	ELL075	5.08	2.30	1.626	4.63	1.56	4.125	#8-32UNC-2B	0.955	0.225	0.814	7.3 CU IN 120.288 CC	#12-24UNCX0.30(7.62) LONG	
1"	ELL100	5.92	2.68	1.89	5.35	1.82	4.830	#8-32UNC-2B	1.176	0.225	1.039	12.0 CU IN 196 CC	#12-24UNCX0.30(7.62) LONG	

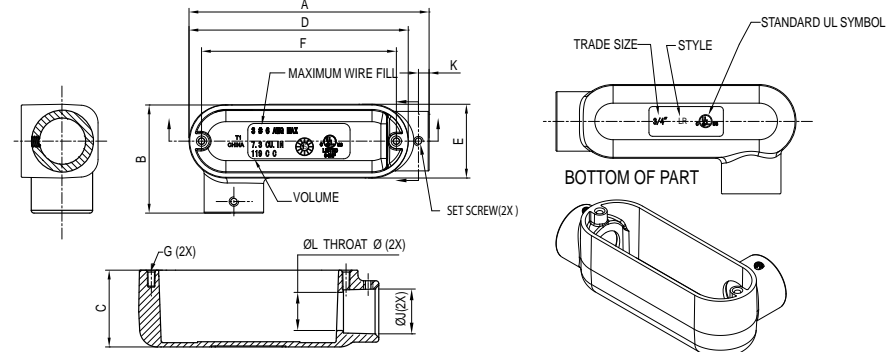


TRADE SIZE	CATALOG NUMBER	A	B	C	D	E	F	G TAPPED HOLES	Ø	K	ØL	VOLUME	MAXIMUM WIRE FILL	SET SCREW (4X)
1-1/4"	ELL125	7.82	3.52	2.50	7.24	2.51	6.500	#12-24UNC-2B	1.525	0.260	1.370	30.8 CU IN 504 CC	3 # 2 AWG MAX	#12-24UNCX0.30(7.62) LONG
1-1/2"	ELL150	8.85	3.82	2.80	7.24	2.51	6.500	#12-24UNC-2B	1.755	0.338	1.600	39.8 CU IN 648 CC	3 # 2 AWG MAX	#12-24UNCX0.30(7.62) LONG
2"	ELL200	10.05	4.27	3.41	9.49	3.19	8.562	#12-24UNC-2B	2.212	0.350	2.025	67.0 CU IN 1119.3 CC	3 # 2/0 MAX	#5/16-24UNFX055(14.0) LONG
2-1/2"	ELL250	12.83	5.89	3.98	12.20	4.49	11.250	#16UNC-2B	2.895	0.375	2.660	157.3 CU IN 2678 CC	3 # 250 MAX	#5/16-24UNFX055(14.0) LONG
3"	ELL300	15.65	7.86	5.59	15.0	5.55	13.887	#16UNC-2B	3.530	0.375	3.277	179.8 CU IN 2948 CC	3 # 250 MAX	#5/16-24UNFX055(14.0) LONG
3-1/2"	ELL350	18.87	9.51	6.89	18.0	6.89	16.410	#16UNC-2B	4.265	0.500	3.755	323.0 CU IN 5293 CC	3 # 250 MAX	#5/16-24UNFX055(14.0) LONG
4"	ELL400	21.65	11.19	8.19	21.0	8.19	18.867	#16UNC-2B	5.000	0.500	4.225	323.0 CU IN 5293 CC	3 # 250 MAX	#5/16-24UNFX055(14.0) LONG



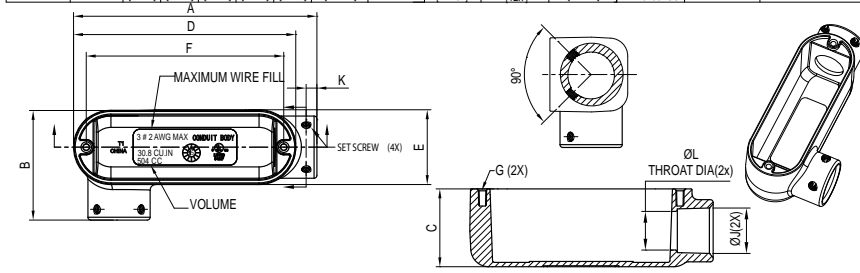
EALR/ELR

TRADE SIZE	CATALOG NUMBER	A	B	C	D	E	F	G TAPPED HOLES	Ø	K	ØL	VOLUME	MAXIMUM WIRE FILL	SET SCREW (2X)
1/2"	ELR050	4.31	2.03	1.36	3.90	1.34	3.500	#8-32UNC-2B	0.721	0.225	0.612	4.3 CU IN 70 CC	#12-24UNCX0.30(7.62) LONG	
3/4"	ELR075	5.08	2.30	1.626	4.63	1.56	4.125	#8-32UNC-2B	0.955	0.225	0.814	7.3 CU IN 120.288 CC	#12-24UNCX0.30(7.62) LONG	
1"	ELR100	5.92	2.68	1.89	5.35	1.82	4.830	#8-32UNC-2B	1.176	0.225	1.039	12.0 CU IN 196 CC	#12-24UNCX0.30(7.62) LONG	



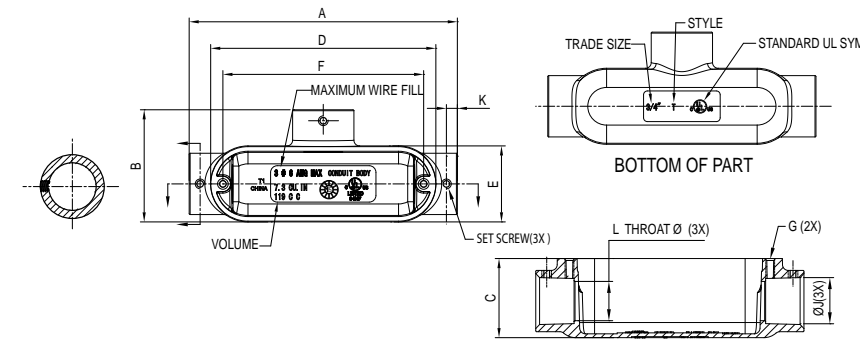
EALR/ELR (cont.)

TRADE SIZE	CATALOG NUMBER	A	B	C	D	E	F	G TAPPED HOLES	Ø	K	ØL	VOLUME	MAXIMUM WIRE FILL	SET SCREW (4X)
1-1/4"	ELR125	7.82	3.52	2.50	7.24	2.51	6.500	#12-24UNC-2B	1.525	0.260	1.370	30.8 CU IN 504 CC	3 # 2 AWG MAX	#12-24UNCX0.30(7.62) LONG
1-1/2"	ELR150	8.85	3.82	2.80	7.24	2.51	6.500	#12-24UNC-2B	1.755	0.338	1.600	39.8 CU IN 648 CC	3 # 2 AWG MAX	#12-24UNCX0.30(7.62) LONG
2"	ELR200	10.05	4.27	3.41	9.49	3.19	8.562	#12-24UNC-2B	2.212	0.350	2.025	67.0 CU IN 1119.3 CC	3 # 2/0 MAX	#5/16-24UNFX055(14.0) LONG
2-1/2"	ELR250	12.83	5.89	3.98	12.20	4.49	11.250	#16UNC-2B	2.895	0.375	2.660	157.3 CU IN 2678 CC	3 # 250 MAX	#5/16-24UNFX055(14.0) LONG
3"	ELR300	15.65	7.86	5.59	15.0	5.55	13.887	#16UNC-2B	3.530	0.375	3.277	179.8 CU IN 2948 CC	3 # 250 MAX	#5/16-24UNFX055(14.0) LONG
3-1/2"	ELR350	18.87	9.51	6.89	18.0	6.89	16.410	#16UNC-2B	4.265	0.500	3.755	323.0 CU IN 5293 CC	3 # 250 MAX	#5/16-24UNFX055(14.0) LONG
4"	ELR400	21.65	11.19	8.19	21.0	8.19	18.867	#16UNC-2B	5.000	0.500	4.225	323.0 CU IN 5293 CC	3 # 250 MAX	#5/16-24UNFX055(14.0) LONG

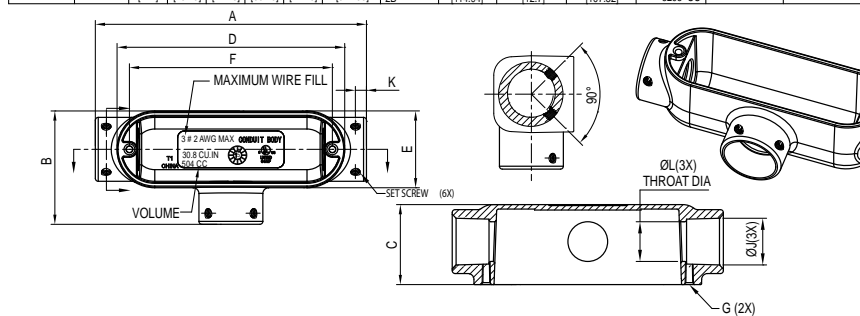


EAT/ET

TRADE SIZE	CATALOG NUMBER	A	B	C	D	E	F	G TAPPED HOLES	Ø	K	ØL	VOLUME	MAXIMUM WIRE FILL	SET SCREW(3X)
1/2"	ET050	4.22	2.03	1.36	3.90	1.34	3.500	#8-32UNC-2B	0.721	0.225	0.612	4.3 CU IN 70 CC	#12-24UNCX0.30(7.62) LONG	
3/4"	ET075	5.01	2.30	1.626	4.63	1.56	4.125	#8-32UNC-2B	0.955	0.225	0.814	7.3 CU IN 120.288 CC	3 # 6 AWG MAX	#12-24UNCX0.30(7.62) LONG
1"	ET100	5.81	2.68	1.89	5.35	1.82	4.830	#8-32UNC-2B	1.176	0.225	1.039	12.0 CU IN 196 CC	3 # 4 AWG MAX	#12-24UNCX0.30(7.62) LONG

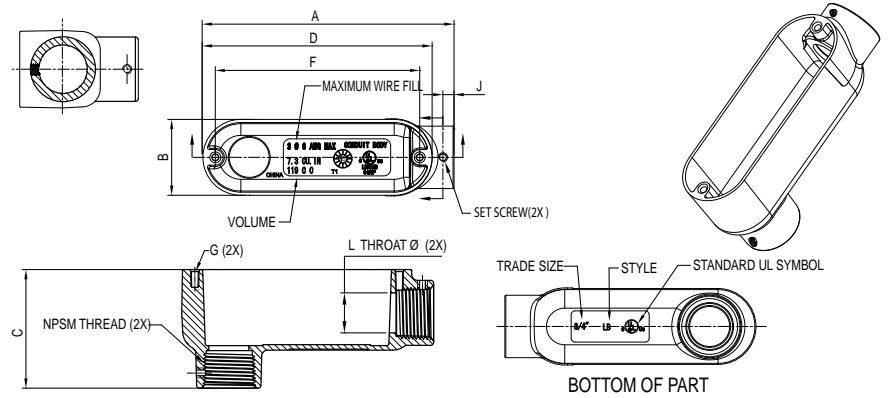


TRADE SIZE	CATALOG NUMBER	A	B	C	D	E	F	G TAPPED HOLES	Ø	K	ØL	VOLUME	MAXIMUM WIRE FILL	SET SCREW(6X)
1-1/4"	ET125	8.35	3.52	2.50	7.24	2.51	6.500	#12-24UNC-2B	1.525	0.260	1.370	30.8 CU IN 504 CC	3 # 2 AWG MAX	#12-24UNCX0.30(7.62) LONG
1-1/2"	ET150	9.38	3.82	2.80	7.24	2.51	6.500	#12-24UNC-2B	1.755	0.338	1.600	39.8 CU IN 648 CC	3 # 2 AWG MAX	#12-24UNCX0.30(7.62) LONG
2"	ET200	10.55	4.27	3.41	9.49	3.19	8.562	#12-24UNC-2B	2.212	0.350	2.025	67.0 CU IN 1119.3 CC	3 # 2/0 MAX	#5/16-24UNFX055(14.0) LONG
2-1/2"	ET250	13.46	5.89	3.98	12.20	4.49	11.250	#16UNC-2B	2.895	0.375	2.660	157.3 CU IN 2678 CC	3 # 250 MAX	#5/16-24UNFX055(14.0) LONG
3"	ET300	16.30	7.86	5.59	15.0	5.55	13.887	#16UNC-2B	3.530	0.375	3.277	179.8 CU IN 2948 CC	3 # 250 MAX	#5/16-24UNFX055(14.0) LONG
3-1/2"	ET350	19.14	9.51	6.89	18.0	6.89	16.410	#16UNC-2B	4.265	0.500	3.755	323.0 CU IN 5293 CC	3 # 250 MAX	#5/16-24UNFX055(14.0) LONG
4"	ET400	21.98	11.19	8.19	21.0	8.19	18.867	#16UNC-2B	5.000	0.500	4.225	323.0 CU IN 5293 CC	3 # 250 MAX	#5/16-24UNFX055(14.0) LONG

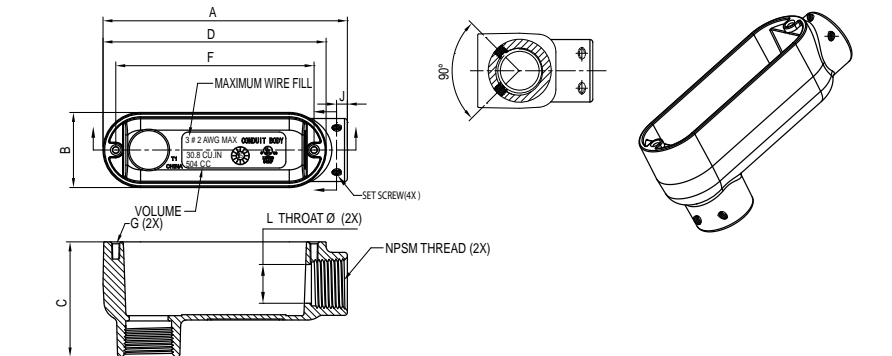


COLB/CLB

TRADE SIZE	CATALOG NUMBER	A	B	C	D	F ±0.010(.25)	G TAPPED HOLES	NPSM THREAD	J	L ±0.003(.1)	VOLUME	MAXIMUM WIRE FILL	SET SCREW (2X)
1/2"	CLB050	4.31 (109.5)	1.34 (34.0)	2.09 (53.0)	3.90 (99.0)	3.500 (88.9)	#8-32UNC-2B	1/2-14NPSM	0.225 (5.72)	0.612 (15.54)	4.3 CU IN 70 CC		#12-24UNCX0.30(7.62) LONG
3/4"	CLB075	5.08 (129.1)	1.56 (39.7)	2.39 (60.8)	4.63 (117.5)	4.125 (104.7)	#8-32UNC-2B	3/4-14NPSM	0.225 (5.72)	0.814 (20.68)	7.3 CU IN 119 CC	3 # 6 AWG MAX	#12-24UNCX0.30(7.62) LONG
1"	CLB100	5.92 (150.3)	1.82 (46.2)	2.78 (70.5)	5.35 (135.5)	4.830 (122.8)	#8-32UNC-2B	1-11 1/2NPSM	0.225 (5.72)	1.039 (26.39)	12.0 CU IN 196 CC	3 # 4 AWG MAX	#12-24UNCX0.30(7.62) LONG

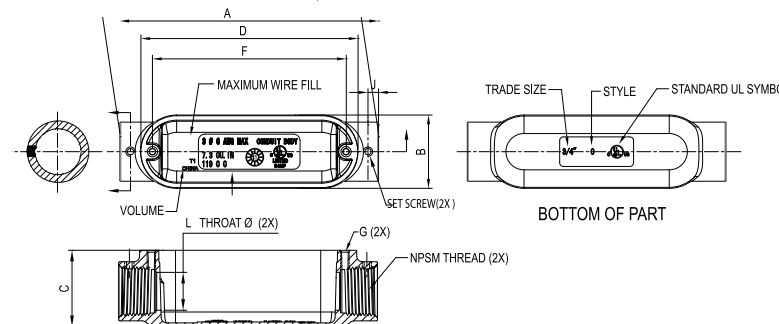


TRADE SIZE	CATALOG NUMBER	A	B	C	D	F ±0.010(.25)	G TAPPED HOLES	NPSM THREAD	J	L ±0.003(.1)	VOLUME	MAXIMUM WIRE FILL	SET SCREW (2X)
1-1/4"	CLB125	7.82 (198.6)	2.51 (63.7)	3.52 (89.5)	7.24 (184.0)	6.500 (165.1)	#8-32UNC-2B	1-1/2-14NPSM	0.260 (6.60)	1.370 (34.80)	30.8 CU IN 504 CC	3 # 2 AWG MAX	#12-24UNCX0.30(7.62) LONG
1-1/2"	CLB150	7.82 (198.6)	2.51 (63.7)	3.52 (89.5)	7.24 (184.0)	6.500 (165.1)	#8-32UNC-2B	1-1/2-14NPSM	0.225 (5.72)	1.800 (45.7)	30.8 CU IN 504 CC	3 # 2 AWG MAX	#12-24UNCX0.30(7.62) LONG
2"	CLB200	10.05 (255.3)	3.19 (81.0)	4.51 (114.2)	9.49 (241.5)	8.562 (217.48)	#8-32UNC-2B	2-11 1/2NPSM	0.350 (8.89)	2.057 (52.25)	67.0 CU IN 1096 CC	3 # 2/0 MAX	#5/16-24UNFX055(14.0) LONG



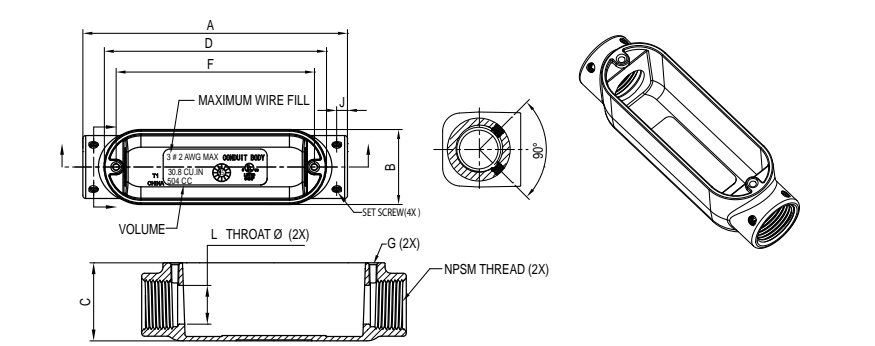
COC/CC

TRADE SIZE	CATALOG NUMBER	A	B	C	D	F ±0.010(.25)	G TAPPED HOLES	NPSM THREAD	J	L ±0.003(.1)	VOLUME	MAXIMUM WIRE FILL	SET SCREW (2X)
1/2"	CC050	4.31 (109.5)	1.34 (34.0)	1.36 (34.5)	3.90 (99.0)	3.500 (88.9)	#8-32UNC-2B	1/2-14NPSM	0.225 (5.72)	0.612 (15.54)	4.3 CU IN 70 CC		#12-24UNCX0.30(7.62) LONG
3/4"	CC075	5.08 (129.1)	1.56 (39.7)	1.60 (40.6)	4.63 (117.5)	4.125 (104.7)	#8-32UNC-2B	3/4-14NPSM	0.225 (5.72)	0.814 (20.68)	7.3 CU IN 119 CC	3 # 6 AWG MAX	#12-24UNCX0.30(7.62) LONG
1"	CC100	5.92 (150.3)	1.82 (46.2)	1.88 (47.5)	5.35 (135.5)	4.830 (122.8)	#8-32UNC-2B	1-11 1/2NPSM	0.225 (5.72)	1.039 (26.39)	12.0 CU IN 196 CC	3 # 4 AWG MAX	#12-24UNCX0.30(7.62) LONG



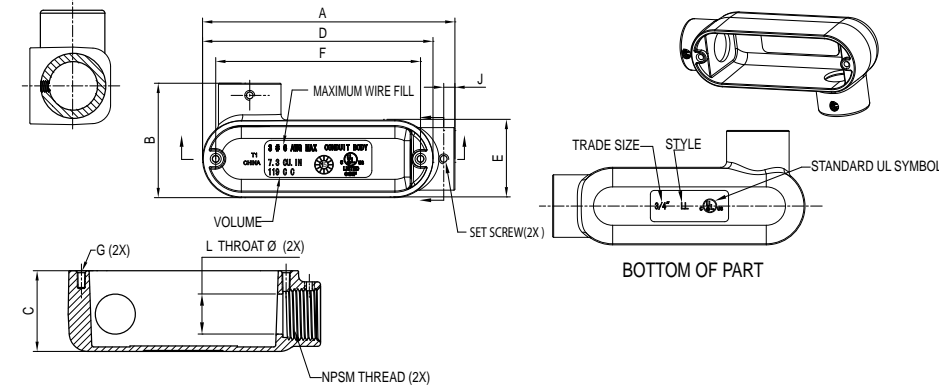
COC/CC (cont.)

TRADE SIZE	CATALOG NUMBER	A	B	C	D	F ±0.010(.25)	G TAPPED HOLES	NPSM THREAD	J	L ±0.003(.1)	VOLUME	MAXIMUM WIRE FILL	SET SCREW (4X)
1-1/4"	CC125	8.35 (212.1)	2.51 (63.7)	2.50 (63.5)	7.24 (184.0)	6.500 (165.1)	#8-32UNC-2B	1-1/4-14NPSM	0.260 (6.60)	1.370 (34.80)	30.8 CU IN 504 CC	3 # 2 AWG MAX	#12-24UNCX0.30(7.62) LONG
1-1/2"	CC150	8.35 (212.1)	2.51 (63.7)	2.50 (63.5)	7.24 (184.0)	6.500 (165.1)	#8-32UNC-2B	1-1/2-14NPSM	0.338 (8.58)	1.800 (45.7)	30.8 CU IN 504 CC	3 # 2 AWG MAX	#12-24UNCX0.30(7.62) LONG
2"	CC200	10.05 (255.3)	3.19 (81.0)	3.41 (86.5)	9.49 (241.5)	8.562 (217.48)	#8-32UNC-2B	2-11 1/2NPSM	0.350 (8.89)	2.057 (52.25)	67.0 CU IN 1096 CC	3 # 2/0 MAX	#5/16-24UNFX055(14.0) LONG

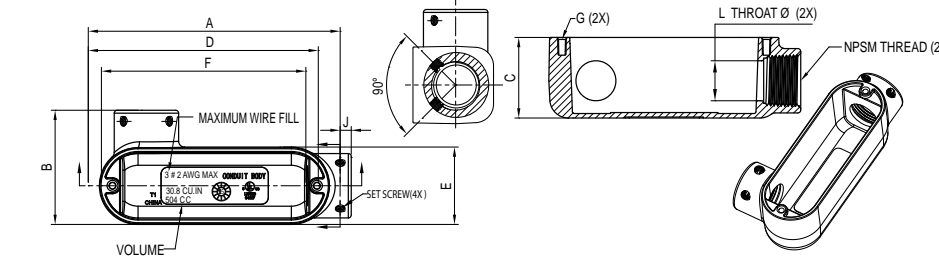


COLL/CLL

TRADE SIZE	CATALOG NUMBER	A	B	C	D	E	F ±0.010(.25)	G TAPPED HOLES	NPSM THREAD	J	L ±0.003(.1)	VOLUME	MAXIMUM WIRE FILL	SET SCREW (2X)
1/2"	CLL050	4.31 (109.5)	2.03 (51.5)	1.36 (34.5)	3.90 (99.0)	1.34 (34.0)	3.500 (88.9)	#8-32UNC-2B	1/2-14NPSM	0.225 (5.72)	0.612 (15.54)	4.3 CU IN 70 CC		#12-24UNCX0.30(7.62) LONG
3/4"	CLL075	5.08 (129.1)	2.51 (63.7)	1.60 (40.6)	4.63 (117.5)	1.39 (35.3)	4.125 (104.7)	#8-32UNC-2B	3/4-14NPSM	0.225 (5.72)	0.814 (20.68)	7.3 CU IN 119 CC	3 # 2 AWG MAX	#12-24UNCX0.30(7.62) LONG
1"	CLL100	5.92 (150.3)	2.68 (68.0)	1.88 (47.5)	5.35 (135.5)	1.82 (46.2)	4.830 (122.8)	#8-32UNC-2B	1-11 1/2NPSM	0.225 (5.72)	1.039 (26.39)	12.0 CU IN 196 CC	3 # 2/0 MAX	#5/16-24UNFX055(14.0) LONG

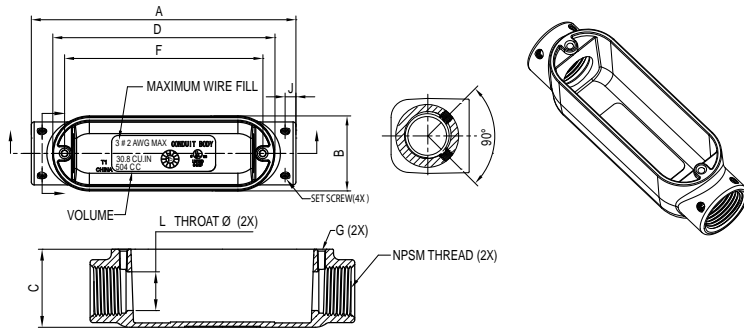


TRADE SIZE	CATALOG NUMBER	A	B	C	D	E	F ±0.010(.25)	G TAPPED HOLES	NPSM THREAD	J	L ±0.003(.1)	VOLUME	MAXIMUM WIRE FILL	SET SCREW (4X)
1-1/4"	CLL125	7.82 (198.6)	3.52 (89.4)	2.50 (63.5)	7.24 (184.0)	2.51 (63.7)	6.500 (165.1)	#8-32UNC-2B	1-1/4-14NPSM	0.260 (6.60)	1.370 (34.80)	30.8 CU IN 504 CC	3 # 2 AWG MAX	#12-24UNCX0.30(7.62) LONG
1-1/2"	CLL150	7.82 (198.6)	3.52 (89.4)	2.50 (63.5)	7.24 (184.0)	2.51 (63.7)	6.500 (165.1)	#8-32UNC-2B	1-1/2-14NPSM	0.338 (8.58)	1.800 (45.7)	30.8 CU IN 504 CC	3 # 2 AWG MAX	#12-24UNCX0.30(7.62) LONG
2"	CLL200	10.05 (255.3)	4.27 (108.5)	3.41 (86.5)	9.49 (241.5)	3.19 (81.0)	8.562 (217.48)	#8-32UNC-2B	2-11 1/2NPSM	0.350 (8.89)	2.057 (52.25)	67.0 CU IN 1096 CC	3 # 2/0 MAX	#5/16-24UNFX055(14.0) LONG

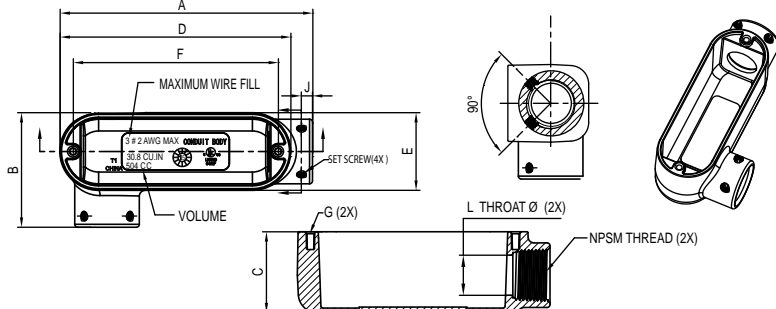


COLR/CLR

TRADE SIZE	CATALOG NUMBER	A	B	C	D	F	G TAPPED HOLES	NPSM THREAD	J	L	VOLUME	MAXIMUM WIRE FILL	SET SCREW (4X)
1-1/4"	CC125	8.35	2.51	2.50	7.24	6.500	#12-24UNC-2B	1-1/4"	0.260	1.370	30.8 CU.IN	3 # 2 AWG MAX	#12-24UNCX0.30(7.62) LONG
1-1/2"	CC150	8.35	2.51	2.50	7.24	6.500	#12-24UNC-2B	1-1/2"	0.338	1.600	30.8 CU.IN	3 # 2 AWG MAX	#12-24UNCX0.30(7.62) LONG
2"	CC200	10.55	3.19	3.41	9.48	8.562	#12-24UNC-2B	2-11/2"NPSM	0.350	2.057	67.0 CU.IN	3 # 2/0 MAX	#5/16-24UNFX055(14.0) LONG

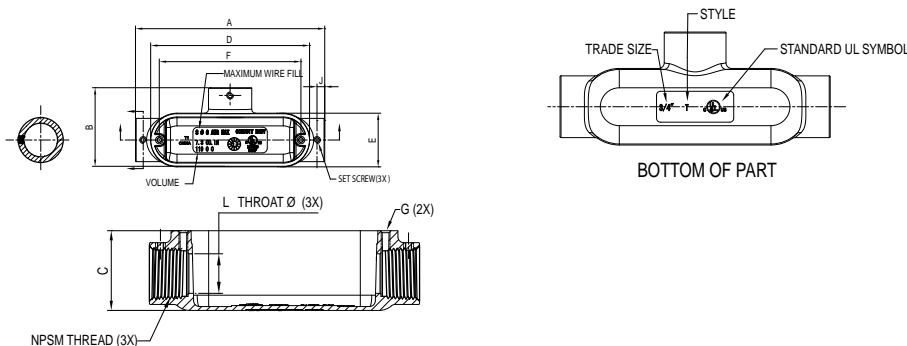


TRADE SIZE	CATALOG NUMBER	A	B	C	D	E	F	G TAPPED HOLES	NPSM THREAD	J	L	VOLUME	MAXIMUM WIRE FILL	SET SCREW (4X)
1-1/4"	CLR125	7.82	3.52	2.50	7.24	2.51	6.500	#12-24UNC-2B	1-1/4"NPSM	0.260	1.370	30.8 CU.IN	3 # 2 AWG MAX	#12-24UNCX0.30(7.62) LONG
1-1/2"	CLR150	7.82	3.52	2.50	7.24	2.51	6.500	#12-24UNC-2B	1-1/2"NPSM	0.338	1.600	30.8 CU.IN	3 # 2 AWG MAX	#12-24UNCX0.30(7.62) LONG
2"	CLR200	10.05	4.27	3.41	9.48	3.19	8.562	#12-24UNC-2B	2-11/2"NPSM	0.350	2.057	67.0 CU.IN	3 # 2/0 MAX	#5/16-24UNFX055(14.0) LONG



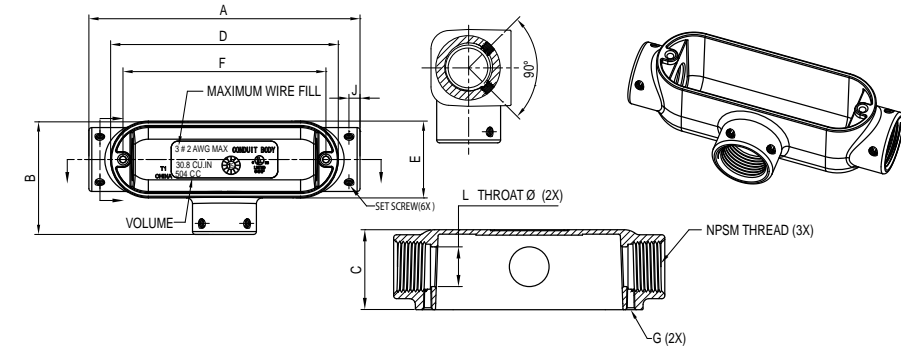
COT/CT

TRADE SIZE	CATALOG NUMBER	A	B	C	D	E	F	G TAPPED HOLES	NPSM THREAD	J	L	VOLUME	MAXIMUM WIRE FILL	SET SCREW (3X)
1/2"	CT050	4.72	2.03	1.36	3.90	1.34	3.500	#8-32UNC-2B	1/2-14NPSM	0.225	0.612	4.3 CU.IN	3 # 6 AWG MAX	#12-24UNCX0.30(7.62) LONG
3/4"	CT075	5.51	2.30	1.626	4.83	1.56	4.125	#8-32UNC-2B	3/4-14NPSM	0.225	0.814	7.3 CU.IN	3 # 6 AWG MAX	#12-24UNCX0.30(7.62) LONG
1"	CT100	6.46	2.68	1.89	5.35	1.82	4.830	#8-32UNC-2B	1-11/2NPSM	0.225	1.039	12.0 CU.IN	3 # 4 AWG MAX	#12-24UNCX0.30(7.62) LONG



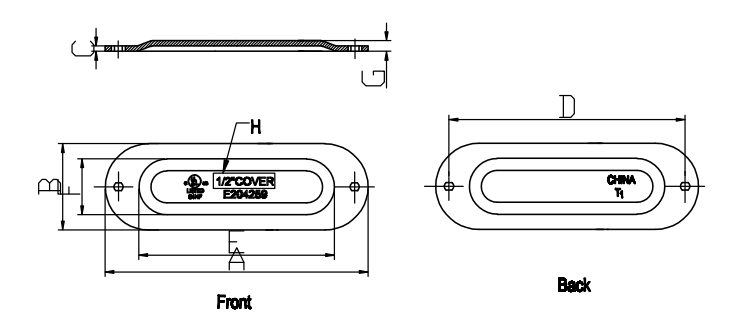
COT/CT (cont.)

TRADE SIZE	CATALOG NUMBER	A	B	C	D	E	F	G TAPPED HOLES	NPSM THREAD	J	L	VOLUME	MAXIMUM WIRE FILL	SET SCREW (6X)
1-1/4"	CT125	8.35	3.52	2.50	7.24	2.51	6.500	#12-24UNC-2B	1-1/4"	0.260	1.370	30.8 CU.IN	3 # 2 AWG MAX	#12-24UNCX0.30(7.62) LONG
1-1/2"	CT150	8.35	3.52	2.50	7.24	2.51	6.500	#12-24UNC-2B	1-1/2"	0.338	1.600	30.8 CU.IN	3 # 2 AWG MAX	#12-24UNCX0.30(7.62) LONG
2"	CT200	10.55	4.27	3.41	9.48	3.19	8.562	#12-24UNC-2B	2-11/2"NPSM	0.350	2.057	67.0 CU.IN	3 # 2/0 MAX	#5/16-24UNFX055(14.0) LONG



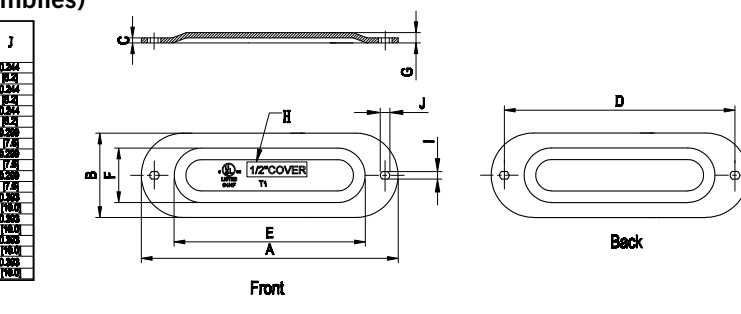
SSC STAMPED STEEL COVER

TRADE SIZE	CATALOG NUMBER	A	B	C	D	E	F	G	H	I	J	K	L	M	N	O	P	Q	R	S	T	U	V	W	X	Y	Z	
1/2"	SSC050	3.000	1.340	0.860	3.000	2.800	0.827	0.181	#8-32UNCX0.30(7.62)	1/2" COVER	0.140	0.364	0.140	0.364	0.140	0.364	0.140	0.364	0.140	0.364	0.140	0.364	0.140	0.364	0.140	0.364	0.140	0.364
3/4"	SSC075	4.895	2.030	0.870	4.895	4.626	0.860	0.181	#8-32UNCX0.30(7.62)	3/4" COVER	0.140	0.364	0.140	0.364	0.140	0.364	0.140	0.364	0.140	0.364	0.140	0.364	0.140	0.364	0.140	0.364	0.140	0.364
1"	SSC100	5.974	2.300	0.870	5.974	5.681	0.860	0.181	#8-32UNCX0.30(7.62)	1" COVER	0.140	0.364	0.140	0.364	0.140	0.364	0.140	0.364	0.140	0.364	0.140	0.364	0.140	0.364	0.140	0.364	0.140	0.364
1-1/4"	SSC125	7.280	2.500	0.870	7.280	6.971	0.860	0.181	#12-24UNCX0.30(7.62)	1 1/4" COVER	0.190	0.508	0.190	0.508	0.190	0.508	0.190	0.508	0.190	0.508	0.190	0.508	0.190	0.508	0.190	0.508	0.190	0.508
1-1/2"	SSC150	7.280	2.500	0.870	7.280	6.971	0.860	0.181	#12-24UNCX0.30(7.62)	1 1/2" COVER	0.190	0.508	0.190	0.508	0.190	0.508	0.190	0.508	0.190	0.508	0.190	0.508	0.190	0.508	0.190	0.508	0.190	0.508
2"	SSC200	9.400	3.150	0.870	9.400	9.081	0.860	0.181	#12-24UNCX0.30(7.62)	2" COVER	0.240	0.672	0.240	0.672	0.240	0.672	0.240	0.672	0.240	0.672	0.240	0.672	0.240	0.672	0.240	0.672	0.240	0.672
2-1/2"	SSC250	12.205	4.268	0.870	12.205	11.886	0.860	0.181	#12-24UNCX0.30(7.62)	2 1/2" COVER	0.290	0.824	0.290	0.824	0.290	0.824	0.290	0.824	0.290	0.824	0.290	0.824	0.290	0.824	0.290	0.824	0.290	0.824
3"	SSC300	14.961	5.120	0.870	14.961	14.641	0.860	0.181	#12-24UNCX0.30(7.62)	3" COVER	0.340	0.976	0.340	0.976	0.340	0.976	0.340	0.976	0.340	0.976	0.340	0.976	0.340	0.976	0.340	0.976	0.340	0.976
3-1/2"	SSC350	17.816	6.012	0.870	17.816	17.496	0.860	0.181	#12-24UNCX0.30(7.62)	3 1/2" COVER	0.390	1.128	0.390	1.128	0.390	1.128	0.390	1.128	0.390	1.128	0.390	1.128	0.390	1.128	0.390	1.128	0.390	1.128
4"	SSC400	20.671	6.912	0.870	20.671	20.351	0.860	0.181	#12-24UNCX0.30(7.62)	4" COVER	0.440	1.280	0.440	1.280	0.440	1.280	0.440	1.280	0.440	1.280	0.440	1.280	0.440	1.280	0.440	1.280	0.440	1.280



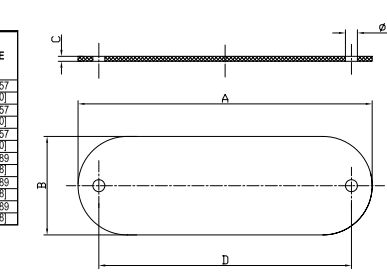
CSC STAMPED ALUM. COVER (included w/assemblies)

TRADE SIZE	CATALOG NUMBER	A	B	C	D	E	F	G	H	I	J	K	L	M	N	O	P	Q	R	S	T	U	V	W	X	Y	Z	
1/2"	CSC050	3.000	1.340	0.870	3.000	2.800	0.827	0.181	#8-32UNCX0.30(7.62)	1/2" COVER	0.140	0.364	0.140	0.364	0.140	0.364	0.140	0.364	0.140	0.364	0.140	0.364	0.140	0.364	0.140	0.364	0.140	0.364
3/4"	CSC075	4.895	2.030	0.870	4.895	4.626	0.860	0.181	#8-32UNCX0.30(7.62)	3/4" COVER	0.140	0.364	0.140	0.364	0.140	0.364	0.140	0.364	0.140	0.364	0.140	0.364	0.140	0.364	0.140	0.364	0.140	0.364
1"	CSC100	5.974	2.300	0.870	5.974	5.681	0.860	0.181	#8-32UNCX0.30(7.62)	1" COVER	0.140	0.364	0.140	0.364	0.140	0.364	0.140	0.364	0.140	0.364	0.140	0.364	0.140	0.364	0.140	0.364	0.140	0.364
1-1/4"	CSC125-148	7.280	2.500	0.870	7.280	6.971	0.860	0.181	#12-24UNCX0.30(7.62)	1 1/4" COVER	0.190	0.508	0.190	0.508	0.190	0.508	0.190	0.508	0.190	0.508	0.190	0.508	0.190	0.508	0.190	0.508	0.190	0.508
1-1/2"	CSC150	7.280	2.500	0.870	7.280	6.971	0.860	0.181	#12-24UNCX0.30(7.62)	1 1/2" COVER	0.190	0.508	0.190	0.508	0.190	0.508	0.190	0.508	0.190	0.508	0.190	0.508	0.190	0.508	0.190	0.508	0.190	0.508
2"	CSC200	9.400	3.150	0.870	9.400	9.081	0.860	0.181	#12-24UNCX0.30(7.62)	2" COVER	0.240	0.672	0.240	0.672	0.240	0.672	0.240	0.672	0.240	0.672	0.240	0.672	0.240	0.672	0.240	0.672	0.240	0.672
2-1/2"	CSC250-260	12.205	4.268	0.870	12.205	11.886	0.860	0.181	#12-24UNCX0.30(7.62)	2 1/2" COVER	0.290	0.824	0.290	0.824	0.290	0.824	0.290	0.824	0.290	0.824	0.290	0.824	0.290	0.824	0.290	0.824	0.290	0.824
3"	CSC300-310	14.961	5.120	0.870	14.961	14.641	0.860	0.181	#12-24UNCX0.30(7.62)	3" COVER	0.340	0.976	0.340	0.976	0.340	0.976	0.340	0.976	0.340	0.976	0.340	0.976	0.340	0.976	0.340	0.976	0.340	0.976
3-1/2"	CSC350-360	17.816	6.012	0.870	17.816	17.496	0.860	0.181	#12-24UNCX0.30(7.62)	3 1/2" COVER	0.390	1.128	0.390	1.128	0.390	1.128	0.390	1.128	0.390	1.128	0.390	1.128	0.390	1.128	0.390	1.128	0.390	1.128
4"	CSC400-410	20.671	6.912	0.870	20.671	20.351	0.860	0.181	#12-24UNCX0.30(7.62)	4" COVER	0.440	1.280	0.440	1.280	0.440	1.280	0.440	1.280	0.440	1.280	0.440	1.280	0.440	1.280	0.440	1.280	0.440	1.280



CRG RUBBER GASKET

TRADE SIZE	CATALOG NUMBER	A	B	C	D	E	F
1/2"	CRG050	3.900	1.340	0.067	3.900	0.157	0.157
3/4"	CRG075	4.895	1.530	0.067	4.126	0.157	0.157
1"	CRG100	5.974	1.730	0.067	4.831	0.157	0.157
1-1/4"	CRG125	7.283	2.500	0.067	6.500	0.189	0.189
1-1/2"	CRG150	7.283	2.500	0.067	6.500	0.189	0.189
2"	CRG200	9.488	3.150	0.067	8.563	0.189	0.189

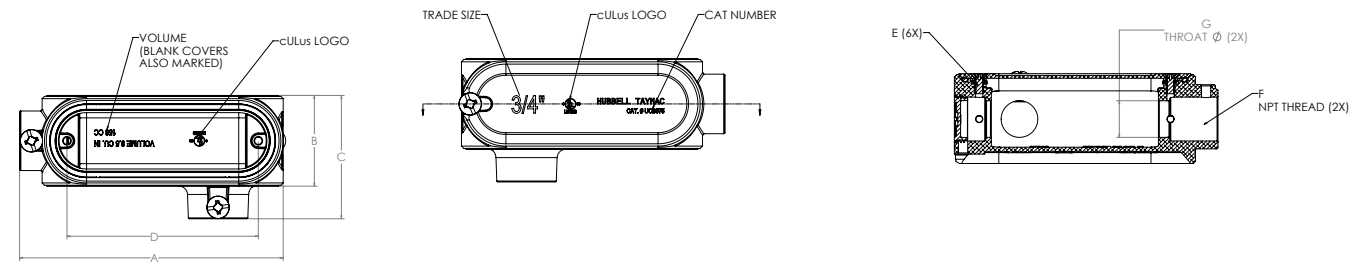


TRADE SIZE	CATALOG NUMBER	A	B	C	D	E	F
1-1/2"	CRG250	12.205	4.268	0.125	11.252	0.307	0.0394
2-1/2"	CRG300	14.961	5.120	0.125	13.885	0.307	0.0394
3"	CRG350	17.816	6.012	0.125	16.508	0.307	0.0394
3-1/2"	CRG400	20.671	6.912	0.125	19.131	0.307	

U • CONDUIT BODIES

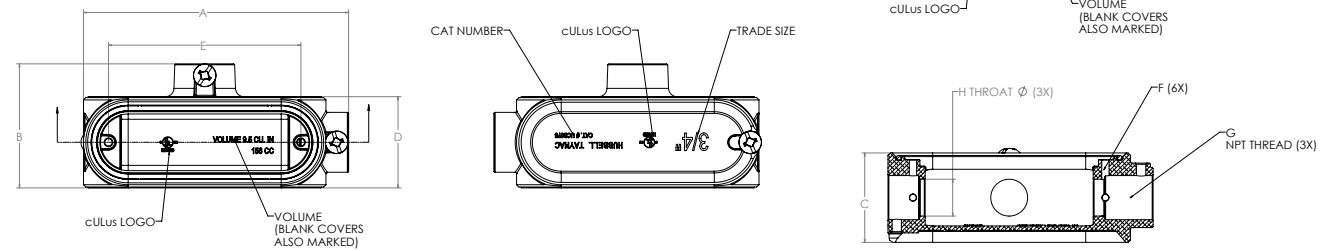
LL/LR/LB

TRADE SIZE	CATALOG NUMBER	A	B	C	D	E TAPPED HOLES	F NPT THREAD	G THROAT DIA.	SET SCREW	VOLUME
1/2"	UCB050	5.10 129.58	1.73 43.82	2.29 58.10	3.55 90.17	#10-32 UNF	1/2-14 NPT	0.60 15.24	#10-24 UNC	5.8 CU. IN 95 CC
3/4"	UCB075	5.75 146.05	1.96 49.78	2.69 68.38	4.18 106.10	#10-32 UNF	3/4-14 NPT	0.80 20.32	1/4-20 UNC	9.5 CU. IN 156 CC
1"	UCB0100	6.41 162.77	2.23 56.64	2.99 76.01	4.68 118.78	#10-32 UNF	1-11.5 NPT	0.98 24.89	1/4-20 UNC	14.3 CU. IN 234 CC



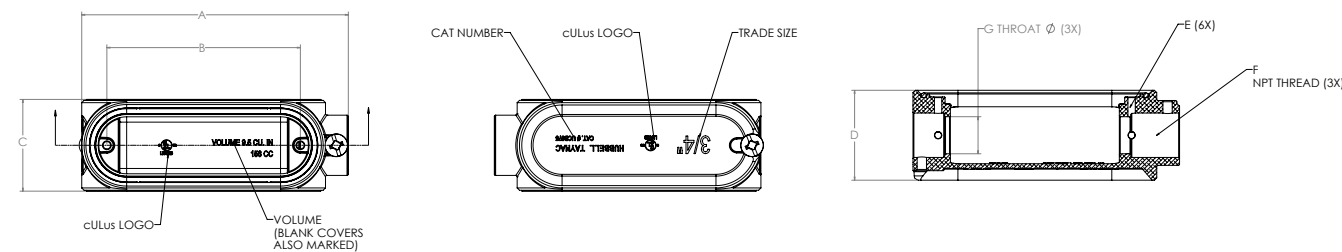
T

TRADE SIZE	CATALOG NUMBER	A	B	C	D	E	F TAPPED HOLES	G NPT THREAD	H THROAT DIA.	SET SCREW	VOLUME
1/2"	UCB050	5.10 129.58	2.29 58.10	1.71 43.31	1.73 43.82	3.55 90.17	#10-32 UNF	1/2-14 NPT	0.60 15.24	#10-24 UNC	5.8 CU. IN 95 CC
3/4"	UCB075	5.75 146.05	2.69 68.40	1.98 50.29	1.96 49.78	4.18 106.10	#10-32 UNF	3/4-14 NPT	0.80 20.32	1/4-20 UNC	9.5 CU. IN 156 CC
1"	UCB0100	6.41 162.77	2.99 76.01	2.21 56.13	2.23 56.64	4.68 118.78	#10-32 UNF	1-11.5 NPT	0.98 24.89	1/4-20 UNC	14.3 CU. IN 234 CC



C

TRADE SIZE	CATALOG NUMBER	A	B	C	D	E TAPPED HOLES	F NPT THREAD	G THROAT DIA.	SET SCREW	VOLUME
1/2"	UCB050	5.10 129.58	3.55 90.17	1.73 43.82	1.71 43.31	#10-32 UNF	1/2-14 NPT	0.60 15.24	#10-24 UNC	5.8 CU. IN 95 CC
3/4"	UCB075	5.75 146.05	4.18 106.10	1.96 49.78	1.98 50.29	#10-32 UNF	3/4-14 NPT	0.80 20.32	1/4-20 UNC	9.5 CU. IN 156 CC
1"	UCB0100	6.41 162.77	4.68 118.78	2.23 56.64	2.21 56.13	#10-32 UNF	1-11.5 NPT	0.98 24.89	1/4-20 UNC	14.3 CU. IN 234 CC



NOTES



Weatherproof Boxes, Covers & Lighting





STANDARDS

BELL® UPC Vendor Number 050169.

Where applicable, BELL® products are engineered in accordance with the standards established by Underwriters Laboratories and the Canadian Standards Association. Dimensional data listed in this catalog is intended for general reference with broad tolerance limits.

2020 NEC®

When specifying BELL® Weatherproof boxes and covers, consult the requirements of the National Electrical Code®, Article 314.16 (B) and 406.9 (B). Article 314.16 (B) details the NEC® requirements for the maximum number of conductors allowed for a BELL® Weatherproof installation. Article 406.9 (B) provides details on the NEC® requirements for receptacles being used in wet locations.

For your convenience, we have reprinted the pertinent NEC® articles. In all cases, consult your local electrical code and inspector interpretation.

Wiring Capacity: BELL® Weatherproof Boxes and Extensions

Maximum Number of Conductors or Minimum Size Box (Article 314.16 (B))

The purpose of Section 314.16 (B) is to determine the maximum conductor count or the minimum box size required for the job. It also can be used to figure how many other conductors may be added without exceeding the Code-prescribed limit. Most applications have determined the number of conductors. The rules of Section 314.16 (B) are used to determine the Code recognized limit, or smallest box that may be installed.

Selection of any BELL® Weatherproof box or extension for use in any electrical circuit work must take into consideration the maximum number of wires permitted in the box. Safe electrical practice demands that wires not be jammed into boxes because of the possibility of nicks, abrasions, or other damage to the insulating material, creating the potential for ground faults or short circuits.

314.16 Number of Conductors in Outlet, Device, and Junction Boxes, and Conduit Bodies. Boxes and conduit bodies shall be of an approved size to provide free space for all enclosed conductors. In no case shall the volume of the box, as calculated in 314.16(A), be less than the fill calculation as calculated in 314.16(B). The minimum volume for conduit bodies shall be as calculated in 314.16(C).

The provisions of this section shall not apply to terminal housings supplied with motors or generators.

Boxes and conduit bodies enclosing conductors 4

AWG or larger shall also comply with the provisions of 314.28. Outlet and device boxes shall also comply with 314.24.

(A) Box Volume Calculations. The volume of a wiring enclosure (box) shall be the total volume of the assembled sections and, where used, the space provided by plaster rings, domed covers, extension rings, and so forth, that are marked with their volume or are made from boxes the dimensions of which are listed in Table 314.16(A). (1) Standard Boxes. The volumes of standard boxes that are not marked with their volume shall be as given in Table 314.16(A).

(2) Other Boxes. Boxes 1650 cm3 (100 in.3) or less, other than those described in Table 314.16(A), and nonmetallic boxes shall be durably and legibly marked by the manufacturer with their volume. Boxes described in Table 314.16(A) that have a volume larger than is designated in the table shall be permitted to have their volume marked as required by this section.

(B) Box Fill Calculations. The volumes in paragraphs 314.16(B)(1) through (B)(5), as applicable, shall be added together. No allowance shall be required for small fittings such as locknuts and bushings. Each space within a box installed with a barrier shall be calculated separately.

(1) Conductor Fill. Each conductor that originates outside the box and terminates or is spliced within the box shall be counted once, and each conductor that passes through the box without splice or termination shall be counted once. Each loop or coil of unbroken conductor not less than twice the minimum length required for free conductors in 300.14 shall be counted twice. The conductor fill shall be calculated using Table 314.16(B). A conductor, no part of which leaves the box, shall not be counted.

Exception: An equipment grounding conductor or conductors or not over four fixture wires smaller than 14 AWG, or both, shall be permitted to be omitted from the calculations where they enter a box from a domed luminaire or similar canopy and terminate within that box.

(2) Clamp Fill. Where one or more internal cable clamps, whether factory or field supplied, are present in the box, a single volume allowance in accordance with Table 314.16(B) shall be made based on the largest conductor present in the box. No allowance shall be required for a cable connector with its clamping mechanism outside the box.

(3) Support Fittings Fill. Where one or more luminaire studs or hickey are present in the box, a single volume allowance in accordance with Table

314.16(B) shall be made for each type of fitting based on the largest conductor present in the box.

(4) Device or Equipment Fill. For each yoke or strap containing one or more devices or equipment, a double volume allowance in accordance with Table 314.16(B) shall be made for each yoke or strap based on the largest conductor connected to a device(s) or equipment supported by that yoke or strap. A device or utilization equipment wider than a single 50 mm (2 in.) device box as described in Table 314.16(A) shall have double volume allowances provided for each gang required for mounting.

(5) Equipment Grounding Conductor Fill. Where up to four equipment grounding conductors or equipment bonding jumpers enter a box, a single volume allowance in accordance with Table 314.16(B) shall be made based on the largest equipment grounding conductor or equipment bonding jumper entering in the box. A 1/4 volume allowance shall be made for each additional equipment grounding conductor or equipment bonding jumper that enters the box, based on the largest equipment grounding conductor or equipment bonding conductor.

(C) Conduit Bodies.

(1) General. Conduit bodies enclosing 6 AWG conductors or smaller, other than short-radius conduit bodies as described in 314.16(C)(3), shall have a cross-sectional area not less than twice the cross-sectional area of the largest conduit or tubing to which they can be attached. The maximum number of conductors permitted shall be the maximum number permitted by Table 1 of Chapter 9 for the conduit or tubing to which it is attached.

(2) With Splices, Taps, or Devices. Only those conduit bodies that are durably and legibly marked by the manufacturer with their volume shall be permitted to contain splices, taps, or devices. The maximum number of conductors shall be calculated in accordance with 314.16(B). Conduit bodies shall be supported in a rigid and secure manner.

(3) Short Radius Conduit Bodies. Conduit bodies such as capped elbows and service-entrance elbows that enclose conductors 6 AWG or smaller, and are only intended to enable the installation of the raceway and the contained conductors, shall not contain splices, taps, or devices and shall be of an approved size to provide free space for all conductors enclosed in the conduit body.

406.9 Receptacles in Damp or Wet Locations.

(A) Damp Locations. A receptacle installed outdoors in a location protected from the weather or in other damp locations shall have an enclosure for the receptacle that is weatherproof when the receptacle

is covered (attachment plug cap not inserted and receptacle covers closed).

An installation suitable for wet locations shall also be considered suitable for damp locations.

A receptacle shall be considered to be in a location protected from the weather where located under roofed open porches, canopies, marquees, and the like, and will not be subjected to a beating rain or water runoff. All 15- and 20-ampere, 125- and 250-volt nonlocking receptacles shall be a listed weather-resistant type.

Informational Note: The types of receptacles covered by this requirement are identified as 5-15, 5-20, 6-15, and 6-20 in ANSI/NEMA WD 6-2016, Wiring Devices — Dimensional Specifications.

(B) Wet Locations.

(1) Receptacles of 15 and 20 Amperes in a Wet Location.

15- and 20-ampere, 125- and 250-volt receptacles installed in a wet location shall have an enclosure that is weatherproof whether or not the attachment plug cap is inserted. An outlet box hood installed for this purpose shall be listed and shall be identified as “extra-duty.” All 15- and 20- ampere, 125- and 250-volt nonlocking-type receptacles shall be listed weather-resistant type.

Informational Note No. 1: Requirements for extra-duty outlet box hoods are found in ANSI/UL 514D-2016, Cover Plates for Flush-Mounted Wiring Devices.

Informational Note No. 2: The types of receptacles covered by this requirement are identified as 5-15, 5-20, 6-15, and 6-20 in ANSI/NEMA WD 6-2016, Wiring Devices — Dimensional Specifications.

Calculate The Minimum Size Box

Section 314-16(B) describes in detail the method of counting wires, as well as clamps, fittings, or devices (i.e., switches, receptacles, combination devices) — by establishing an equivalent conductor-value for each. These values are added together to get a total number of conductors. The minimum size box is the smallest one in cubic inch size that can accommodate that number of conductors.

Points to Remember:

- 1. No matter how many ground wires come into a box, they only count as one conductor within the box.
2. Any wire running unbroken through the box counts as one wire.
3. Each wire coming into a splice device (crimp or twist-on type) is counted as one wire.

Exception: 15- and 20-ampere, 125- through 250-volt receptacles installed in a wet location and subject to routine high-pressure spray washing shall be permitted to have an enclosure that is weatherproof when the attachment plug is removed.

(2) Other Receptacles. All other receptacles installed in a wet location shall comply with 406.9(B)(2)(a) or (B)(2)(b).

(a) A receptacle installed in a wet location, where the product intended to be plugged into it is not attended while in use, shall have an enclosure that is weatherproof with the attachment plug cap inserted or removed.

(b) A receptacle installed in a wet location where the product intended to be plugged into it will be attended while in use (e.g., portable tools) shall have an enclosure that is weatherproof when the attachment plug is removed.

(C) Bathtub and Shower Space. Receptacles shall not be installed within a zone measured 900 mm (3 ft) horizontally and 2.5 m (8 ft) vertically from the top of the bathtub rim or shower stall threshold. The identified zone is all-encompassing and shall include the space directly over the tub or shower stall.

(D) Protection for Floor Receptacles. Standpipes of floor receptacles shall allow floor-cleaning equipment to be operated without damage to receptacles.

(E) Flush Mounting with Faceplate. The enclosure for a receptacle installed in an outlet box flush-mounted in a finished surface shall be made weatherproof by

means of a weatherproof faceplate assembly that provides a watertight connection between the plate and the finished surface.

GENERAL FEATURES AND BENEFITS

BELL® Weatherproof products all offer these features and benefits:

- Rugged seamless die cast construction that will not allow entry of moisture
• Reinforced connector outlets to provide a secure mechanical installation
• State-of-the-art powder coat paint for maximum weatherability and scratch resistance
• Bilingual instructions provided with every product
• Installation hardware and ground screws included where applicable
• Shrink-wrap packaging that keeps all components together
• UPC-A barcoding to help lower transaction costs

Refer to the pages that follow for more specific information about BELL® products.

National Electric Code® and NEC® is a registered Trademark of the National Fire Protection Association.

Example – BELL® Weatherproof

Supply power to a single switch with #14 conductors. Metal conduit will be used as the wire way. You must provide space for four conductors and one switch, totally a conductor count of 6. Read across the line in Table 314.16(B) for a #14 conductor. Multiply 6 times the free space within a box. For each conductor for a #14 conductor 2.00. This example requires a minimum box of 12.0 cubic inches.

Table 314.16(B) Volume Allowance Required per Conductor. Table with columns: Size of Conductor (AWG), Free Space Within Box for Each Conductor (cm³, in.³). Rows: 18, 16, 14, 12, 10, 8, 6.



DIE-CAST ALUMINUM BOXES
DIE-CAST ALUMINUM EXTENSIONS AND ADAPTERS
APPLICATIONS

- For use in branch circuit wiring in wet, damp or dry locations
- May be used as a weatherproof junction box, or as a housing for receptacles, switches and GFCI's

PRODUCT FEATURES

- Reinforced connector outlets
- Durable powder coat finish
- Eight box mounting options with detachable lugs provided
- Two closure plugs included
- Ground screw installed
- Multilingual instructions in each package
- Internal threads on hubs comply with NEMA requirements. Hubs accept all threaded fittings and threaded conduit

COMPLIANCES

- – File 195978
- NEMA 3R Rated

1-GANG

5320-0 to 5320-9
5324-0 to 5324-5
5320-1
5320-2

5321-0 to 5321-6, 5330-0
5322-0, 5331-0
5323-0, 5332-0
5385-0 to 5387-0

CATALOG #	CUBIC IN. (CM ³)	DESCRIPTION COLOR	OUTLETS	PKG. TYPE	STD. PKG.	BARCODE
2" Deep, with Lugs – Three Threaded Outlets – 4-1/2" X 2-3/4"						
5320-0	18.3 (299.9)	Gray	(3) 1/2"	Shrink	20	
5320-1	18.3 (299.9)	White	(3) 1/2"	Shrink	20	
5320-2	18.3 (299.9)	Bronze	(3) 1/2"	Shrink	20	
5320-5	18.3 (299.9)	Gray	(3) 1/2"	Carded	6	
5320-6	18.3 (299.9)	White	(3) 1/2"	Carded	6	
5320-7	18.3 (299.9)	Bronze	(3) 1/2"	Carded	6	
5320-9	18.3 (299.9)	Gray	(3) 1/2"	Bulk	50	
5324-0	18.3 (299.9)	Gray	(3) 3/4"	Shrink	20	
5324-1	18.3 (299.9)	White	(3) 3/4"	Shrink	20	
5324-5	18.3 (299.9)	Gray	(3) 3/4"	Carded	6	
2" Deep, with Lugs – Four Threaded Outlets – 4-1/2" X 2-3/4"						
5321-0	18.3 (299.9)	Gray	(4) 1/2"	Shrink	20	
5321-1	18.3 (299.9)	White	(4) 1/2"	Shrink	20	
5321-2	18.3 (299.9)	Bronze	(4) 1/2"	Shrink	20	
5321-5	18.3 (299.9)	Gray	(4) 1/2"	Carded	6	
5321-6	18.3 (299.9)	White	(4) 1/2"	Carded	6	
5330-0	18.3 (299.9)	Gray	(4) 3/4"	Shrink	20	
2" Deep, with Lugs – Five Threaded Outlets – 4-1/2" X 2-3/4"						
5322-0	18.3 (299.9)	Gray	(5) 1/2"	Shrink	20	
5331-0	18.3 (299.9)	Gray	(5) 3/4"	Shrink	20	
5323-0	18.3 (299.9)	Gray	(5) 1/2"	Shrink	20	
5332-0	18.3 (299.9)	Gray	(5) 3/4"	Shrink	20	
2-5/8" Deep, with Lugs – Three Threaded Outlets – 4-1/2" X 2-3/4"						
5385-0	22.5 (368.7)	Gray	(3) 1/2"	Shrink	15	
5386-0	22.5 (368.7)	Gray	(3) 3/4"	Shrink	15	
5387-0	22.5 (368.7)	Gray	(3) 1"	Shrink	15	

1-GANG

5406-0

(No ground screw provided)

5399-0, 5403-0

(Includes one closure plug)

5400-0 to 5400-5
5405-0

(Includes three closure plugs)

CATALOG #	CUBIC IN. (CM ³)	DESCRIPTION COLOR	OUTLETS	PKG. TYPE	STD. PKG.	BARCODE
1-Gang Extension – 4-1/2" X 2-3/4" X 1" Deep						
5406-0	9.5 (155.7)	Gray	—	Shrink	25	
1-Gang – Extension Adapters – 5-1/4" X 3-1/2" X 1-1/2" Deep – Two threaded outlets						
5399-0	9.5 (155.7)	Gray	(2) 1/2"	Shrink	20	
5403-0	11.0 (180.3)	Gray	(2) 3/4"	Shrink	20	
1-Gang – Extension Adapters – 5-1/4" X 3-1/2" X 1-1/2" Deep – Six Threaded outlets						
5400-0	9.5 (155.7)	Gray	(6) 1/2"	Shrink	20	
5400-5	9.5 (155.7)	Gray	(6) 1/2"	Carded	6	
5405-0	11.0 (180.3)	Gray	(6) 3/4"	Shrink	20	


5412-0, 5413-0

(Includes one closure plug)


5414-0, 5415-0

(Includes three closure plugs)

CATALOG #	CUBIC IN. (CM ³)	DESCRIPTION COLOR	OUTLETS	PKG. TYPE	STD. PKG.	BARCODE
Swing-Arm – Extension Adapters – 5-1/4" X 3-1/2" X 1-1/2" Deep – Two Threaded Outlets						
5412-0	13.8 (226.1)	Gray	(2) 1/2"	Shrink	10	
5413-0	13.8 (226.1)	Gray	(2) 3/4"	Shrink	10	
Swing-Arm – Extension Adapters – 5-1/4" X 3-1/2" X 1-1/2" Deep – Six Threaded Outlets						
5414-0	12.8 (209.8)	Gray	(6) 1/2"	Shrink	10	
5415-0	12.8 (209.8)	Gray	(6) 3/4"	Shrink	10	

APPLICATIONS

- Use to provide additional capacity needed for NEC box fill requirements
- Adapters allow installer to add "take-offs" to new boxes/devices

PRODUCT FEATURES

- Installation hardware, gasket, and ground screw provided
- Closure plugs provided for two and six outlet styles
- Internal threads and hubs comply with NEMA requirements. Hubs accept all threaded fittings and threaded conduit

COMPLIANCES

- – File E195978
- NEMA 3R Rated

APPLICATIONS

- Used to provide additional capacity needed for NEC box fill requirements
- Allows installer to add "take-offs" to new boxes/devices

PRODUCT FEATURES

- Unique swing-arm design speeds installation. Allows the installer better visibility when lining up and threading fasteners
- Rugged die-cast construction
- Reinforced connector outlets
- Durable powder coat finish
- Installation hardware, ground screw and gasket provided
- Multilingual instructions in each package
- Internal threads and hubs comply with NEMA requirements. Hubs accept all threaded fittings and threaded conduit

COMPLIANCES

- – File E195978
- NEMA 3R Rated

DIE-CAST ALUMINUM BOXES
DIE-CAST ALUMINUM BOX AND EXTENSION
2-GANG

5333-0, 5341-0

5335-0, 5343-0

5337-0 to 5337-5, 5345-0

5337-1

5337-2

5334-0, 5342-0

5340-0, 5348-0

5338-0, 5346-0

5388-0, 5389-0

CATALOG #	CUBIC IN. (CM ³)	DESCRIPTION COLOR	OUTLETS	PKG. TYPE	STD. PKG.	BARCODE
2" Deep, with Lugs – Three Threaded Outlets – 4-1/2" X 4-1/2"						
5333-0	32.0 (524.4)	Gray	(3) 1/2"	Shrink	12	
5341-0	32.0 (524.4)	Gray	(3) 3/4"	Shrink	12	
2" Deep, with Lugs – Four Threaded Outlets – 4-1/2" X 4-1/2"						
5335-0	31.0 (508.0)	Gray	(4) 1/2"	Shrink	12	
5343-0	31.0 (508.0)	Gray	(4) 3/4"	Shrink	12	
2" Deep, with Lugs – Five Threaded Outlets – 4-1/2" X 4-1/2"						
5337-0	31.0 (508.0)	Gray	(5) 1/2"	Shrink	12	
5337-1	31.0 (508.0)	White	(5) 1/2"	Shrink	12	
5337-5	31.0 (508.0)	Gray	(5) 1/2"	Carded	4	
5345-0	31.0 (508.0)	Gray	(5) 3/4"	Shrink	12	
5334-0	32.0 (524.4)	Gray	(5) 1/2"	Shrink	12	
5342-0	32.0 (524.4)	Gray	(5) 3/4"	Shrink	12	
2" Deep, with Lugs – Seven Threaded Outlets – 4-1/2" X 4-1/2"						
5340-0	30.2 (494.9)	Gray	(7) 1/2"	Shrink	12	
5348-0	30.2 (494.9)	Gray	(7) 3/4"	Shrink	12	
5338-0	31.0 (508.0)	Gray	(7) 1/2"	Shrink	12	
5346-0	31.0 (508.0)	Gray	(7) 3/4"	Shrink	12	
2-5/8" Deep, with Lugs – Five Threaded Outlets – 4-1/2" X 4-1/2"						
5388-0	36.0 (589.9)	Gray	(5) 3/4"	Shrink	9	
5389-0	36.0 (589.9)	Gray	(5) 1"	Shrink	9	

APPLICATIONS

- For use in branch circuit wiring in wet, damp or dry locations
- May be used as a weatherproof junction box, or as a housing for receptacles, switches and GFCI's

PRODUCT FEATURES

- Reinforced connector outlets
- Durable powder coat finish
- Eight box mounting options with detachable lugs provided
- Closure plugs included
- Ground screw installed
- Multilingual instructions in each package
- Internal threads on hubs comply with NEMA requirements. Hubs accept all threaded fittings and threaded conduit

COMPLIANCES

- – File E195978
- NEMA 3R Rated

2-GANG EXTENSION

5407-0

CATALOG #	CUBIC IN. (CM ³)	DESCRIPTION COLOR	OUTLETS	PKG. TYPE	STD. PKG.	BARCODE
2-Gang Extension – 4-21/32" X 4-21/32" X 1-1/32" Deep						
5407-0	16.0 (262.2)	Gray	—	Shrink	10	

APPLICATION

- Used to provide additional capacity needed for NEC box fill requirements

PRODUCT FEATURES

- Rugged seamless construction
- Durable powder coat finish
- Installation hardware and gasket provided
- Multilingual instructions in each package

COMPLIANCES

- – File E195978
- NEMA 3R Rated

3-GANG

5390-0

CATALOG #	CUBIC IN. (CM ³)	DESCRIPTION COLOR	OUTLETS	PKG. TYPE	STD. PKG.	BARCODE
3-Gang Box – 2-5/8" Deep, with Lugs – Seven Threaded Outlets – 4-1/2" X 6-3/8"						
5390-0	55.0 (901.3)	Gray	(7) 3/4"	Boxed	1	

APPLICATIONS

- For use in branch circuit wiring in wet, damp or dry locations
- Can be used as a weatherproof junction box, or as a housing for receptacles, switches and GFCI's

PRODUCT FEATURES

- Seamless die-cast aluminum construction
- Reinforced connector outlets
- Durable powder coat finish
- Eight box mounting options with detachable lugs provided
- Four closure plugs included
- Ground screws installed
- Multilingual instructions in each package
- Internal threads and hubs comply with NEMA requirements. Hubs accept all threaded fittings and threaded conduit

COMPLIANCES

- – File E195978
- NEMA 3R Rated

DIE-CAST ALUMINUM ROUND SPLICE BOXES AND EXTENSION ADAPTER
METAL 1-GANG DEVICE COVERS
4" ROUND BOX
APPLICATIONS

- For use in branch circuit wiring in wet, damp or dry locations
- Designed for use as a weatherproof junction box. May be used with BELL® round cluster covers and round lampholder combinations

PRODUCT FEATURES

- Rugged die-cast construction
- Reinforced connector outlets
- Durable powder coat finish
- Cast-in mounting lugs provide fast, secure installation
- Includes four closure plugs, installed ground screw and multilingual instructions

COMPLIANCES

- UL – File E195978
- NEMA 3R Rated


5361-0 to 5361-7, 5372-0
5361-1
5361-2

CATALOG #	CUBIC IN. (CM ³)	DESCRIPTION COLOR	OUTLETS	PKG. TYPE	STD. PKG.	BARCODE
4" Round Splice Box – Five Threaded Outlets – 1-1/2" Deep						
5361-0	16.0 (262.2)	Gray	(5) 1/2"	Shrink	16	
5361-1	16.0 (262.2)	White	(5) 1/2"	Shrink	16	
5361-2	16.0 (262.2)	Bronze	(5) 1/2"	Shrink	16	
5361-5	16.0 (262.2)	Gray	(5) 1/2"	Carded	6	
5361-6	16.0 (262.2)	White	(5) 1/2"	Carded	6	
5361-7	16.0 (262.2)	Bronze	(5) 1/2"	Carded	6	
5372-0	16.0 (262.2)	Gray	(5) 3/4"	Shrink	16	

ROUND EXTENSION ADAPTERS
APPLICATIONS

- For use with 4" round splice boxes
- Extension adapters are used to increase box capacity and allow the installer to add "take-offs" to new boxes/devices

PRODUCT FEATURES

- Rugged die-cast construction
- Reinforced connector outlets
- Durable powder coat finish
- Includes installation hardware, closure plugs, gasket and multilingual instructions

COMPLIANCES

- UL – File E195978
- NEMA 3R Rated


5363-0

CATALOG #	CUBIC IN. (CM ³)	DESCRIPTION COLOR	OUTLETS	PKG. TYPE	STD. PKG.	BARCODE
4" Round Extension Adapter – Four Threaded Outlets – 1-1/2" Deep						
5363-0	16.3 (267.1)	Gray	(4) 1/2"	Shrink	16	

MULTICONFIGURATION COVERS

MX1050S
MX1050Z
MX1050W

MX1250S, W, Z

MX1550S
APPLICATIONS

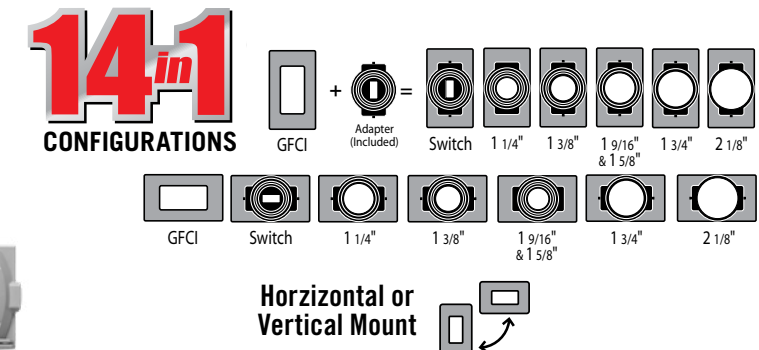
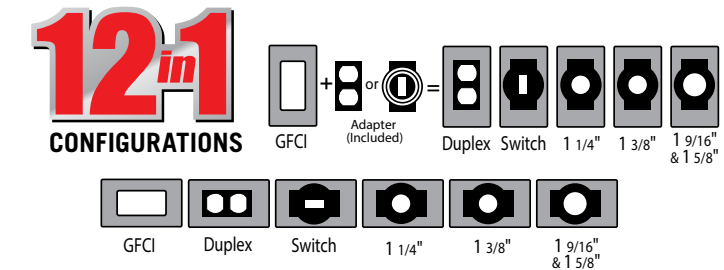
- For use whenever weatherproof protection is required for an outdoor receptacle or switch

PRODUCT FEATURES

- Heavy duty die-cast metal construction
- Quick-fit keyhole mounting system allows cover installation in under a minute
- Includes gasket and mounting hardware
- Universal Fit Adapter System Technology (U-Fast) comes pre-configured for GFCI
- Durable powder coat finish
- Horizontal or vertical mount
- Lockable tab (fits up to 1/8" shackle)

COMPLIANCES

- UL – File E212332
- Meets NEC® 406.9 (A) Requirements
- NEMA 3R rated



CATALOG #	DESCRIPTION	COLOR	PKG. TYPE	STD. PKG.	BARCODE
1-Gang Flip Covers					
MX1050S	Vertical/Horizontal	Gray	Shrink	20	
MX1050W	Vertical/Horizontal	White	Shrink	20	
MX1050Z	Vertical/Horizontal	Bronze	Shrink	20	
MX1250S	Horizontal/Vertical	Gray	Shrink	20	
MX1250W	Horizontal/Vertical	White	Shrink	20	
MX1250Z	Horizontal/Vertical	Bronze	Shrink	20	
MX1550S	Vertical/Horizontal Twist Lock Cover	Gray	Shrink	10	

METAL 1-GANG DEVICE COVERS
METAL 1-GANG DEVICE COVERS
DIE-CAST ALUMINUM RAYNTITE® COVERS
APPLICATION

- For use whenever weatherproof protection is required for an outdoor receptacle

PRODUCT FEATURES

- Rugged die-cast construction
- Durable powder coat finish provides maximum weatherability and scratch-resistance
- Self-closing lids assure weatherproof protection when the receptacle is not in use
- Vertical mount covers are padlockable (fits up to 3/16" shackle)
- May be mounted to box or device
- Includes installation hardware, gasket and multilingual instruction

COMPLIANCES

- – File E195978
- Meets NEC® 406.9 (A) Requirements
- NEMA 3R rated



CATALOG #	DESCRIPTION	COLOR	PKG. TYPE	STD. PKG.	BARCODE
Rayntite® Vertical Mount – Device Covers					
5026-0	Single, 1.593" diameter	Gray	Shrink	24	
5027-0	Duplex	Gray	Shrink	24	
5028-0	GFCI	Gray	Shrink	24	
5028-5	GFCI	Gray	Carded	6	
5028-6	GFCI	White	Carded	6	
5029-0	20A, 1.710" diameter	Gray	Shrink	12	
5030-0	30-50A, 2.150" diameter	Gray	Shrink	12	
5031-0	Single, 1.406" diameter	Gray	Shrink	12	

VERTICAL FLIP COVERS


CATALOG #	DESCRIPTION	COLOR	PKG. TYPE	STD. PKG.	BARCODE
Device Mount					
5146-0	Duplex	Gray	Shrink	24	
5146-1	Duplex	White	Shrink	24	
5146-5	Duplex	Gray	Carded	6	
5103-0	GFCI	Gray	Shrink	24	
5103-1	GFCI	White	Shrink	24	
5103-2	GFCI	Bronze	Shrink	24	
5103-5	GFCI	Gray	Carded	6	
5103-6	GFCI	White	Carded	6	
5103-7	GFCI	Bronze	Carded	6	
5155-0	Single, 1.406" diameter	Gray	Shrink	24	
5155-1	Single, 1.406" diameter	White	Shrink	24	
5155-5	Single, 1.406" diameter	Gray	Carded	6	
5155-6	Single, 1.406" diameter	White	Carded	6	
Box Mount					
5095-0	Duplex	Gray	Shrink	24	

APPLICATION

- For use whenever weatherproof protection is required for an outdoor receptacle

PRODUCT FEATURES

- Rugged metallic construction
- Durable powder coat finish provides maximum weatherability and scratch-resistance
- Self-closing lids assure weatherproof protection when the receptacle is not in use
- Includes installation hardware, gasket and multilingual instructions

COMPLIANCES

- – File E195978
- Meets NEC® 406.9 (A) Requirements
- NEMA 3R rated

METAL 1-GANG DEVICE COVERS
METAL 2-GANG DEVICE COVERS
HORIZONTAL FLIP COVERS
APPLICATION

- For use whenever weatherproof protection is required for an outdoor receptacle

PRODUCT FEATURES

- Rugged metallic construction
- Durable powder coat finish provides maximum weatherability and scratch-resistance
- Self-closing lids assure weatherproof protection when the receptacle is not in use
- Includes installation hardware, gasket and multilingual instructions

COMPLIANCES

- – File E195978
-
- Meets NEC® 406.9 (A) Requirements
- NEMA 3R rated


MULTICONFIGURATION COVERS

APPLICATIONS

- For use whenever weatherproof protection is required for an outdoor receptacle or switch

PRODUCT FEATURES

- Heavy duty die-cast metal construction
- Quick-Fit keyhole mounting system allows cover installation in under a minute
- Includes gasket and mounting hardware
- Universal Fit Adapter System Technology (U-Fast) comes pre-configured for GFCI
- Durable powdercoat finish
- Horizontal or vertical mount
- Lockable tab (fits up to 1/8" shackle)

COMPLIANCES

- – File E212332
- Meets NEC® 406.9 (A) Requirements
- NEMA 3R rated

CATALOG #	DESCRIPTION	COLOR	PKG. TYPE	STD. PKG.	BARCODE
Device Mount					
5180-0	Duplex	Gray	Shrink	24	
5180-1	Duplex	White	Shrink	24	
5180-2	Duplex	Bronze	Shrink	24	
5180-5	Duplex	Gray	Carded	6	
5180-6	Duplex	White	Carded	6	
5180-7	Duplex	Bronze	Carded	6	
5101-0*	GFCI	Gray	Shrink	24	
5101-1*	GFCI	White	Shrink	24	
5101-2*	GFCI	Bronze	Shrink	24	
5101-5*	GFCI	Gray	Carded	6	
5101-6*	GFCI	White	Carded	6	
5101-7*	GFCI	Bronze	Carded	6	
5102-0	GFCI	Gray	Shrink	24	
5152-0	Single, 1.406" diameter	Gray	Shrink	24	
5153-0	Motor plug base, 1.600" diameter, 125V, 15A wiring device included	Gray	Shrink	12	
5712-5WRTR*	125V, 15A WR/TR Duplex receptacle included	Gray	Carded	6	

* C/UL Listed

CATALOG #	DESCRIPTION	COLOR	PKG. TYPE	STD. PKG.	BARCODE
2-Gang Flip Covers					
MX2050S	2-Device 25-in-1	Gray	Shrink	6	
MX2050WH	2-Device 25-in-1	White	Shrink	4	
MX2050Z	2-Device 25-in-1	Bronze	Shrink	4	
MX2150S	1-Device 3-in-1	Gray	Shrink	4	

METAL LOCKING COVER

METAL 2-GANG DEVICE COVERS

HEAVY DUTY CAST FLUSH WEATHERPROOF

APPLICATIONS

- For use whenever weatherproof protection is required for an outdoor receptacle or switch
- Easily mounts to any 3-3/4" through 4-11/16" square box

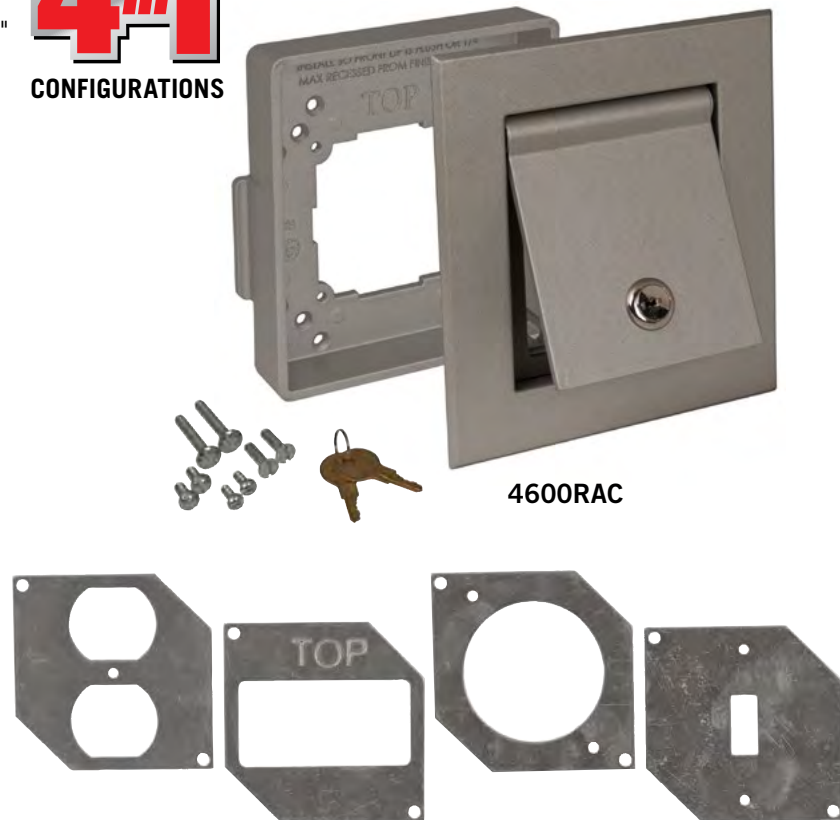
PRODUCT FEATURES

- Heavy duty cast aluminum construction with durable enamel paint
- Cobra Cam lock, key removal in locked and unlocked positions
- 2 keys provided
- Universal Fit Adapter System Technology (U-Fast) for 4-in-1 custom device configurations, comes pre-configured for GFCI
- Irradiation crosslinked polyethylene foam gasket
- Mounting hardware included
- Adapters included for various devices

COMPLIANCES

- cULus – File E212332
- Meets NEC® 406.9 (A) Requirements
- NEMA 3R rated

4 in 1
CONFIGURATIONS



4600RAC



CATALOG #	DESCRIPTION	COLOR	PKG. TYPE	STD. PKG.	BARCODE
4600RAC	1-Device 4-in-1, Heavy duty, weatherproof	Gray	Boxed	1	

DIE-CAST ALUMINUM RAYNTITE® COVERS



5033-0

5034-0

5036-0

5043-0

5045-0

APPLICATION

- For use whenever weatherproof protection is required for an outdoor receptacle

PRODUCT FEATURES

- Rugged die-cast construction
- Durable powder coat finish provides maximum weatherability and scratch resistance
- Self-closing lids assure weatherproof protection when the receptacle is not in use
- Covers are padlockable (fits up to 3/16" shackle)
- May be mounted to box or device
- Includes installation hardware, gasket and multilingual instructions

COMPLIANCES

- cUL – File E195978
- Meets NEC® 406.9 (A) Requirements
- NEMA 3R rated

CATALOG #	DESCRIPTION	COLOR	PKG. TYPE	STD. PKG.	BARCODE
Rayntite® Vertical Mount – Device Covers					
5033-0	(1) Duplex & (1) GFCI	Gray	Shrink	6	
5034-0	(1) 30-50A Receptacle 2.625" diameter	Gray	Shrink	6	
5036-0	(1) 30-50A Receptacle 2.156" diameter	Gray	Shrink	6	
5043-0	(1) Toggle & (1) GFCI	Gray	Shrink	6	
5045-0	(2) GFCI	Gray	Shrink	6	

METAL 2-GANG DEVICE COVERS
METAL 3-GANG DEVICE COVERS
2-GANG FLIPCOVERS
APPLICATION

- For use whenever weatherproof protection is required for an outdoor receptacle

PRODUCT FEATURES

- Rugged metallic construction
- Durable powder coat finish provides maximum weatherability and scratch resistance
- Self-closing lids assure weatherproof protection when the receptacle is not in use
- Includes installation hardware, gasket and multilingual instructions

COMPLIANCES

- cUL_{us} – File E195978
- UL – File E195978
- Meets NEC® 406.9 (A) Requirements
- NEMA 3R rated

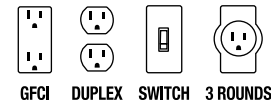

5148-0 to 5148-5

5157-0

5145-0

CATALOG #	DESCRIPTION	COLOR	PKG. TYPE	STD. PKG.	BARCODE
Device Mount					
5148-0	(2) Duplex	Gray	Shrink	18	
5148-5	(2) Duplex	Gray	Carded	4	
5157-0	(2) Single, 1.406" dia.	Gray	Shrink	18	
Box Mount					
5145-0	(2) GFCI	Gray	Shrink	10	

MULTICONFIGURATION COVER

CONFIGURATIONS

MX3050S

CATALOG #	DESCRIPTION	COLOR	PKG. TYPE	STD. PKG.	BARCODE
3-Gang Flip Covers					
MX3050S	3-Device 125-in-1	Gray	Shrink	5	

APPLICATIONS

- For use whenever weatherproof protection is required for an outdoor receptacle or switch

PRODUCT FEATURES

- Heavy duty die-cast metal construction
- Quick-Fit keyhole mounting system allows cover installation in under a minute
- Includes gasket and mounting hardware
- Universal Fit Adapter System Technology (U-Fast) for 125-in-1 custom device configurations, comes pre-configured for GFCI

- Durable powder coat finish
- Horizontal or vertical mount
- Lockable tab (fits up to 3/16" shackle)

COMPLIANCES

- cUL_{us} – File E212332
- Meets NEC® 406.9 (A) Requirements
- NEMA 3R rated

BOX MOUNT FLIP COVER

5093-0

CATALOG #	DESCRIPTION	COLOR	PKG. TYPE	STD. PKG.	BARCODE
3-Gang Flip Covers					
5093-0	(3) Single, 1.406" dia.	Gray	Boxed	1	

APPLICATIONS

- For use whenever weatherproof protection is required for an outdoor receptacle

PRODUCT FEATURES

- Rugged metallic construction
- Durable powder coat finish provides maximum weatherability and scratch resistance
- Self-closing lids assure weatherproof protection when the receptacle is not in use
- Includes installation hardware, gasket and multilingual instructions

COMPLIANCES

- cUL_{us} – File E195978
- Meets NEC® 406.9 (A) Requirements
- NEMA 3R Rated

FLIP COVER COMBOS AND COMPLETE KITS
APPLICATION

- Receptacle and metal cover combos for use whenever weatherproof protection is required in wet, damp, or dry location

PRODUCT FEATURES

- High quality Hubbell WRTR device included
- Heavy duty die-cast metal construction
- Includes gasket and mounting hardware
- Durable powder coat finish
- Lockable tab (see cover listings for shackle dia.)
- Includes receptacle and cover
- Each kit is a convenient, complete weatherproof installation – no need to purchase separate components

COMPLIANCES

- – File E212332 (MD/MG series)
- – File E313240 (5839 series)
- – File E346152 (5874/MK series)
- Meets NEC® 406.9 (A) Requirements
- NEMA 3R rated


MD1050S
MG1050S

MD1250S
MG1250S

5839-5WRTR to 5839-7WRTR

5874-5S to 5874-6S

MK1250S, WH

CATALOG #	DESCRIPTION	COLOR	PKG. TYPE	STD. PKG.	BARCODE
Receptacle / Flip Cover Combos					
MD1050S	Hubbell WR/TR 15A GFCI Duplex/ Vertical/Horizontal Flip Cover Combo	Gray	Shrink	8	
MG1050S	Hubbell WR/TR 15A Self Test GFCI / Vertical/Horizontal Flip Cover Combo	Gray	Shrink	6	
MD1250S	Hubbell WR/TR 15A GFCI Duplex / Horizontal/Vertical Flip Cover Combo	Gray	Shrink	8	
MG1250S	Hubbell WR/TR 15A Self Test GFCI / Horizontal/Vertical Flip Cover Combo	Gray	Shrink	6	
Complete Flip Cover Kits					
5839-5WRTR	Flip Cover, WR/TR Duplex, GFCI	Gray	Box	4	
5839-6WRTR	Flip Cover, WR/TR Duplex, GFCI	White	Box	4	
5839-7WRTR	Flip Cover, WR/TR Duplex, GFCI	Bronze	Box	4	
5874-5S	Self Test GFCI	Gray	Box	4	
5874-6S	Self Test GFCI	White	Box	4	
MK1250S	GFCI Duplex	Gray	Clamshell	4	
MK1250WH	Duplex	White	Clamshell	4	

METAL BOX COVERS

5173-0 to 5173-7
5173-1
5173-2
5174-0

5175-0 to 5175-5
5177-0

CATALOG #	DESCRIPTION	COLOR	PKG. TYPE	STD. PKG.	BARCODE
1-Gang Blank Covers - Device Mount					
5173-0	Blank Cover	Gray	Shrink	50	
5173-1	Blank Cover	White	Shrink	50	
5173-2	Blank Cover	Bronze	Shrink	50	
5173-5	Blank Cover	Gray	Carded	12	
5173-6	Blank Cover	White	Carded	12	
5173-7	Blank Cover	Bronze	Carded	12	
1-Gang Blank Covers - Box Mount					
5174-0	Blank Cover	Gray	Shrink	50	
2-Gang Blank Covers - Device Mount					
5175-0	Blank Cover	Gray	Shrink	25	
5175-1	Blank Cover	White	Shrink	25	
5175-2	Blank Cover	Bronze	Shrink	25	
5175-5	Blank Cover	Gray	Carded	6	
3-Gang Blank Covers - Box Mount					
5177-0	Blank Cover	Gray	Boxed	10	

APPLICATION

- For use whenever weatherproof protection is required for a weatherproof box

PRODUCT FEATURES

- Rugged metallic construction
- Durable powder coat finish provides maximum weatherability and scratch-resistance

COMPLIANCES

- – File E195978
- NEC® Compliant
- NEMA 3R Rated

ROUND BOX COVERS

5374-0
5374-1
5374-2

CATALOG #	DESCRIPTION	COLOR	PKG. TYPE	STD. PKG.	BARCODE
4" Round Cover					
5374-0	Round, Blank Cover	Gray	Shrink	30	
5374-1	Round, Blank Cover	White	Shrink	20	
5374-2	Round, Blank Cover	Bronze	Shrink	20	

APPLICATION

- For use with 4" round splice boxes

PRODUCT FEATURES

- Rugged metallic construction
- Durable powder coat finish
- Includes installation hardware, gasket and multilingual instructions

COMPLIANCES

- – File E195978
- NEC® Compliant
- NEMA 3R Rated

METAL ROCKER SWITCH COVERS

METAL TOGGLE SWITCH COVERS

METAL DECORATOR SWITCH COVERS

APPLICATION

- A convenient and stylish switch for BBQ island, patio, deck, exterior walls, pool and spa and more

PRODUCT FEATURES

- Convenient on/off rocker switch
- Internal elastomer membrane
- Compatible with single pole or 3-way decorator switches

COMPLIANCES

- cULus – File E116141
- NEC® Compliant
- NEMA 3R Rated



5122-0*



5123-0



5123-1



5123-2



5127-0



5127-1



5127-2



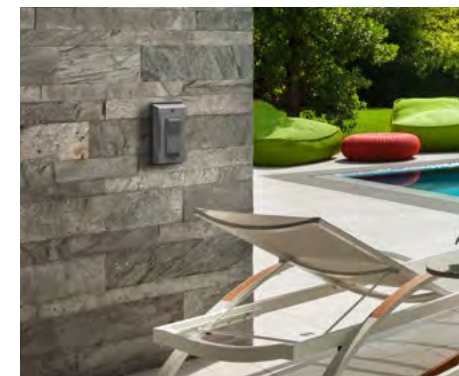
5129-0



5129-1



5129-2



CATALOG #	DESCRIPTION	COLOR	PKG. TYPE	STD. PKG.	BARCODE
Weatherproof Decorator Switch Covers					
5122-0	Weatherproof Decorator Switch Cover and Switch*	Gray	Clamshell	6	
5123-0	Weatherproof Decorator Switch Cover	Gray	Shrink	10	
5123-1	Weatherproof Decorator Switch Cover	White	Shrink	10	
5123-2	Weatherproof Decorator Switch Cover	Bronze	Shrink	10	
5127-0	2-Gang Weatherproof Decorator Switch Cover	Gray	Shrink	6	
5127-1	2-Gang Weatherproof Decorator Switch Cover	White	Shrink	6	
5127-2	2-Gang Weatherproof Decorator Switch Cover	Bronze	Shrink	6	
5129-0	3-Gang Weatherproof Decorator Switch Cover	Gray	Shrink	2	
5129-1	3-Gang Weatherproof Decorator Switch Cover	White	Shrink	2	
5129-2	3-Gang Weatherproof Decorator Switch Cover	Bronze	Shrink	2	

* 15A 120/277 VAC single pole decorator switch included.



5121-0 to 5121-5
5141-0 to 5141-5
5128-0, 5137-0



5124-0, 5124-5



5125-0



5167-0



5166-0WRTR to
5166-5WRTR



5201-0



5126-0

APPLICATION

- For use whenever weatherproof protection is required for an “on-off” type switch

PRODUCT FEATURES

- Rugged metallic construction
- Durable powder coat finish provides maximum weatherability and scratch resistance.
- Includes installation hardware and multilingual instructions
- Most units supplied with switch(es) – no need to purchase separate components
- Switch/cover units are supplied with the switch unassembled to the cover

COMPLIANCES

- cUL – File E195978
- NEC® Compliant
- NEMA 3R Rated

CATALOG #	DESCRIPTION	COLOR	PKG. TYPE	STD. PKG.	BARCODE
1-Gang Switch Covers – Vertical – Device Mounted					
5121-0	SP 125V, 15A	Gray	Shrink	24	
5121-1	SP 125V, 15A	White	Shrink	24	
5121-2	SP 125V, 15A	Bronze	Shrink	24	
5121-5	SP 125V, 15A	Gray	Carded	6	
5141-0	3-Way 125V, 6A or 250V, 3A	Gray	Shrink	8	
5141-5	3-Way 125V, 6A or 250V, 3A	Gray	Carded	6	
5128-0	SP 120-277VAC, 20A	Gray	Shrink	20	
5137-0	DP 120-277VAC, 20A	Gray	Shrink	20	
2-Gang Switch Covers – Device Mounted					
5124-0	(2) SP 125V, 15A	Gray	Shrink	8	
5124-5	(1) SP & (1) 3-Way 125V, 15A Toggle switch	Gray	Carded	4	
5125-0	Cover only	Gray	Shrink	8	
5166-0WRTR	(1) SP 125V, 15A & (1) WR/TR Duplex Receptacle	Gray	Shrink	8	
5166-5WRTR	(1) SP 125V, 15A & (1) WR/TR Duplex Receptacle	Gray	Carded	4	
5167-0	2-Gang, Switch/GFCI Cover	Gray	Shrink	8	
3-Gang Switch Cover – Device Mount					
5126-0	(3) SP 125V, 15A	Gray	Boxed	1	
Toggle Switch					
5201-0	SP 125V, 15A Toggle switch	–	Polybag	10	

DIE-CAST LAMPHOLDER/CLUSTER COVERS
DIE-CAST LAMPHOLDERS
APPLICATIONS

- For use with BELL® 1-Gang rectangular or round weather-proof boxes
- Cluster covers provide an easy means of mounting BELL® lampholders and other accessories

PRODUCT FEATURES

- Rugged die-cast construction
- Durable powder coat finish provides maximum weatherability and scratch-resistance
- Includes installation hardware, gasket and multilingual instructions
- Three-hole covers are supplied with two closure plugs

COMPLIANCES

- – Standard 514A
- NEC® Compliant
- NEMA 3R Rated



CATALOG #	DESCRIPTION	COLOR	PKG. TYPE	STD. PKG.	BARCODE
Rectangular Cluster Covers					
5186-0	(1) 1/2" Outlet	Gray	Shrink	20	
5186-1	(1) 1/2" Outlet	White	Shrink	20	
5186-2	(1) 1/2" Outlet	Bronze	Shrink	20	
5186-5	(1) 1/2" Outlet	Gray	Carded	6	
5186-6	(1) 1/2" Outlet	White	Carded	6	
5186-7	(1) 1/2" Outlet	Bronze	Carded	6	
5189-0	(3) 1/2" Outlets	Gray	Shrink	20	
5189-1	(3) 1/2" Outlets	White	Shrink	20	
5189-2	(3) 1/2" Outlets	Bronze	Shrink	20	
5189-5	(3) 1/2" Outlets	Gray	Carded	6	
5189-6	(3) 1/2" Outlets	White	Carded	6	
5189-7	(3) 1/2" Outlets	Bronze	Carded	6	
4" Round Cluster Covers					
5193-0	(1) 1/2" Outlet	Gray	Shrink	20	
5193-1	(1) 1/2" Outlet	White	Shrink	20	
5193-2	(1) 1/2" Outlet	Bronze	Shrink	20	
5193-5	(1) 1/2" Outlet	Gray	Carded	6	
5193-6	(1) 1/2" Outlet	White	Carded	6	
5193-7	(1) 1/2" Outlet	Bronze	Carded	6	
5197-0	(3) 1/2" Outlets	Gray	Shrink	20	
5197-1	(3) 1/2" Outlets	White	Shrink	20	
5197-2	(3) 1/2" Outlets	Bronze	Shrink	20	
5197-5	(3) 1/2" Outlets	Gray	Carded	6	
5197-6	(3) 1/2" Outlets	White	Carded	6	
5197-7	(3) 1/2" Outlets	Bronze	Carded	6	



CATALOG #	DESCRIPTION	COLOR	PKG. TYPE	STD. PKG.	BARCODE
Lampholders and Accessories for 75-150 Watt Par 38 Lamps					
5606-0	Lampholder	Gray	Shrink	30	
5606-1	Lampholder	White	Shrink	30	
5606-2	Lampholder	Bronze	Shrink	30	
5606-5	Lampholder	Gray	Carded	6	
5606-6	Lampholder	White	Carded	6	
5606-7	Lampholder	Bronze	Carded	6	
5612-0	Lampholder w/gasket	Gray	Shrink	30	
5611-0	Outer gasket only, replacement gasket for 5612-0	–	Polybag	15	
Architectural Lampholders for 75-150 Watt Par 38 Lamps					
5613-0	Lampholder	Gray	Shrink	4	
5613-1	Lampholder	White	Shrink	4	
5613-2	Lampholder	Bronze	Shrink	4	

APPLICATIONS

- For outdoor or indoor lighting use
- For use with BELL® cluster covers and boxes

PRODUCT FEATURES

- Rugged metallic construction
- Durable powder coat finish provides maximum weatherability and scratch-resistance
- Locking swivel knuckle assures positive lamp positioning and provides pinpoint directional aiming
- Extra long wire leads for easy hook-up
- Each lampholder supplied with a porcelain socket, inside gasket, 1/2" locknut and multilingual instructions

COMPLIANCES

- – Standard 1598
- NEC® Compliant
- NEMA 3R Rated

SWIVEL JOINT LAMPHOLDERS


CATALOG #	DESCRIPTION	COLOR	PKG. TYPE	STD. PKG.	BARCODE
120V Halogen Swivel Lampholder					
LHS100S	75W Halogen Bulb Included (GY 8.6 TYPE 4)	Gray	Shrink	6	
LHS100W	75W Halogen Bulb Included (GY 8.6 TYPE 4)	White	Shrink	6	
LHS100Z	75W Halogen Bulb Included (GY 8.6 TYPE 4)	Bronze	Shrink	6	
Traditional or CFL Swivel Lampholder					
LTS100S	Uses Par 38 Bulb (150W Maximum, Not Included)	Gray	Shrink	10	
LTS100WH	Uses Par 38 Bulb (150W Maximum, Not Included)	White	Shrink	10	
LTS100Z	Uses Par 38 Bulb (150W Maximum, Not Included)	Bronze	Shrink	10	

APPLICATION

- For general outdoor lighting use in wet, damp or dry locations

PRODUCT FEATURES

- Superior commercial quality die-cast metal construction
- Premium powder coat finish
- LTS100 include porcelain sockets and external weatherproof gaskets. CFL compatible
- LHS uses halogen bulb which last up to 3 times longer and produce almost 50% more light as incandescent bulbs
- No-tool easy-mount feature
- Swivel joint for easy directional lighting

COMPLIANCES

- – File E310337
- NEC® Compliant
- NEMA 3R Rated

DIE-CAST LED FLOODLIGHTS

METAL BULLET LAMPHOLDER AND PORTABLE LAMPHOLDERS

APPLICATION

- Use to light outdoor hard-to-see areas for added convenience

PRODUCT FEATURES

- 85% less energy consumption (8W)
- 800 lumens (LL800 series) equal to a 60W incandescent
- Die-cast aluminum heads
- Swivel joint for easy light adjustment
- 120VAC 60Hz
- Long life - up to 50,000 hours

COMPLIANCES

- - NEC and NEMA 3R

APPLICATION

- Use to light outdoor hard-to-see areas for added convenience

PRODUCT FEATURES

- Commercial Grade
- 85% less energy consumption (13W)
- 1200 lumens (equal to 75W Incandescent)
- Die-cast aluminum heads
- Unique locking swivel joint for easy light adjustment
- 120/277VAC 50/60Hz
- Long life - up to 50,000 hours
- 6" lead wires

COMPLIANCES

- - NEC and NEMA 3R
- D1.C4.0 CERTIFIED

LED SWIVEL FLOODLIGHTS



CAT. #	DESCRIPTION	COLOR	PKG. TYPE	STD. PKG.	BAR-CODE
LED Swivel Floodlight for Outdoor Use in Wet Locations					
LL800S	Weatherproof LED Floodlight 8W/800 Lumen Warm White	Gray	Box	4	
LL800W	Weatherproof LED Floodlight 8W/800 Lumen Warm White	White	Box	4	
LL800Z	Weatherproof LED Floodlight 8W/800 Lumen Warm White	Bronze	Box	4	



CAT. #	DESCRIPTION	COLOR	PKG. TYPE	STD. PKG.	BAR-CODE
LED Swivel Floodlight for Outdoor Use in Wet Locations					
LL1200S	Weatherproof LED Floodlight 13W/1200 Lumen Warm White	Gray	Box	4	
LL1200W	Weatherproof LED Floodlight 13W/1200 Lumen Warm White	White	Box	4	
LL1200Z	Weatherproof LED Floodlight 13W/1200 Lumen Warm White	Bronze	Box	4	

LED KIT WITH MOTION SENSOR SWITCH



CATALOG #	DESCRIPTION	COLOR	PKG. TYPE	STD. PKG.	BARCODE
Round Cover, Light and Motion Sensor Kit					
5882-5	Weatherproof LED Flood Light Kit with Motion Sensor	Gray	Box	4	
5882-6	Weatherproof LED Flood Light Kit with Motion Sensor	White	Box	4	
5882-7	Weatherproof LED Flood Light Kit with Motion Sensor	Bronze	Box	4	



APPLICATION

- Use to light outdoor hard-to-see areas for added convenience

PRODUCT FEATURES

- Warm white LED flood lights (3000K) 2000 lumens 26W
- Die-cast aluminum heads and cover
- Multidirectional swivel joint for easy light adjustment
- 180° motion sensor with duration, sensitivity and photocell controls (See part number 5639-5 pg. D29)
- 2 additional 1/2" threaded openings with closure plug
- 120VAC
- Product Warranty: 5 years

COMPLIANCES

- - NEC and NEMA 3R



CATALOG #	DESCRIPTION	COLOR	PKG. TYPE	STD. PKG.	BARCODE
Bullet Lampholders - for 75-150 Watt Par 38 and R-40 Lamps					
5820-8	Lampholder	Green	Boxed	2	

APPLICATION

- For general outdoor lighting use
- Use with BELL® cluster covers and boxes

PRODUCT FEATURES

- Rugged die-cast
- Locking swivel knuckle
- Assure positive lamp positioning and provides pinpoint directional aiming
- Includes installation hardware and multilingual instructions

COMPLIANCES

- NEC® Compliant
- NEMA 3R rated

PORTABLE LAMPHOLDERS



CATALOG #	DESCRIPTION	COLOR	PKG. TYPE	STD. PKG.	BARCODE
Portable Spike Lights					
SPLED2Z	6.5 Watts Warm White LED 350 Lumens	Bronze	Box	4	
SPLED500Z	9 Watts Warm White LED 540 Lumens	Bronze	Box	4	
SL101B	Uses Par 38 Bulb (150W Maximum, Not Included)	Bronze	Clamshell	10	
5792-0	Spike, 6 ft. cord & plug	Gray	Polybag	12	

APPLICATION

- For general outdoor lighting use in wet, damp or dry locations

PRODUCT FEATURES

- Rugged die-cast construction
- Durable powder coat finish provides maximum weatherability and scratch-resistance
- Locking swivel knuckle assures positive lamp positioning and provides pin-point directional aiming
- SPLED2Z – Long lasting energy efficient 6.5 Watts/350 Lumens
- SPLED500Z – Multidirectional swivel joint/long life: 50,000 hours - energy efficient 9 Watts/540 Lumens

COMPLIANCES

- - File E310318 (SL101B/SPLED500Z)
- NEC® Compliant
- NEMA 3R rated

DIE-CAST LAMPHOLDER COMBINATIONS

LIGHT KITS

APPLICATION

- For use with BELL® 1-Gang rectangular or round weatherproof boxes

PRODUCT FEATURES

- Rugged metallic construction
- Durable powder coat finish provides maximum weatherability and scratch-resistance
- Each combination kit is a complete weatherproof installation – no need to purchase separate components
- Includes installation hardware, gasket and multilingual instructions

COMPLIANCES

- – File E225082
- NEC® Compliant
- NEMA 3R Rated



CATALOG #	DESCRIPTION	COLOR	PKG. TYPE	STD. PKG.	BARCODE
Rectangular Cover – Combinations for 75-150 Watt Par 38 Lamps					
5620-0	(1) Lampholder	Gray	Shrink	8	
5620-5	(1) Lampholder	Gray	Carded	4	
5621-0	(2) Lampholders	Gray	Shrink	8	
5621-5	(2) Lampholders	Gray	Carded	4	
5621-6	(2) Lampholders	White	Carded	4	
5621-7	(2) Lampholders	Bronze	Carded	4	
4" Round Cover – Combinations for 75-150 Watt Par 38 Lamps					
5624-0	(1) Lampholder	Gray	Shrink	8	
5624-1	(1) Lampholder	White	Shrink	8	
5624-2	(1) Lampholder	Bronze	Shrink	8	
5624-5	(1) Lampholder	Gray	Carded	4	
5624-6	(1) Lampholder	White	Carded	4	
5625-0	(2) Lampholders	Gray	Shrink	8	
5625-1	(2) Lampholders	White	Shrink	8	
5625-2	(2) Lampholders	Bronze	Shrink	8	
5625-5	(2) Lampholders	Gray	Carded	4	
5625-6	(2) Lampholders	White	Carded	4	
5625-7	(2) Lampholders	Bronze	Carded	4	

APPLICATION

- For general lighting use in wet, damp or dry locations

PRODUCT FEATURES

- Each kit is a complete weatherproof installation – no need to purchase separate components
- Each kit includes easy-to-follow multilingual instructions
- All kit components are described in the preceding pages

COMPLIANCES

-
- NEC® Compliant
- NEMA 3R Rated



CATALOG #	DESCRIPTION	COLOR	PKG. TYPE	STD. PKG.	BARCODE
Rectangular Light Kits for 75-150 Watt Par 38 Lamps					
5883-5	Box, cover, photocell & (2) lampholders	Gray	Boxed	4	
5883-6	Box, cover, photocell & (2) lampholders	White	Boxed	4	
5818-5	Box, cover & (2) lampholders	Gray	Boxed	4	
5818-6	Box, cover & (2) lampholders	White	Boxed	4	
4" Round Light Kits for 75-150 Watt Par 38 Lamps					
5829-5	Box, cover & (2) lampholders	Gray	Boxed	4	
5829-6	Box, cover & (2) lampholders	White	Boxed	4	
5841-5	Box, cover, photocell & (2) lampholders	Gray	Boxed	4	
5841-6	Box, cover, photocell & (2) lampholders	White	Boxed	4	
5876-5	Box, cover & (2) architectural lampholders	Gray	Boxed	4	
5876-6	Box, cover & (2) architectural lampholders	White	Boxed	4	
5876-7	Box, cover & (2) architectural lampholders	Bronze	Boxed	4	

METALLIC GARDEN LIGHTS

ACCESSORIES

APPLICATION

- For accent lighting along walkways, driveways, terraces, porches and garden areas

PRODUCT FEATURES

- Rugged die-cast construction
- Durable powder coat finish provides maximum weatherability and scratch-resistance
- Includes screw-in clear glass globe, wire connectors, gasket, and multilingual instructions
- Three-tier lights accept 40W maximum lamps
- Four-tier lights accept 60W maximum lamps

COMPLIANCE

-



CATALOG #	DESCRIPTION	COLOR	PKG. TYPE	STD. PKG.	BARCODE
Incandescent Type Threaded 1/2" Npt - 18" Leads					
5884-8	3-Tier	Green	Box	2	
5893-8	4-Tier	Green	Box	2	
Replacement Globes for Garden					
5694-0	For 3-tier	Clear	Carton	4	
5695-0	For 4-tier	Clear	Carton	4	

MOTION SENSOR SWITCH



CATALOG #	DESCRIPTION	OUTER CTN. QTY.	STD. PKG.	BARCODE
Motion Sensor Switch				
5639-5	Weatherproof motion sensor switch, Gray	10	1	
5639-6	Weatherproof motion sensor switch, White	10	1	
5639-7	Weatherproof motion sensor switch, Bronze	10	1	

APPLICATION

- For use whenever outdoor motion detection is needed in unlit areas

PRODUCT FEATURES

- Swivel joint for easy aiming
- 180° motion sensor with duration, sensitivity and photocell controls
- Standard 1/2" threaded mount
- 120VAC

COMPLIANCES

- – NEC & NEMA 3R

PHOTOCELL



CATALOG #	DESCRIPTION	COLOR	PKG. TYPE	STD. PKG.	BARCODE
Photoelectric Eye Switch					
5638-5	Swivel Switch, locknut 2000W Tungsten 1800VA Ballast 120V 50-60HZ	Gray	Carded	6	
PE100	Outdoor Photoelectric Switch Rated 1000 Watts, Fits 1/2" Hole	Black	Poly Bag	10	

APPLICATION

- Use for darkness activated automatic control of night lighting from dusk to dawn
- Control porch lights, garden lights, post lanterns, barn lights, loading dock lights, outdoor signs etc.

PRODUCT FEATURES

- Durable weatherproof construction
- Built-in time delay prevents operation triggered by auto headlamps or other temporary light flashes

METAL CLOSURE PLUGS



5269-0 to 5269-10, 5270-0 to 5270-9, 5271-0

CATALOG #	DESCRIPTION	COLOR	PKG. TYPE	STD. PKG.	BARCODE
Closure Plugs					
5269-0	1/2" NPT	Gray	75 Polybags of 4	75 bags*	
5269-1	1/2" NPT	White	75 Polybags of 4	75 bags*	
5269-2	1/2" NPT	Bronze	75 Polybags of 4	75 bags*	
5269-5	1/2" NPT	Gray	12 Cards of 3	12 cards**	
5269-6	1/2" NPT	White	12 Cards of 3	12 cards**	
5269-7	1/2" NPT	Bronze	12 Cards of 3	12 cards**	
5269-9	1/2" NPT	Gray	Bulk	1000	–
5269-10	1/2" NPT	Bronze	Bulk	4500	–
5270-0	3/4" NPT	Gray	75 Polybags of 4	75 bags*	
5270-1	3/4" NPT	White	75 Polybags of 4	75 bags*	
5270-5	3/4" NPT	Gray	12 Cards of 3	12 cards**	
5270-9	3/4" NPT	Gray	Bulk	1000	–
5271-0	1" NPT	Gray	75 Polybags of 4	75 bags*	

APPLICATION

- For use with BELL® weatherproof boxes, extension adapters, cluster covers and round splice boxes to seal off unused outlets

PRODUCT FEATURES

- Gray closure plugs are die-cast zinc
- White and bronze closure plugs are nonmetallic

COMPLIANCE

- – File E195973

*Order in standard package bag quantities only – not per piece
 **Order in standard package card quantities only – not per piece

BOX MOUNTING LUGS

CATALOG #	DESCRIPTION	COLOR	PKG. TYPE	STD. PKG.	BAR CODE
Box Mounting Lugs & Screws					
5302-0	-	-	100 Polybags of 2	100	


5302-0
ROUND CLOSURE PLATES
APPLICATION

- Use in dry locations for closure of unused ceiling outlets

PRODUCT FEATURES

- Rugged metallic construction
- Durable powder coat paint finish provides a scratch-resistant surface

COMPLIANCE

- - File E195978


5652-1

5653-1

5654-1

CATALOG #	DESCRIPTION	COLOR	PKG. TYPE	STD. PKG.	BAR CODE
5" Round Closure Plates - Steel					
5652-1	Screw & universal mount strap	Off White	Shrink	10	
5653-1	(2) 8 - 32 screws, direct mount to fixture outlet box	Off White	Shrink	10	
5654-1	Fixture stud & universal mount strap	Off White	Shrink	10	

REPLACEMENT GASKETS
APPLICATION

- Replacement gaskets for BELL® weatherproof covers and lampholders

PRODUCT FEATURES

- Each gasket has cut outs for a toggle switch, duplex (5020-0 only) receptacle and 1.406" dia. round receptacle
- Remove cut outs for the duplex (5020-0 only) and round receptacles for a GFCI receptacle opening


5019-0

5017-0

5020-0

CATALOG #	DESCRIPTION	COLOR	PKG. TYPE	STD. PKG.	BARCODE
Rectangular Box/Cover Gaskets					
5019-0	1-Gang	Black	20 Cello bags of 2	20	
5017-0	1-Gang cover gasket, 4 Lampholder gaskets, 1 Round cover gasket	Black	20 Cello bags	20	
5020-0	2-Gang	Black	20 Cello bags of 2	20	

OUTDOOR CEILING FAN & LUMINAIRE BOXES

Safe & Secure
with a properly rated box!

APPLICATIONS

- Provides a safe and secure mounting and weatherproof wiring junction for outdoor fans, chandeliers or pendant lights
- Designed to enhance outdoor living spaces with the same convenience and comfort as indoors
- Perfect for porches, covered patios, pergolas

PRODUCT FEATURES

- Support fans up to **70lbs** or heavy luminaires up to **150lbs**
- Constructed of heavy duty PVC with integrated galvanized steel support bracket
- Five 3/4" threaded entries for conduit or fittings with four closure plugs
- Includes three reducer bushings (3/4" to 1/2")
- Box mounts parallel, perpendicular or 45° from a joist

COMPLIANCES

- Listed
- NEC and NEMA 3R Compliant


PRCF57550GY

PRCF57550WH

PRCF57550BZ


CATALOG #	DESCRIPTION	CU. IN. CAPACITY (when used w/collar)	THREADED ENTRIES	RECOMMENDED MAX. LOADS		STD. PKG.	BARCODE
				CEILING FAN (DYNAMIC) LBS.	FIXTURE (STATIC) LBS.		
4" Nonmetallic Outdoor Round Box, 1-1/2" Deep - Heavy Duty PVC w/Integrated Galvanized Steel Support Bracket							
PRCF57550GY	Ceiling Fan Luminaire Box, Gray	16.0"	(5) 3/4" or 1/2"	70	150	4	
PRCF57550WH	Ceiling Fan Luminaire Box, White	16.0"	(5) 3/4" or 1/2"	70	150	4	
PRCF57550BZ	Ceiling Fan Luminaire Box, Bronze	16.0"	(5) 3/4" or 1/2"	70	150	4	

NONMETALLIC BOXES
NONMETALLIC COVERS
OUTLET BOXES
APPLICATION

- For general use whenever weatherproof protection is required

PRODUCT FEATURES

- Durable high impact PVC construction
- Can be used for 1/2" and 3/4" conduit
- Includes 3/4" closure plugs and reducer bushings

COMPLIANCES

- UL Marine Listed
- Meets NEC® 406.9 (A) Requirements
- NEMA 3R Rated


PSB37550GY
PSB37550WH

PDB77550GY
PDB77550WH
PRB57550GY
PRB57550WH


CATALOG #	DESCRIPTION	CU. IN. (CM ³)	COLOR	PKG. TYPE	STD. PKG.	BARCODE
1-Gang Outlet Boxes, Three Threaded Outlets						
PSB37550GY	Three 1/2" or 3/4" Holes 2.0" Depth	16.5 (270.4)	Gray	Shrink	8	
PSB37550WH	Three 1/2" or 3/4" Holes 2.0" Depth	16.5 (270.4)	White	Shrink	5	
2-Gang Outlet Boxes, Seven Threaded Outlets						
PDB77550GY	Seven 1/2" or 3/4" Holes 2.0" Depth	26.5 (434.3)	Gray	Shrink	6	
PDB77550WH	Seven 1/2" or 3/4" Holes 2.0" Depth	26.5 (434.3)	White	Shrink	6	
Round Outlet Box, Five Threaded Outlets						
PRB57550GY	Five 1/2" / 3/4" Holes 1.5" Depth	13.5 (221.2)	Gray	Shrink	8	
PRB57550WH	Five 1/2" / 3/4" Holes 1.5" Depth	13.5 (221.2)	White	Shrink	8	

BLANK COVERS

PBC100GY
PBC100WH
PBC200GY
PBC200WH

PBC300GY
PBC300WH
APPLICATION

- For general use whenever weatherproof protection is required

PRODUCT FEATURES

- Durable high impact polycarbonate construction
- Includes attached gasket and mounting hardware

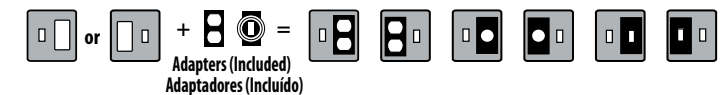
COMPLIANCES

- US
- NEC® Compliant
- NEMA 3R Rated

CATALOG #	DESCRIPTION	COLOR	PKG. TYPE	STD. PKG.	BARCODE
Blank Covers					
PBC100GY	Blank	Gray	Shrink	12	
PBC100WH	Blank	White	Shrink	12	
PBC200GY	Blank 2-Gang	Gray	Shrink	10	
PBC200WH	Blank 2-Gang	White	Shrink	10	
PBC300GY	Blank Round	Gray	Shrink	10	
PBC300WH	Blank Round	White	Shrink	10	

TOGGLE / DEVICE COVERS
Horseshoe Adapter Ensures a Snug Fit for Small and Large Head Switches

PTC100GY
PTC100WH
PTC200GY
PTC521GY
PTC521WH

8 in 1 CONFIGURATIONS


CATALOG #	DESCRIPTION	COLOR	PKG. TYPE	STD. PKG.	BARCODE
1-Gang Device Covers					
PTC100GY	Toggle	Gray	Shrink	5	
PTC100WH	Toggle	White	Shrink	3	
2-Gang Device Covers					
PTC200GY	Toggle/Toggle	Gray	Shrink	3	
PTC521GY	Toggle/GFCI	Gray	Shrink	3	
PTC521WH	Toggle/GFCI	White	Shrink	4	

NONMETALLIC LIGHTING

NONMETALLIC ACCESSORIES

LAMP HOLDERS

APPLICATION

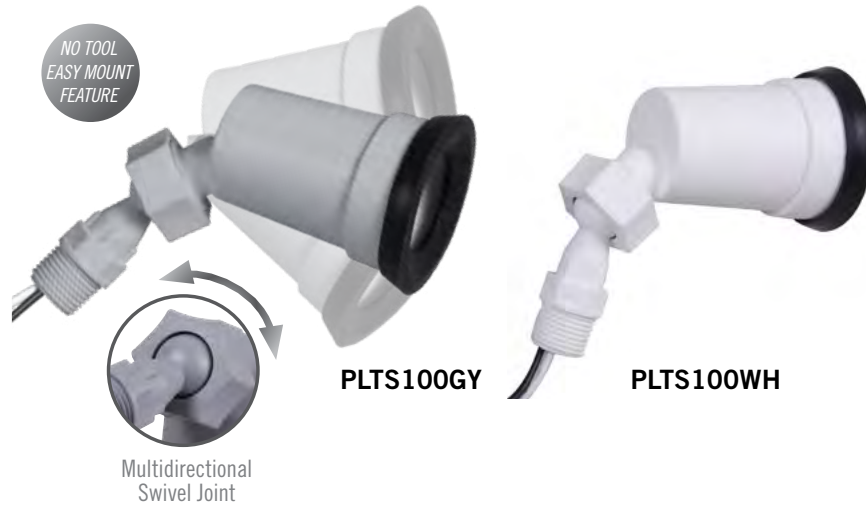
- For general outdoor lighting use in wet, damp or dry locations

PRODUCT FEATURES

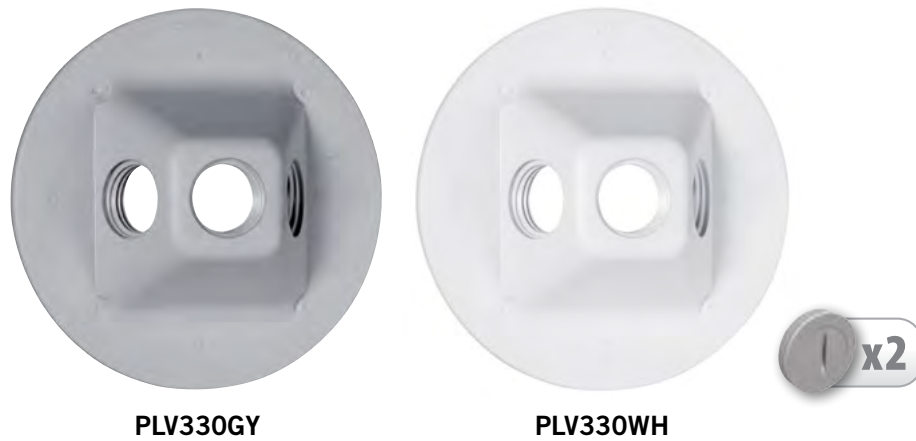
- Durable high impact PBT construction
- Includes attached gasket and mounting hardware

COMPLIANCES

- cULus
- NEC® Compliant
- NEMA 3R Rated



LAMP HOLDER COVERS



CATALOG #	DESCRIPTION	COLOR	PKG. TYPE	STD. PKG.	BARCODE
Lamp holders					
PLTS100GY	Swivel Lampholder	Gray	Shrink	12	
PLTS100WH	Swivel Lampholder	White	Shrink	12	
Lamp holder Covers					
PLV330GY	Three 1/2" Holes	Gray	Shrink	8	
PLV330WH	Three 1/2" Holes	White	Shrink	8	

NONMETALLIC CLOSURE PLUGS



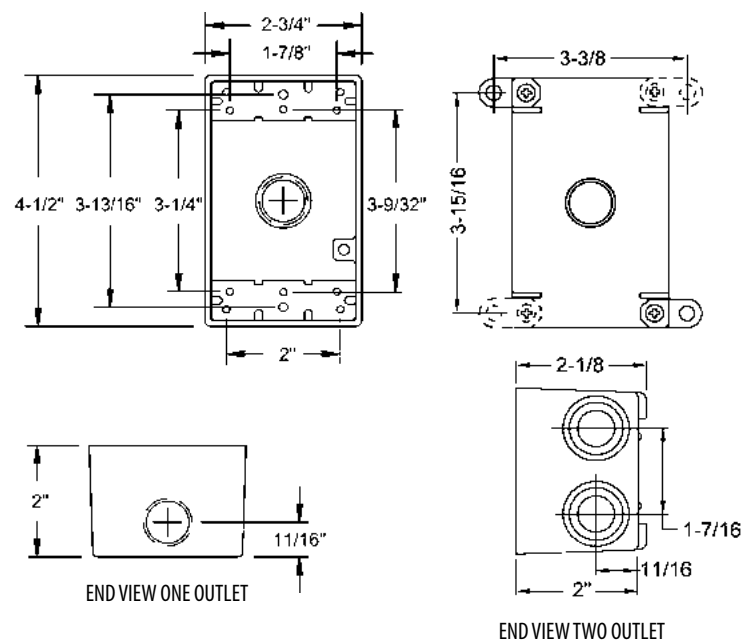
CATALOG #	DESCRIPTION	COLOR	PKG. TYPE	STD. PKG.	BAR CODE
Closure Plug Assortment (Pack of 4)					
PCP47550GY	Two 1/2", Two 3/4"	Gray	Poly Bag	30	
PCP47550WH	Two 1/2", Two 3/4"	White	Poly Bag	30	



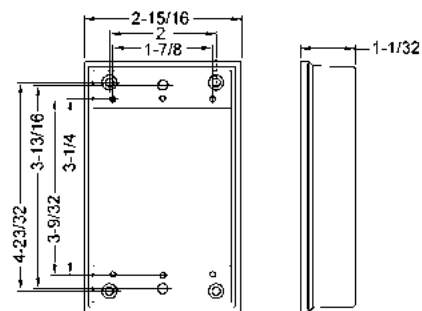
CATALOG #	DESCRIPTION	COLOR	PKG. TYPE	STD. PKG.	BAR CODE
Gaskets					
GK240	Bag of 2 Lampholder Gaskets	Black	Poly Bag	15	
Halogen Replacement Bulbs					
HB75W	75W Halogen Bulb (GY 8.6 Type 4)	Clear	Poly Bag	100	

DIE-CAST ALUMINUM BOXES AND EXTENSION RINGS

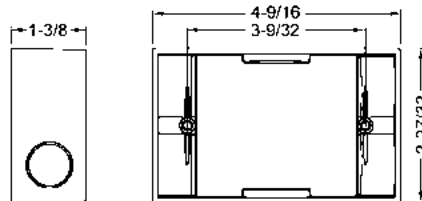
1-GANG BOXES (General Dimensions)



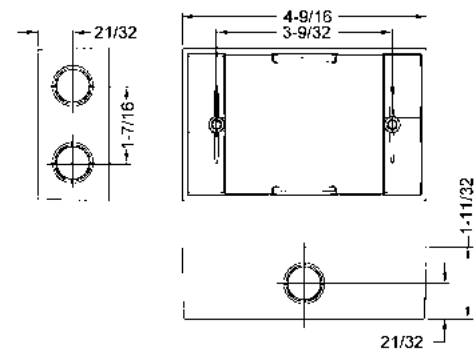
EXTENSIONS: 5406-0



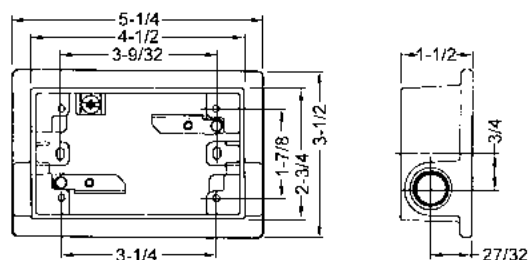
EXTENSIONS: 5399-0, 5403-0



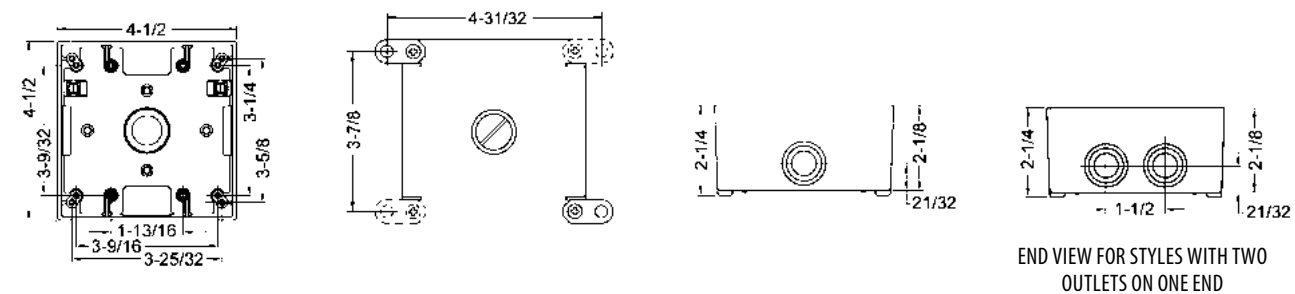
EXTENSIONS: 5400-0 SERIES



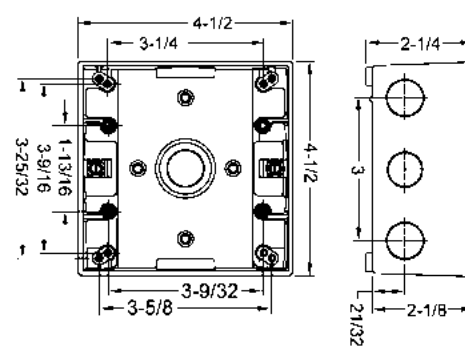
SWING ARM EXTENSION ADAPTERS: 5412-0 TO 5415-0



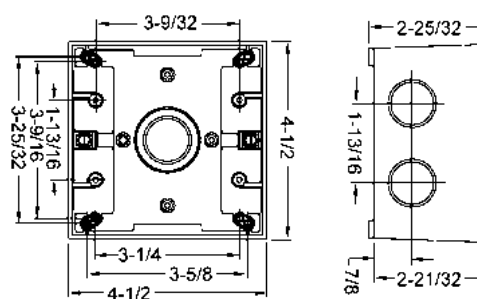
2-GANG BOXES (General Dimensions)



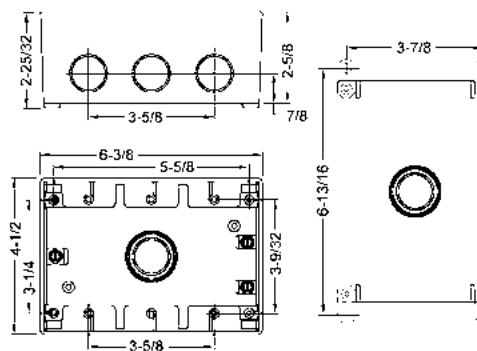
2-GANG BOXES WITH 7 OUTLETS
CAT. NOs. 5340-0, 5348-0



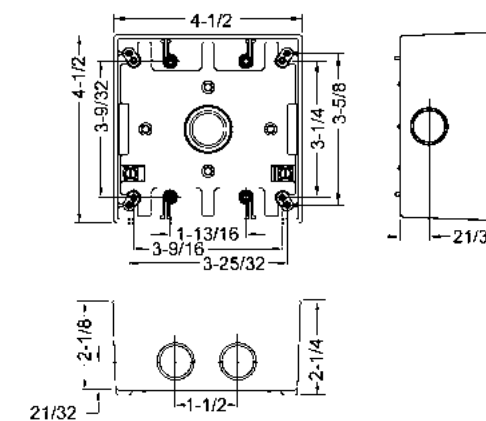
2-GANG BOXES WITH 5 OUTLETS
CAT. NOs. 5388-0, 5389-0



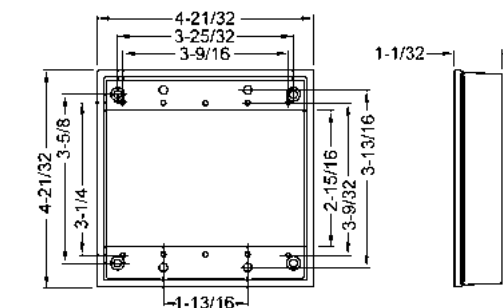
3-GANG BOX



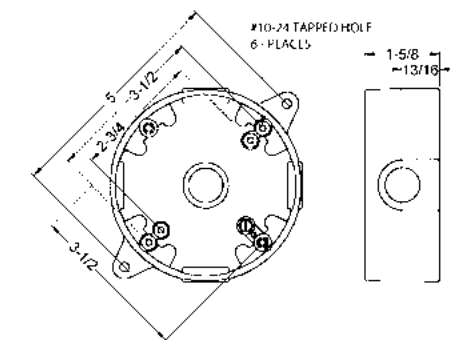
CAT. NOs. 5338-0, 5346-0



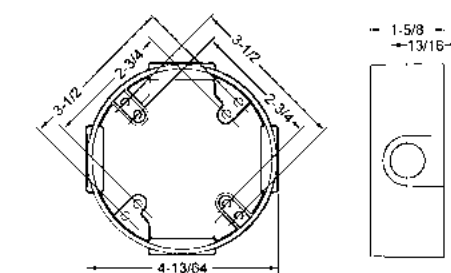
2-GANG EXTENSION



4" ROUND SPLICE BOXES

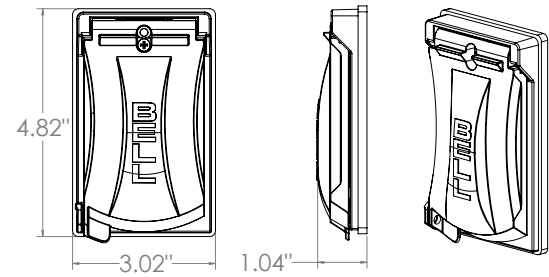


4" ROUND EXTENSION ADAPTERs

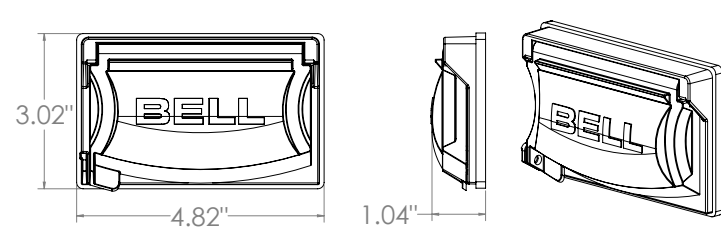


METALLIC 1-GANG DEVICE COVERS

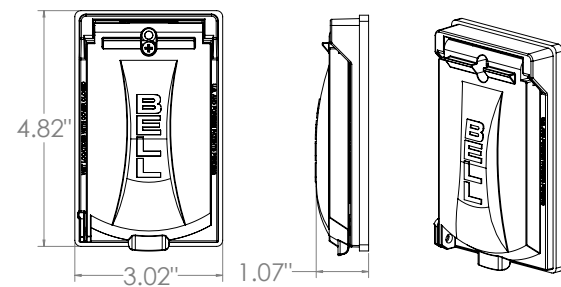
MX1050



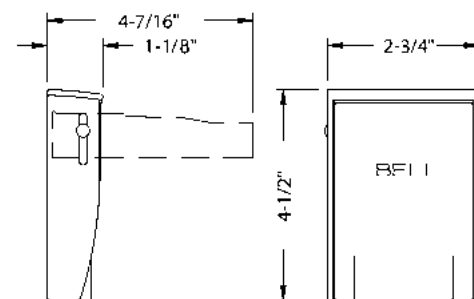
MX1250



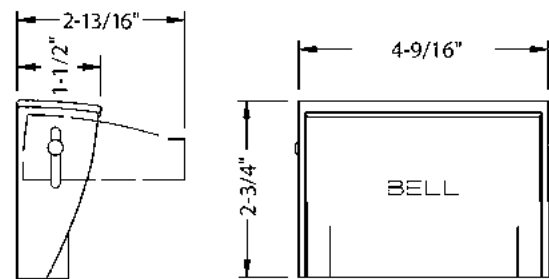
MX1550



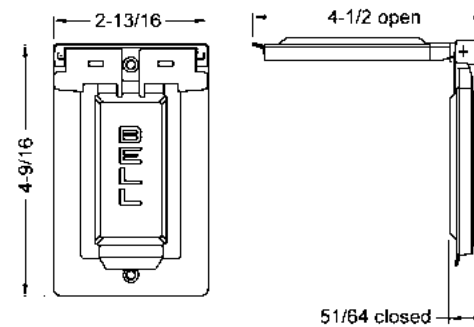
RAYNTITE® 1-GANG DEVICE COVERS – VERTICAL



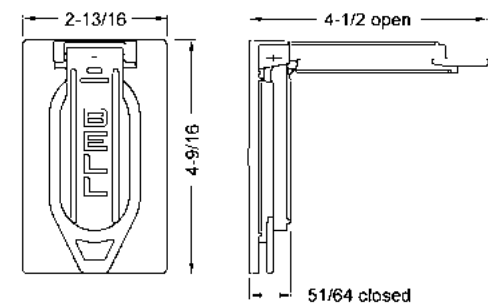
RAYNTITE® 1-GANG DEVICE COVERS – HORIZONTAL



GFCI STYLE COVERS

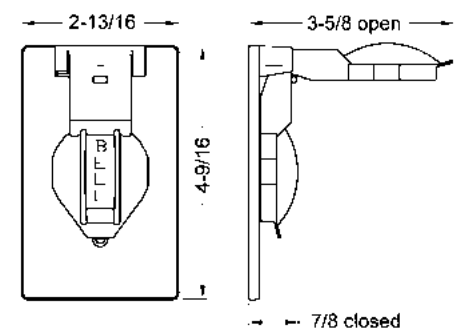


DUPLEX STYLE COVER

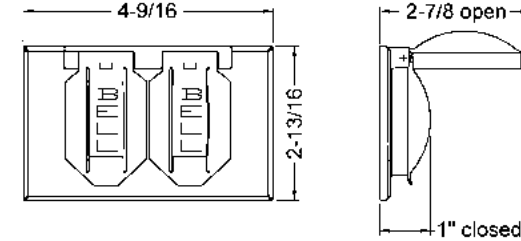


SINGLE RECEPTACLE STYLE COVERS

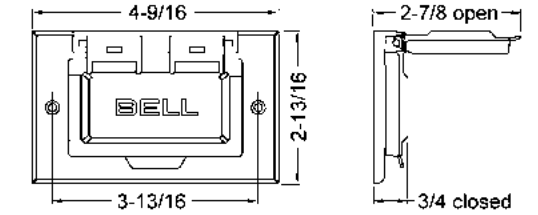
Note: device-mount and box-mount cover dimensions are the same



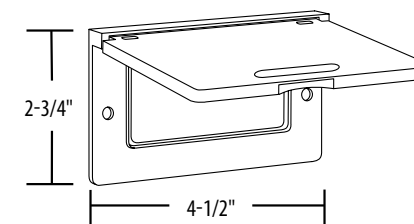
CAT. NOs. 5180-0 SERIES



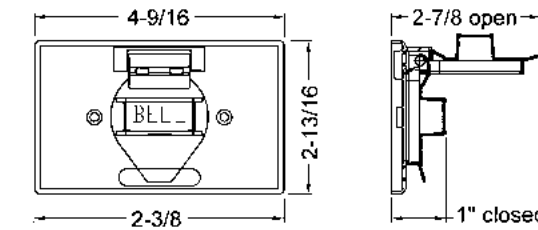
CAT. NO. 5101-0 series



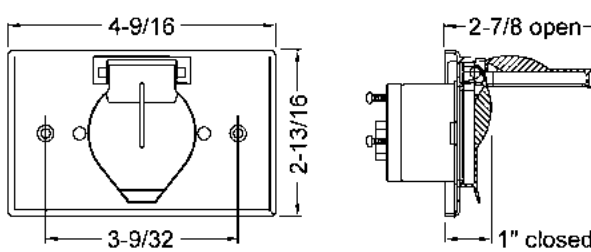
CAT. NO. 5102-0



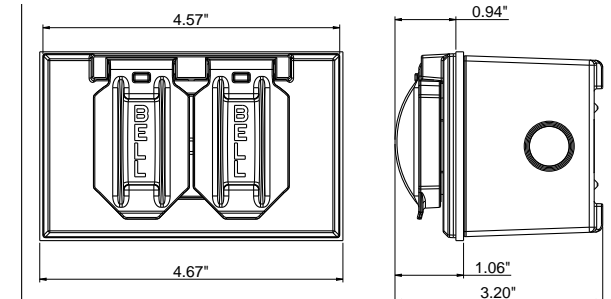
CAT. NO. 5152-0



CAT. NO. 5153-0

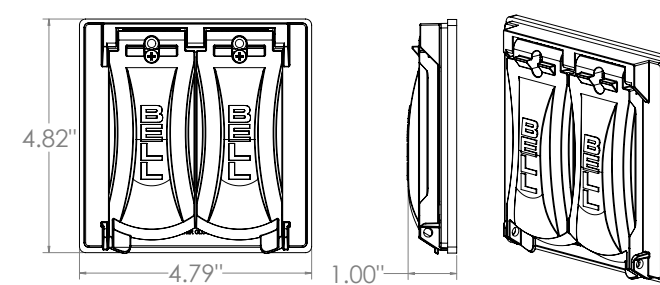


CAT. NO. 5712-5WRTR

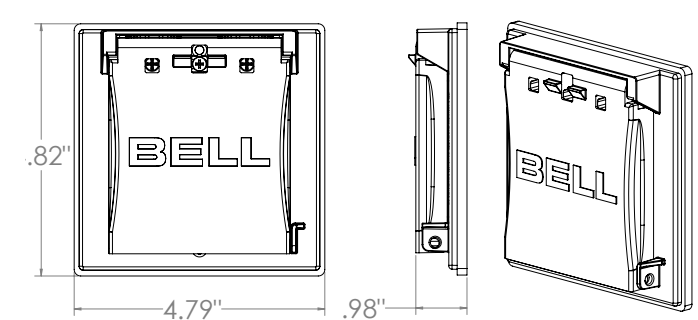


METALLIC 2-GANG DEVICE COVERS

MX2050

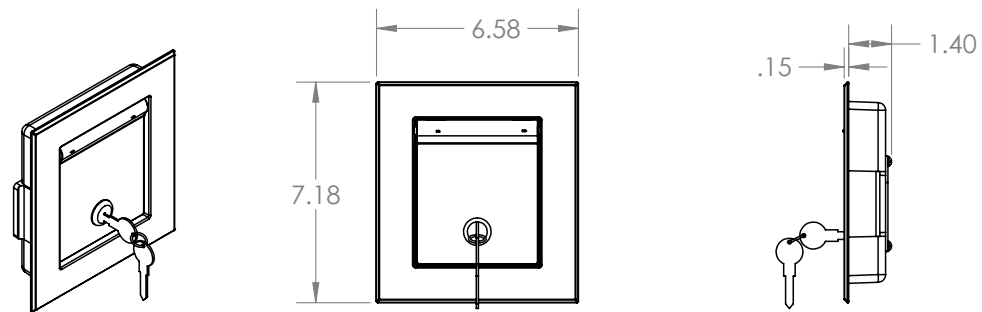


MX2150



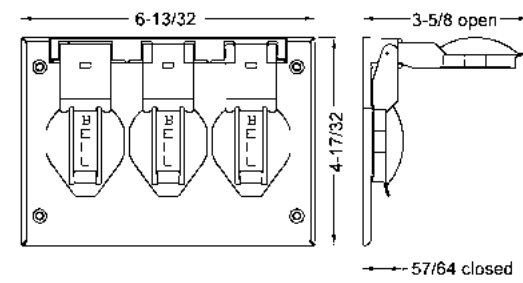
4600RAC

METALLIC 1-GANG LOCKING COVER



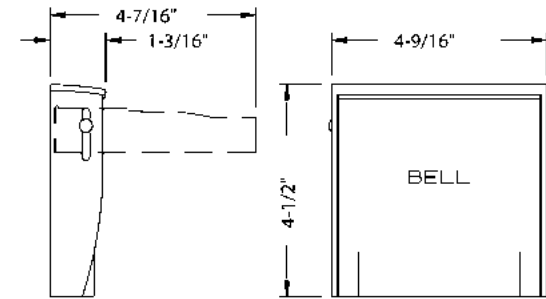
BOX MOUNT FLIP COVER

5093-0

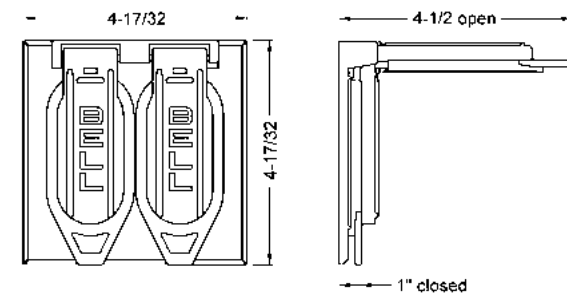


METALLIC 2-GANG DEVICE COVERS

RAYNTITE®

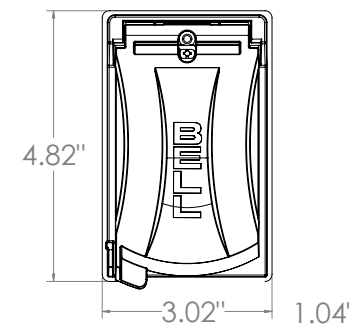


2-GANG DEVICE COVERS
5148-0 SERIES

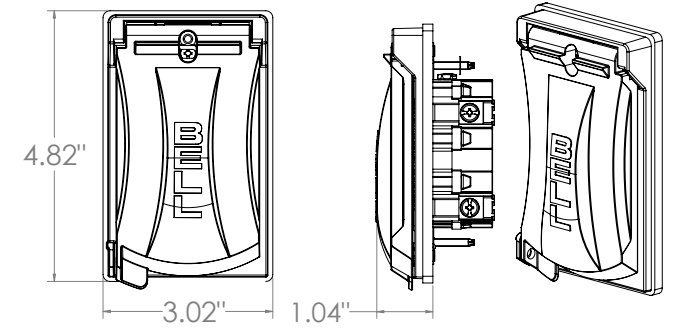


FLIP COVER COMBOS AND KITS

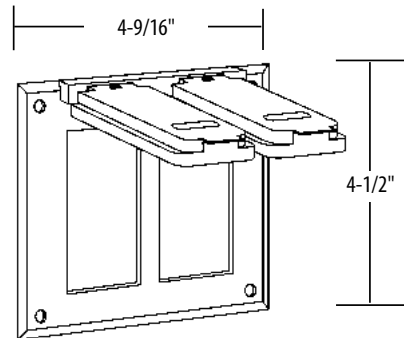
MD1050S



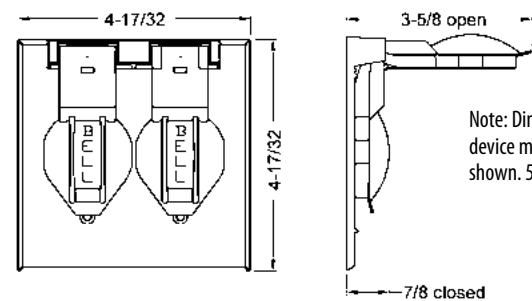
MG1050S



5145-0

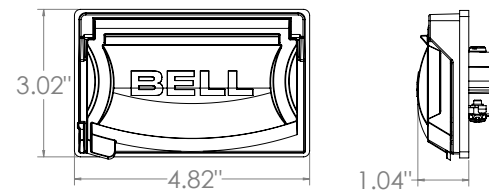


5157-0

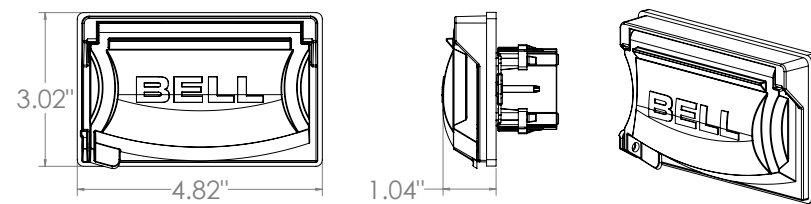


Note: Dimensions are the same for device mount and box mount styles shown. 5157-0 SERIES, 5092-0

MD1250S

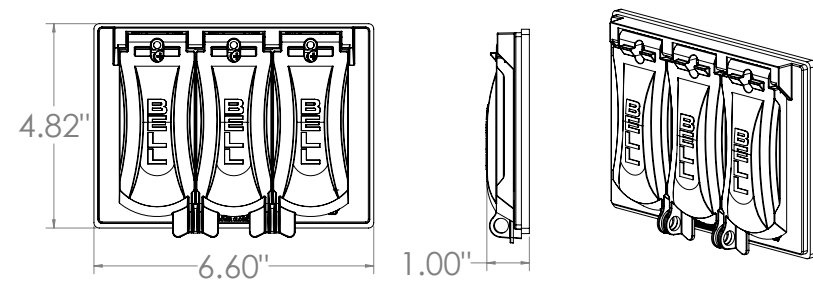


MG1250S

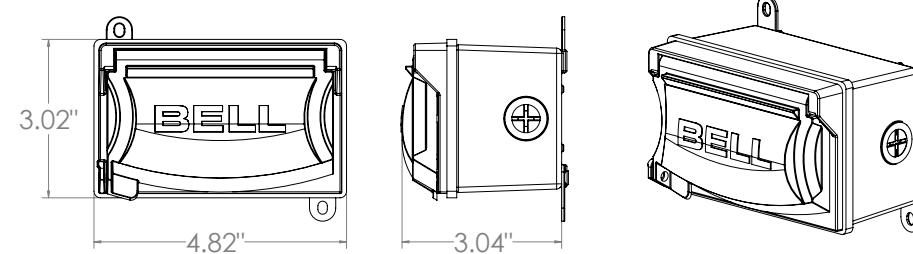


METAL 3-GANG DEVICE COVERS

MX3050

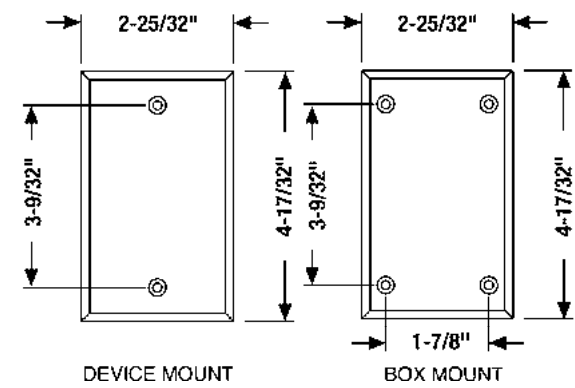


MK1250, 5874-5, 5874-6

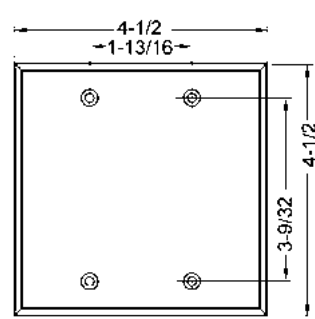


METAL COVERS

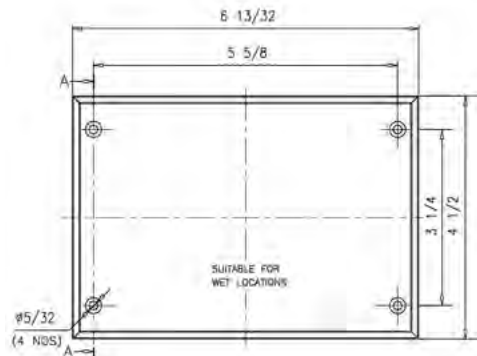
1-GANG BLANK COVERS



2-GANG

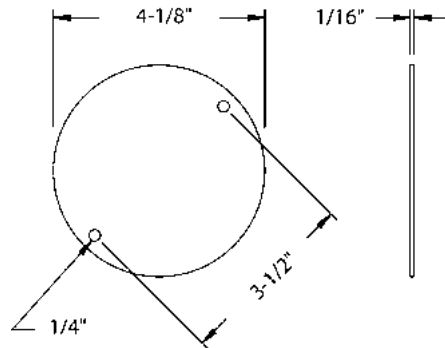


3-GANG



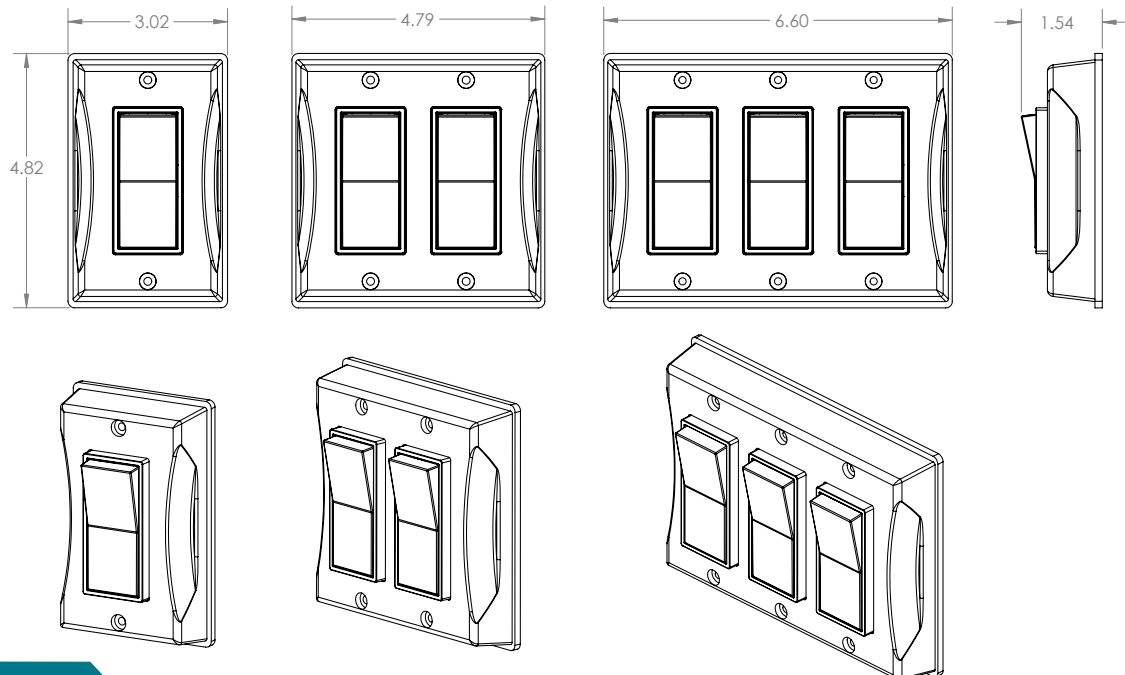
METALLIC ROUND BOX COVER

4" ROUND COVER



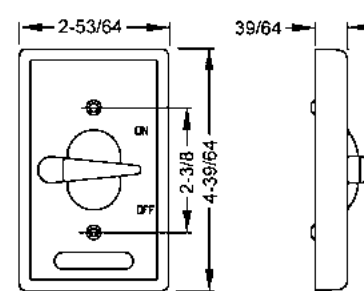
METAL ROCKER SWITCH COVERS

DECORATOR COVER SERIES

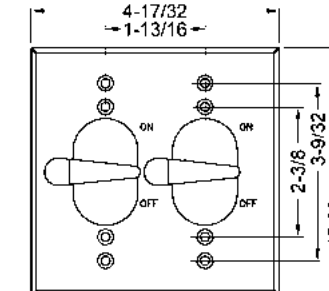


METALLIC TOGGLE SWITCH COVERS

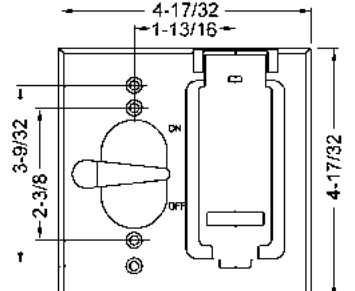
1-GANG
5121 SERIES, 5141 SERIES
CAT. NOS. 5128-0, 5137-0



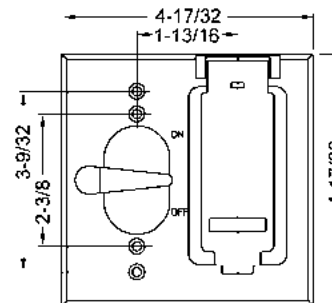
2-GANG
CAT. NO. 5124-0, 5125 SERIES



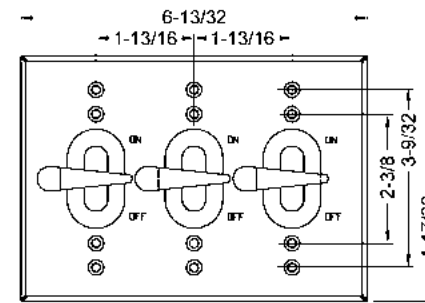
2-GANG 5167 SERIES



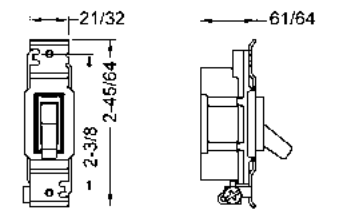
2-GANG 5166 SERIES



3-GANG
CATALOG NO. 5126-0

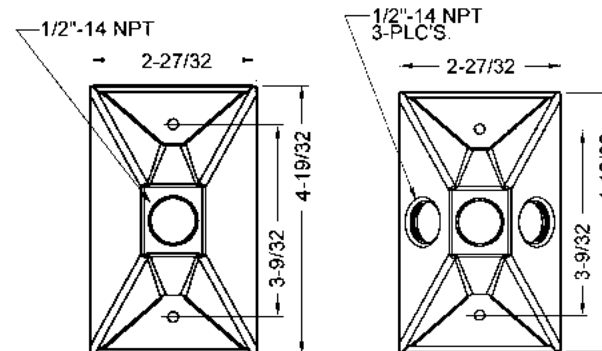


TOGGLE SWITCH
CATALOG NOS. 5201-0

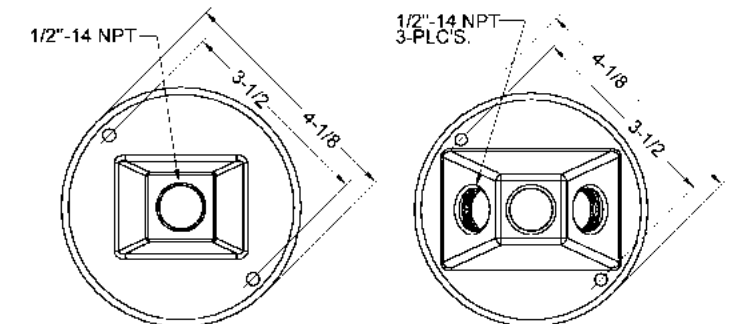


METALLIC LAMPHOLDER COVERS

RECTANGULAR CLUSTER COVERS
5186 SERIES, 5189 SERIES



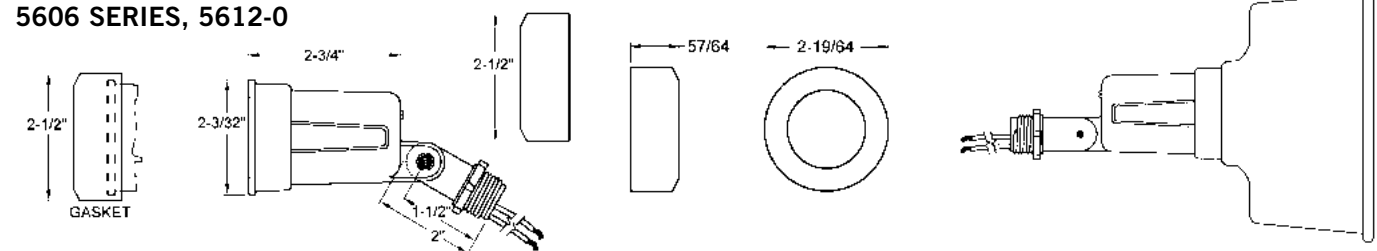
ROUND CLUSTER COVERS
5193 SERIES, 5197 SERIES



METALLIC LAMPHOLDERS AND LIGHTING

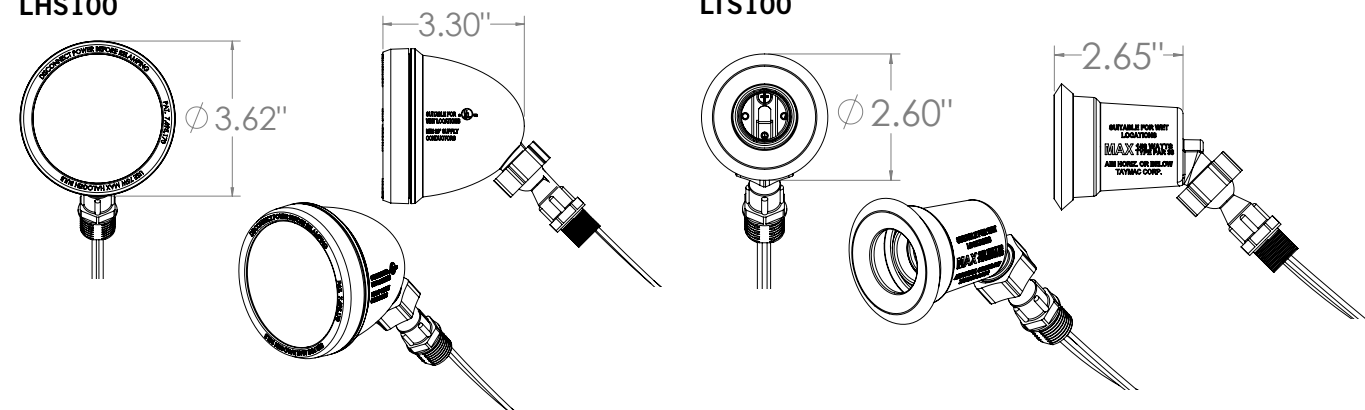
LAMPHOLDERS
5606 SERIES, 5612-0

CATALOG NO. 5611-0 5613 SERIES



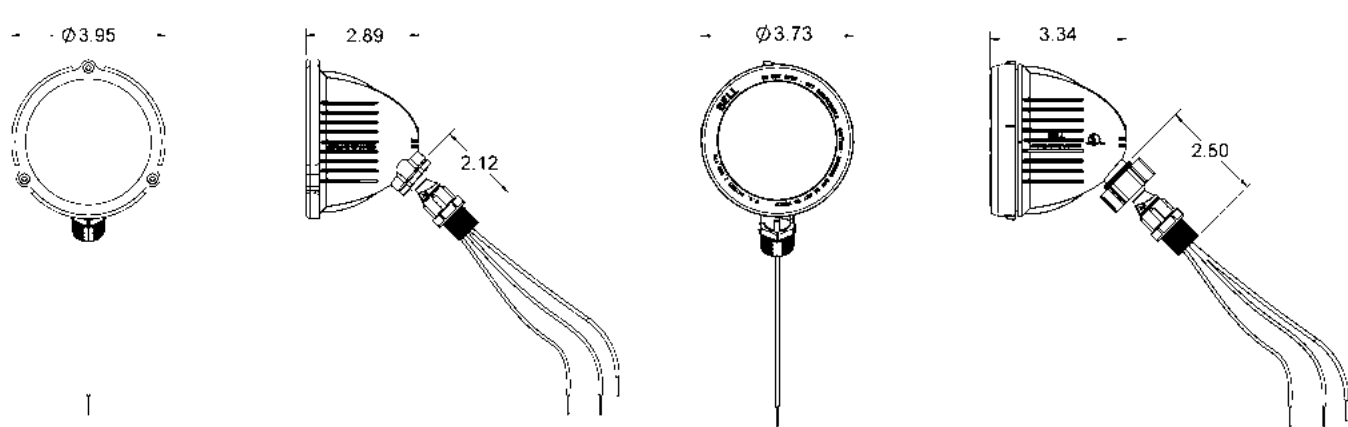
LHS100

LTS100



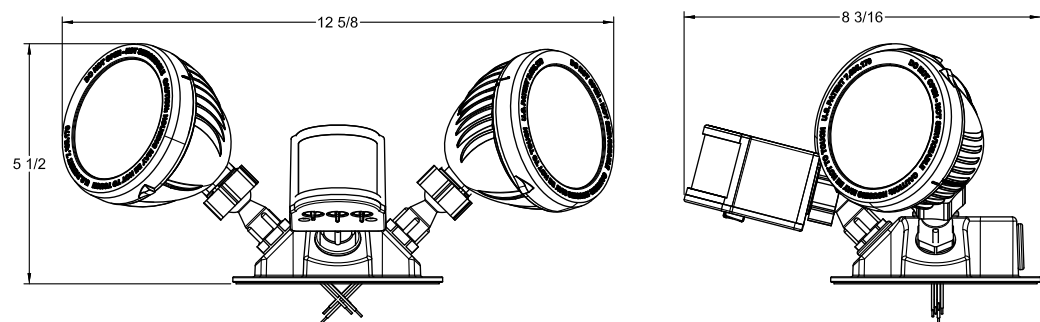
LL800

LL1200



LED KIT WITH MOTION SENSOR SWITCH

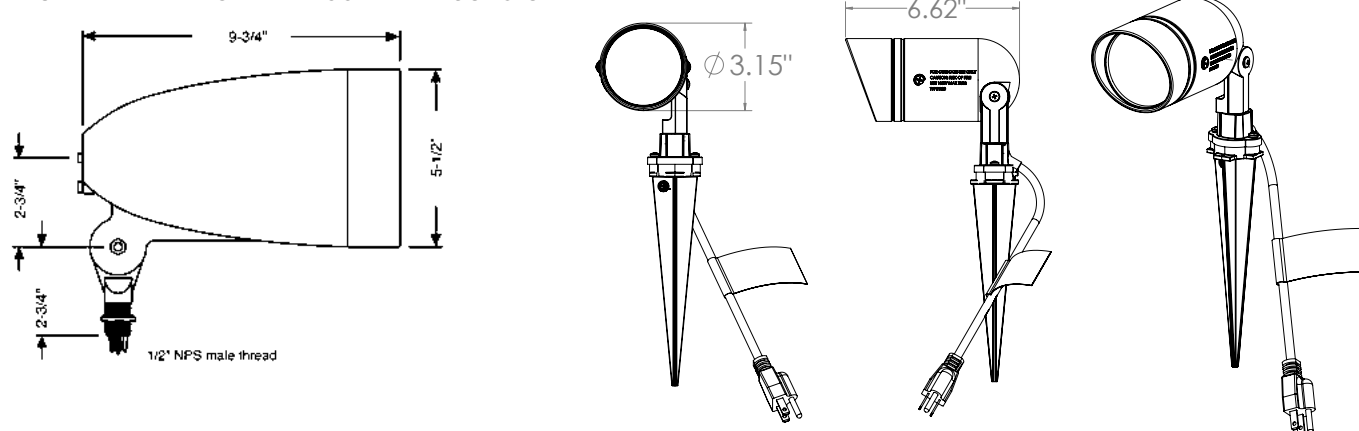
5882



METALLIC PORTABLE LAMPHOLDERS

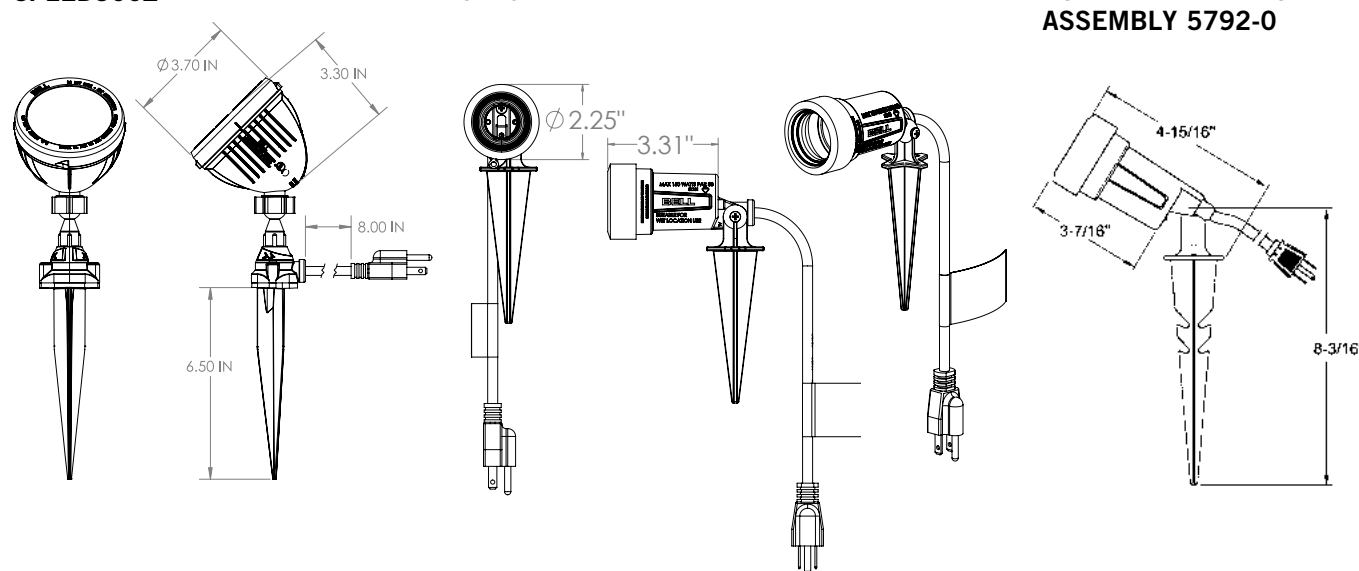
BULLET LAMPHOLDER ASSEMBLY 5820-8

SPLED2Z



SPLED500Z

SL101B



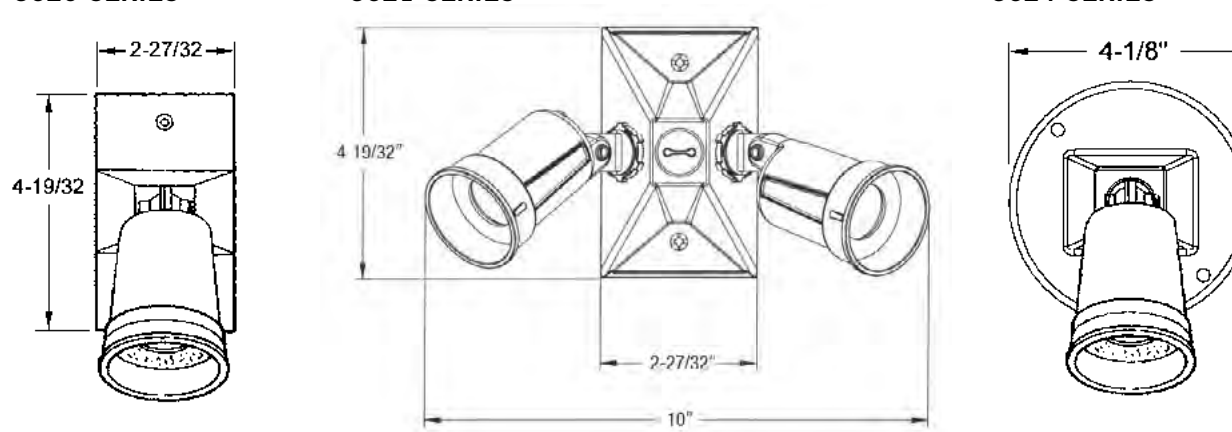
PORTABLE LAMPHOLDER
ASSEMBLY 5792-0

METALLIC LAMPHOLDER COMBINATIONS AND GARDEN LIGHT

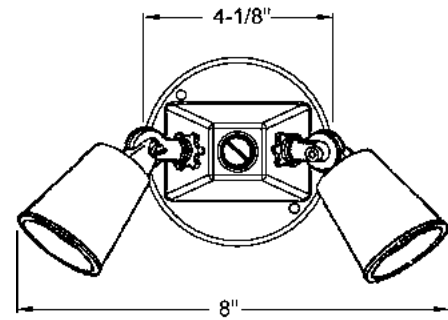
5620 SERIES

5621 SERIES

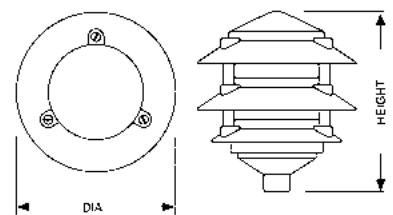
5624 SERIES



5625 SERIES

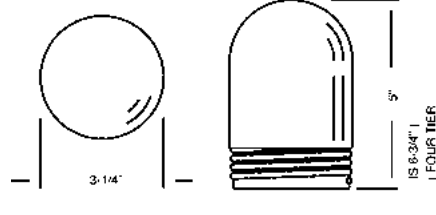


5884-8, 5893-8



CATALOG #	DIA.	HEIGHT
5884-8	6"	7"
5893-8	6"	8-3/4"

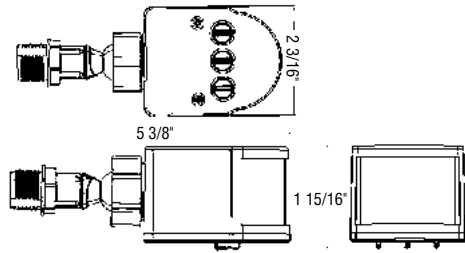
REPLACEMENT GLOBE: 5694-0, 5695-0



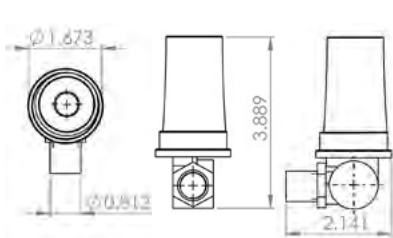
CATALOG #	DIA.	HEIGHT
5694-0	3-1/4"	5"
5695-0	3-1/4"	6-3/4"

ACCESSORIES

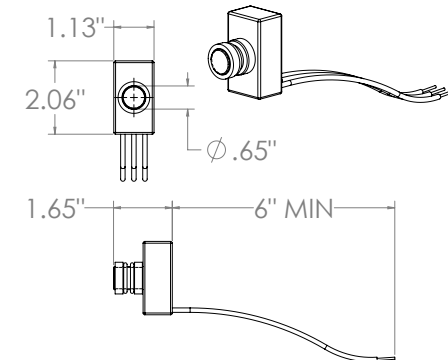
MOTION SENSOR SWITCH
5639 SERIES



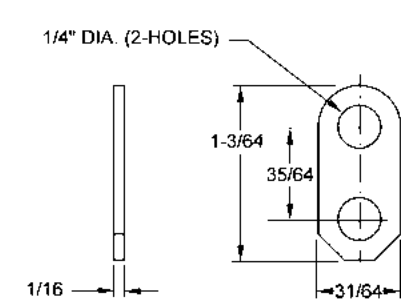
PHOTOSCELL
5638



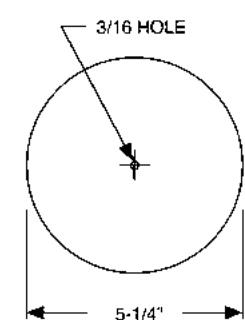
PE100



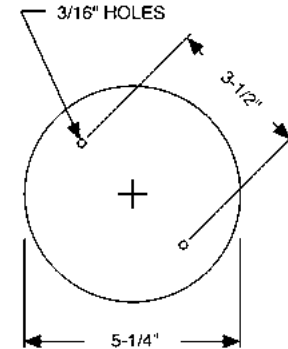
BOX MOUNTING LUG
CATALOG NO. 5302-0



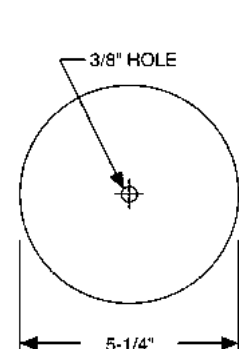
ROUND CLOSURE PLATES
CATALOG NO. 5652-1



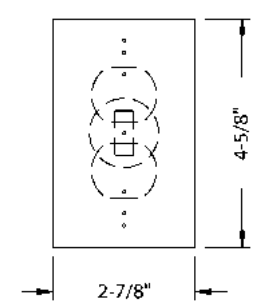
CATALOG NO. 5653-1



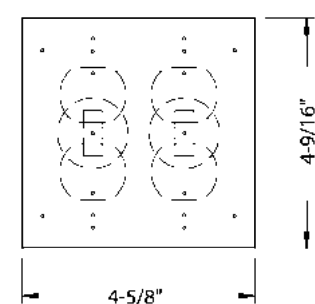
CATALOG NO. 5654-1



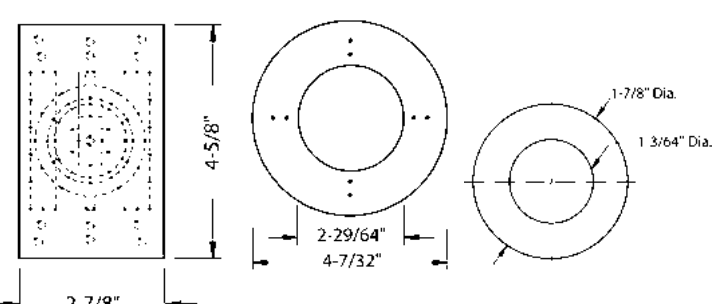
GASKET:
CATALOG NO. 5019-0



GASKET:
CATALOG NO. 5020-0

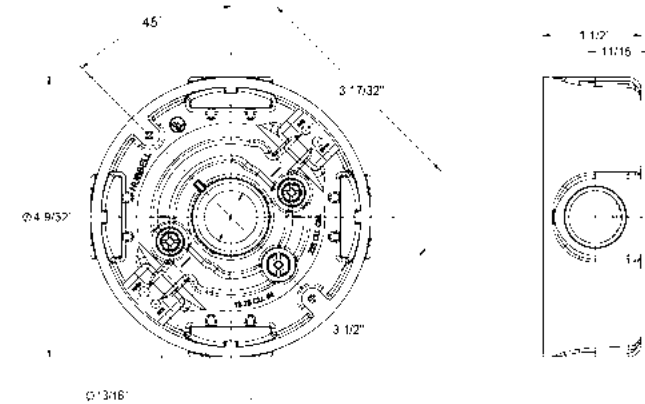


GASKETS:
CATALOG NO. 5017-0

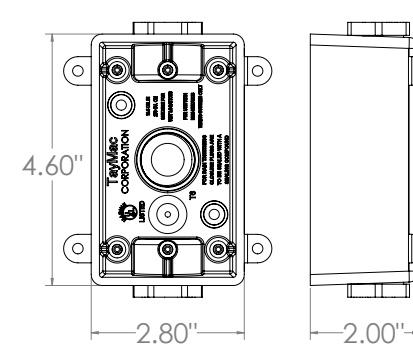


NONMETALLIC BOXES

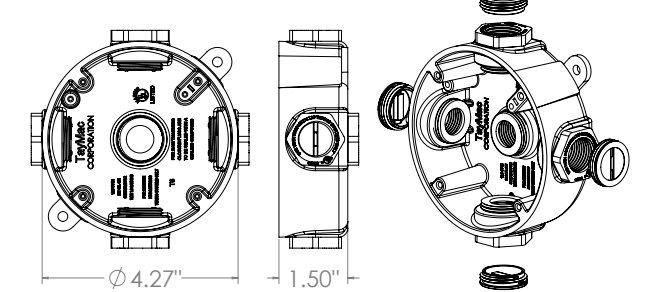
PRCF57550



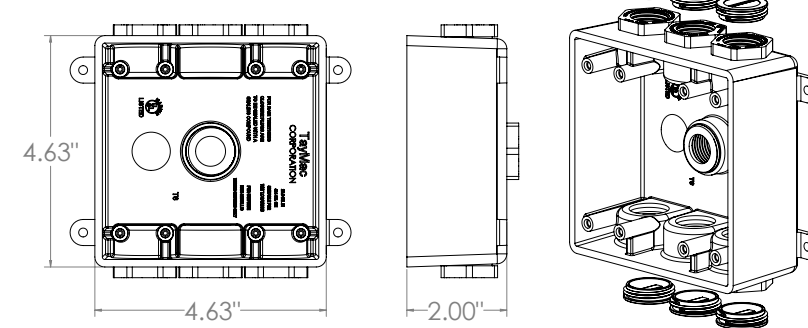
PSB37550



PRB57550

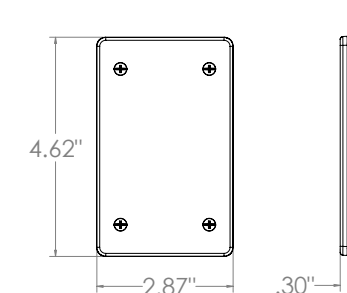


PDB77550G

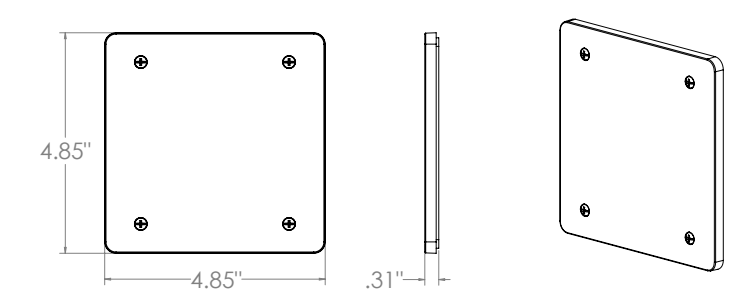


NONMETALLIC COVERS

PBC100

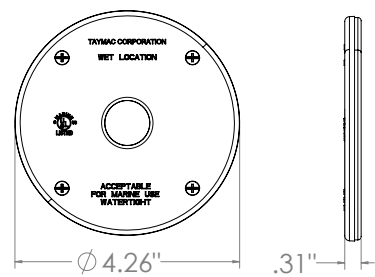


PBC200

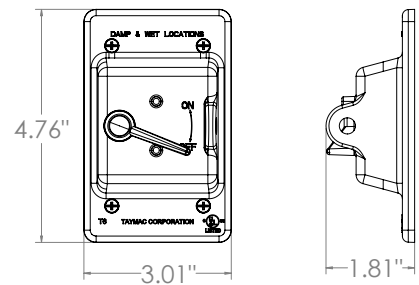


NONMETALLIC COVERS

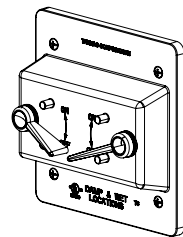
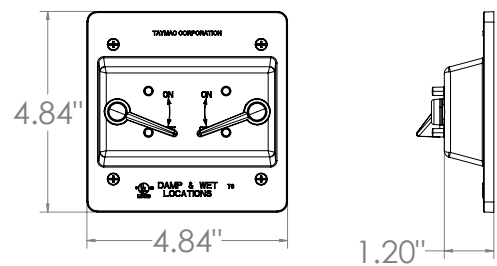
PBC300



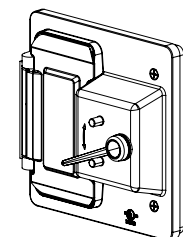
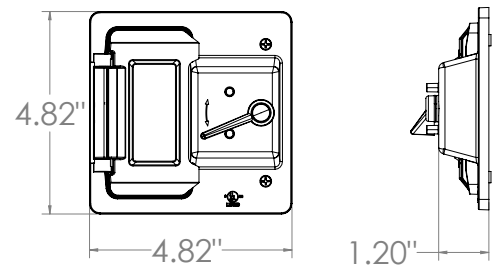
PTC100



PTC200

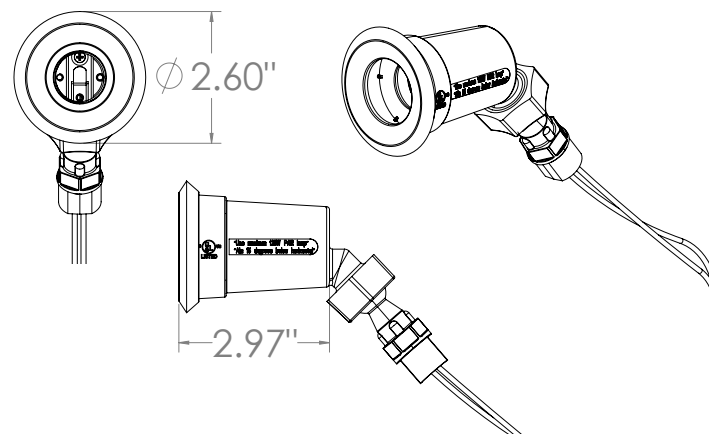


PTC521

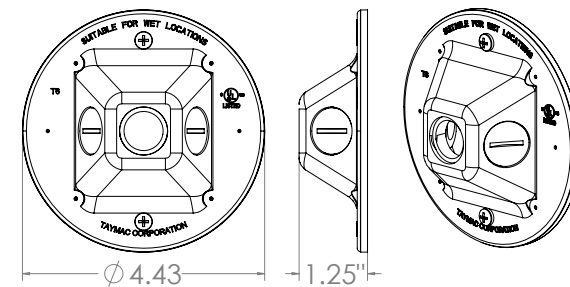


NONMETALLIC LIGHTING

PLTS100

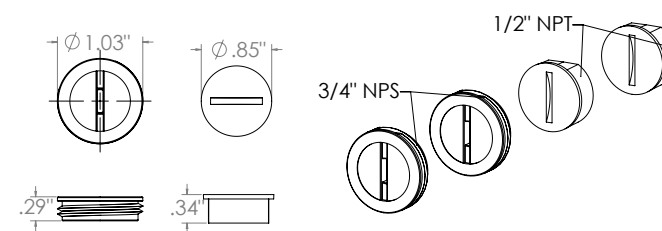


PLV330



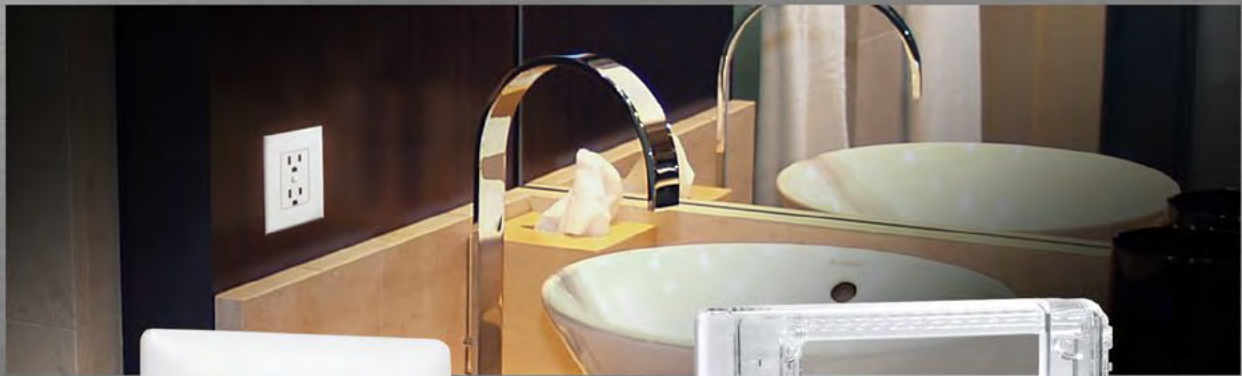
NONMETALLIC ACCESSORIES

PCP47550





Wallplates and HVAC



METAL WALLPLATE REFERENCE

STANDARD METAL WALLPLATES – WHITE SMOOTH



APPLICATIONS

- For use in home, commercial and industrial settings for enhanced durability and appearance

PRODUCT FEATURES

- Metal wallplates have a beauty, weight and feel that plastic can't replicate
- Easily primed and painted to match or complement walls
- Solid sound compared to thin, hollow resonance of economy plastic plates
- Durable – won't crack, peel or discolor over time
- Won't bow, crack or distort during installation
- Premium North American Powder Coat
- Includes screws in matching finish

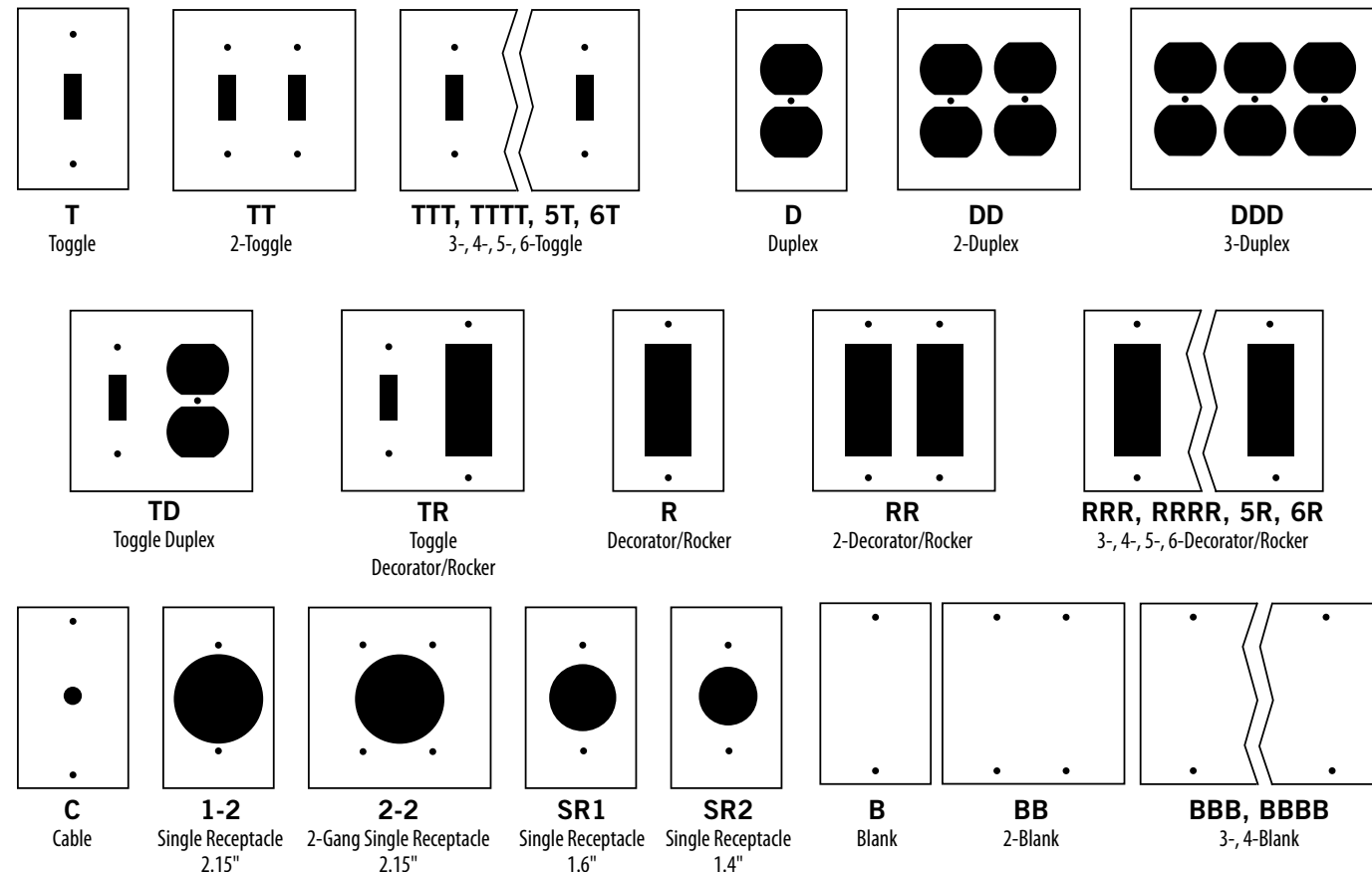
COMPLIANCES

- LISTED

TEXTURES



CONFIGURATIONS



CATALOG #	DESCRIPTION	COLOR	PKG. TYPE	STD. PKG.	BARCODE
Standard Metal Wallplate: White Smooth					
WW-T	Toggle	White Smooth	Polybag	25	
WW-TT	2-Toggle	White Smooth	Polybag	10	
WW-TTT	3-Toggle	White Smooth	Polybag	10	
WW-TTTT	4-Toggle	White Smooth	Polybag	10	
WW-R	Decorator/Rocker	White Smooth	Polybag	25	
WW-RR	2-Decorator/Rocker	White Smooth	Polybag	10	
WW-RRR	3-Decorator/Rocker	White Smooth	Polybag	10	
WW-RRRR	4-Decorator/Rocker	White Smooth	Polybag	10	
WW-D	Duplex	White Smooth	Polybag	25	
WW-DD	2-Duplex	White Smooth	Polybag	10	
WW-DDD	3-Duplex	White Smooth	Polybag	10	
WW-B	Blank	White Smooth	Polybag	25	
WW-BB	2-Blank	White Smooth	Polybag	10	
WW-BBB	3-Blank	White Smooth	Polybag	10	
WW-BBBB	4-Blank	White Smooth	Polybag	10	
WW-SR1	Single Receptacle 1.6"	White Smooth	Polybag	25	
WW1-2	Single Receptacle 2.15"	White Smooth	Polybag	25	
WW2-2	2-Gang Receptacle 2.15"	White Smooth	Polybag	10	
WW-TR	Toggle Decorator/Rocker	White Smooth	Polybag	10	
WW-DR	Duplex Decorator/Rocker	White Smooth	Polybag	10	
WW-TD	Toggle Duplex	White Smooth	Polybag	10	

SEE END OF SECTION (PG E22) FOR DETAILED DRAWINGS >>



STANDARD METAL WALLPLATES – WHITE TEXTURED

STANDARD METAL WALLPLATES – IVORY SMOOTH



WTW-T WTW-TT WTW-TTT WTW-R WTW-RR WTW-RRR



WTW-D WTW-DD WTW-B WTW-BB WTW-TR WTW-TD

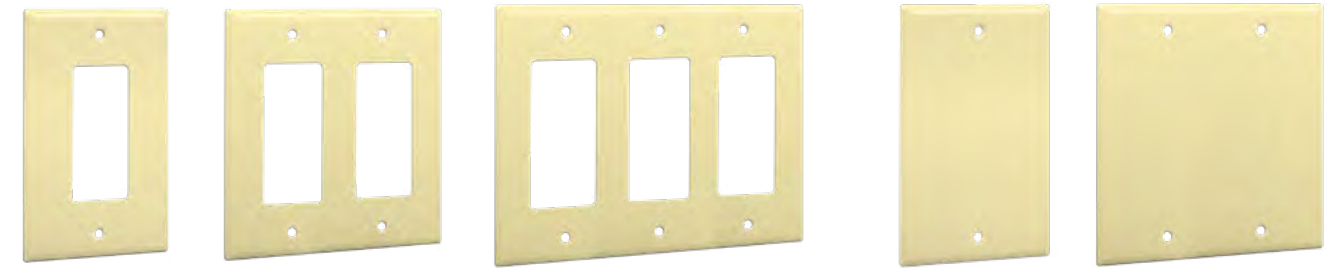


LPB3400 LPB3325

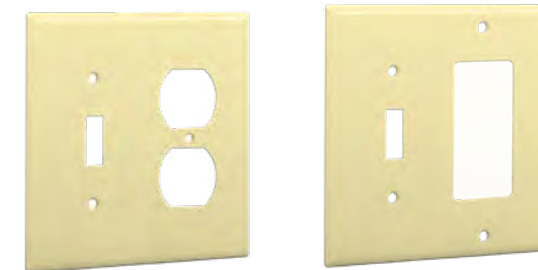
CATALOG #	DESCRIPTION	COLOR	PKG. TYPE	STD. PKG.	BARCODE
Standard Metal Wallplate: White Textured					
WTW-T	Toggle	White Textured	Polybag	25	
WTW-TT	2-Toggle	White Textured	Polybag	10	
WTW-TTT	3-Toggle	White Textured	Polybag	10	
WTW-R	Decorator/Rocker	White Textured	Polybag	25	
WTW-RR	2-Decorator/Rocker	White Textured	Polybag	10	
WTW-RRR	3-Decorator/Rocker	White Textured	Polybag	10	
WTW-D	Duplex	White Textured	Polybag	25	
WTW-DD	2-Duplex	White Textured	Polybag	10	
WTW-B	Blank	White Textured	Polybag	25	
WTW-BB	2-Blank	White Textured	Polybag	10	
WTW-TR	Toggle Decorator/Rocker	White Textured	Polybag	10	
WTW-TD	Toggle Duplex	White Textured	Polybag	10	
LPB3325	5" Round (Fits 3.25" Box)	White Textured	Polybag	20	
LPB3400	5" Round (Fits 4" Box)	White Textured	Polybag	20	



WI-T WI-TT WI-TTT WI-D WI-DD



WI-R WI-RR WI-RRR WI-B WI-BB



WI-TD WI-TR

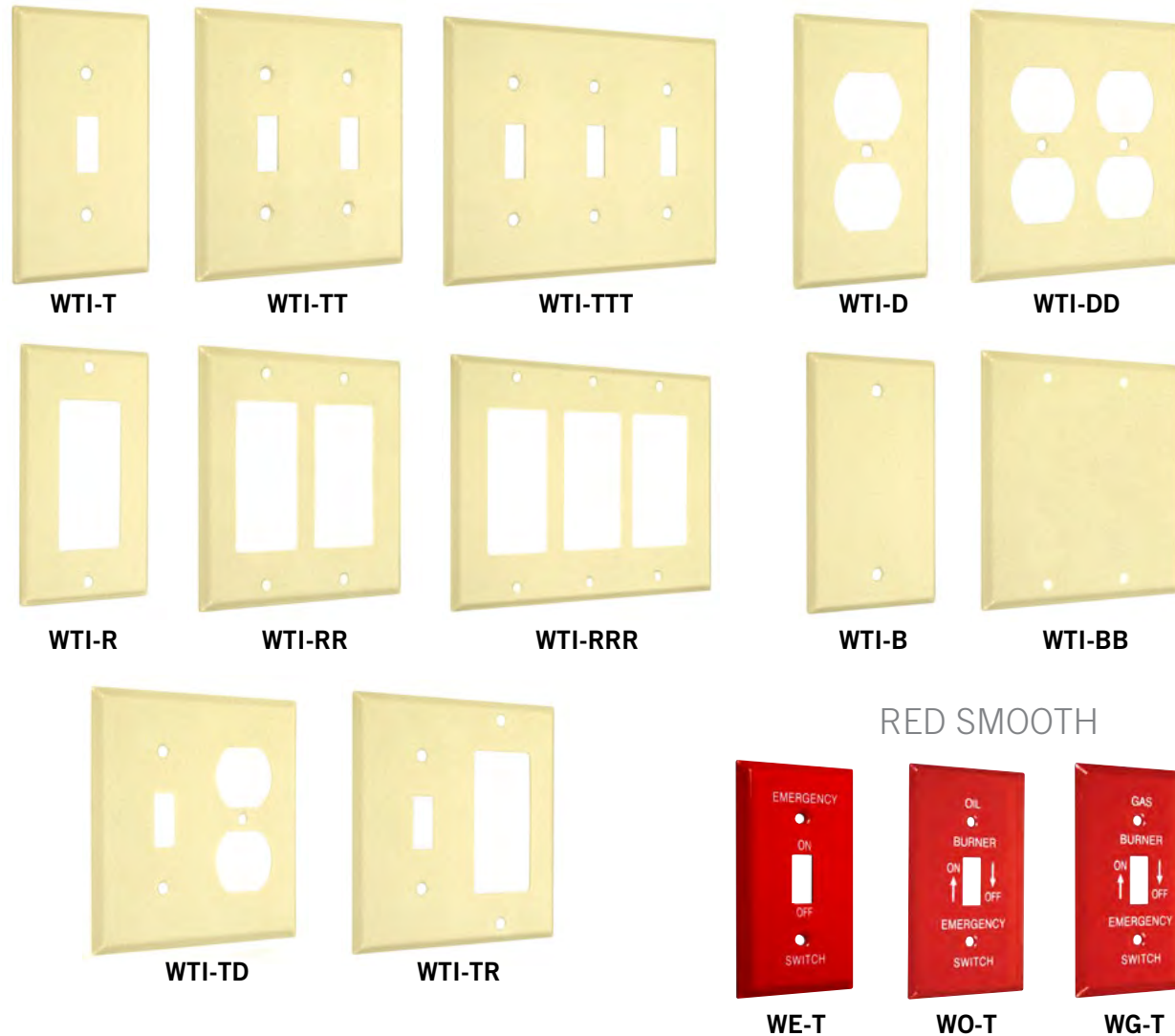
CATALOG #	DESCRIPTION	COLOR	PKG. TYPE	STD. PKG.	BARCODE
Metal Wallplate: Ivory Smooth					
WI-T	Toggle	Ivory Smooth	Polybag	25	
WI-TT	2-Toggle	Ivory Smooth	Polybag	10	
WI-TTT	3-Toggle	Ivory Smooth	Polybag	10	
WI-R	Decorator/Rocker	Ivory Smooth	Polybag	25	
WI-RR	2-Decorator/Rocker	Ivory Smooth	Polybag	10	
WI-RRR	3-Decorator/Rocker	Ivory Smooth	Polybag	10	
WI-D	Duplex	Ivory Smooth	Polybag	25	
WI-DD	2-Duplex	Ivory Smooth	Polybag	10	
WI-B	Blank	Ivory Smooth	Polybag	25	
WI-BB	2-Blank	Ivory Smooth	Polybag	10	
WI-TD	Toggle Duplex	Ivory Smooth	Polybag	10	
WI-TR	Toggle Decorator/Rocker	Ivory Smooth	Polybag	10	

STANDARD METAL WALLPLATES – IVORY TEXTURED / RED SMOOTH

STANDARD METAL WALLPLATES – STAINLESS STEEL



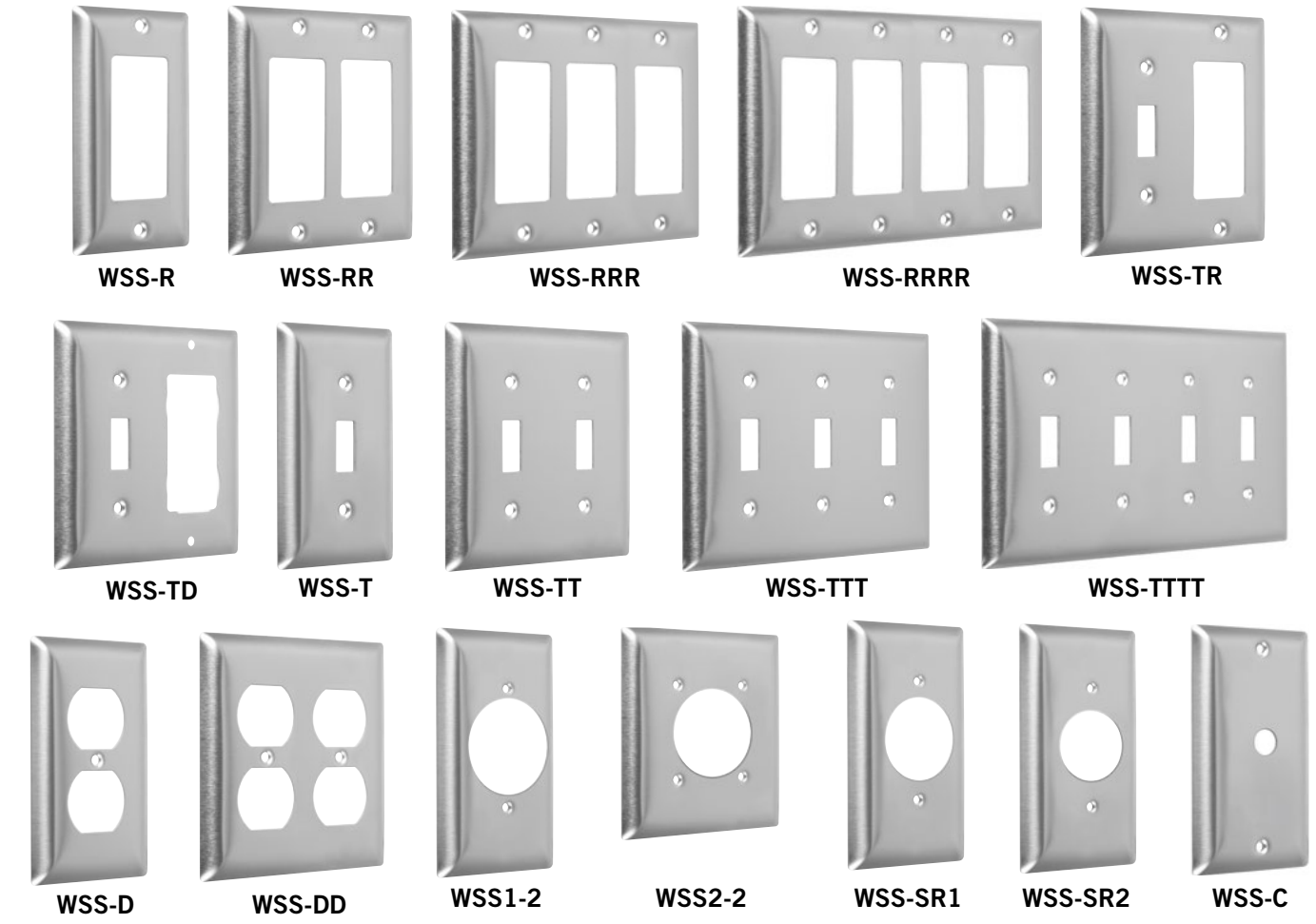
IVORY TEXTURED



RED SMOOTH



CATALOG #	DESCRIPTION	COLOR	PKG. TYPE	STD. PKG.	BARCODE
Metal Wallplate: Ivory Textured					
WTI-T	Toggle	Ivory Textured	Polybag	25	
WTI-TT	2-Toggle	Ivory Textured	Polybag	10	
WTI-TTT	3-Toggle	Ivory Textured	Polybag	10	
WTI-R	Decorator/Rocker	Ivory Textured	Polybag	25	
WTI-RR	2-Decorator/Rocker	Ivory Textured	Polybag	10	
WTI-RRR	3-Decorator/Rocker	Ivory Textured	Polybag	10	
WTI-D	Duplex	Ivory Textured	Polybag	25	
WTI-DD	2-Duplex	Ivory Textured	Polybag	10	
WTI-B	Blank	Ivory Textured	Polybag	25	
WTI-BB	2-Blank	Ivory Textured	Polybag	10	
WTI-TR	Toggle Decorator/Rocker	Ivory Textured	Polybag	10	
WTI-TD	Toggle Duplex	Ivory Textured	Polybag	10	
Standard Metal Wallplate: Red Smooth					
WE-T	Emergency Toggle	Red	Polybag	25	
WO-T	Oil Toggle	Red	Polybag	25	
WG-T	Gas Toggle	Red	Polybag	25	



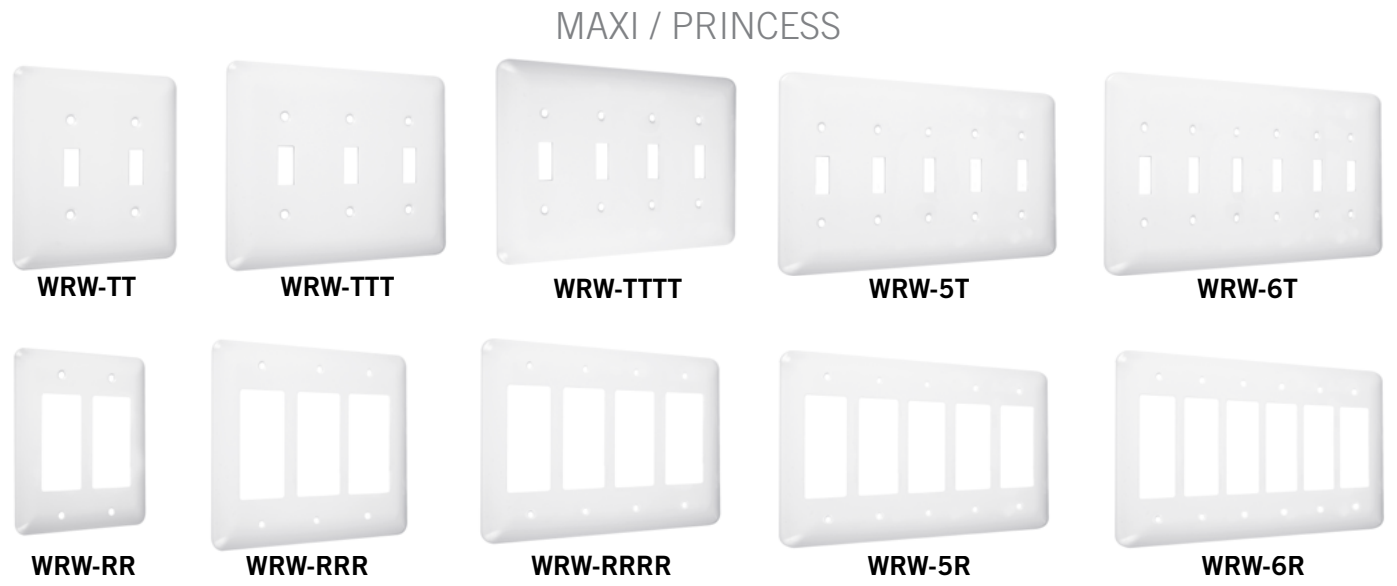
CATALOG #	DESCRIPTION	COLOR	PKG. TYPE	STD. PKG.	BARCODE
Stainless Steel* Wallplate					
WSS-T	Toggle	Stainless Steel	Polybag	10	
WSS-TT	2-Toggle	Stainless Steel	Polybag	10	
WSS-TTT	3-Toggle	Stainless Steel	Polybag	10	
WSS-TTTT	4-Toggle	Stainless Steel	Polybag	10	
WSS-R	Decorator/Rocker	Stainless Steel	Polybag	10	
WSS-RR	2-Decorator/Rocker	Stainless Steel	Polybag	10	
WSS-RRR	3-Decorator/Rocker	Stainless Steel	Polybag	10	
WSS-RRRR	4-Decorator/Rocker	Stainless Steel	Polybag	10	
WSS-D	Duplex	Stainless Steel	Polybag	10	
WSS-DD	2-Duplex	Stainless Steel	Polybag	10	
WSS1-2	Receptacle 2.15" Hole	Stainless Steel	Polybag	10	
WSS2-2	2-Gang Receptacle 2.15" Hole	Stainless Steel	Polybag	10	
WSS-SR1	Receptacle 1.6" Hole	Stainless Steel	Polybag	10	
WSS-SR2	Receptacle 1.4" Hole	Stainless Steel	Polybag	10	
WSS-C	Communication	Stainless Steel	Polybag	10	
WSS-B	Blank	Stainless Steel	Polybag	10	
WSS-BB	2-Blank	Stainless Steel	Polybag	10	
WSS-TD	Toggle Duplex	Stainless Steel	Polybag	10	
WSS-TR	Toggle Decorator/Rocker	Stainless Steel	Polybag	10	

* 430 Stainless Steel



MAXI/PRINCESS METAL WALLPLATES – WHITE SMOOTH

MAXI/PRINCESS METAL WALLPLATES – WHITE SMOOTH

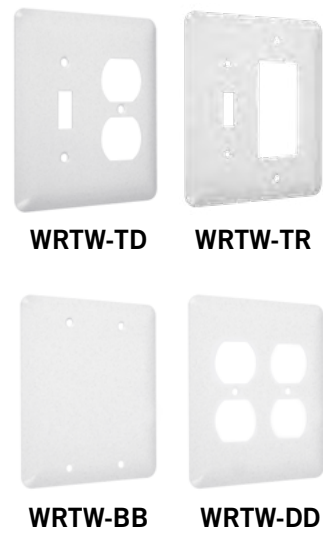
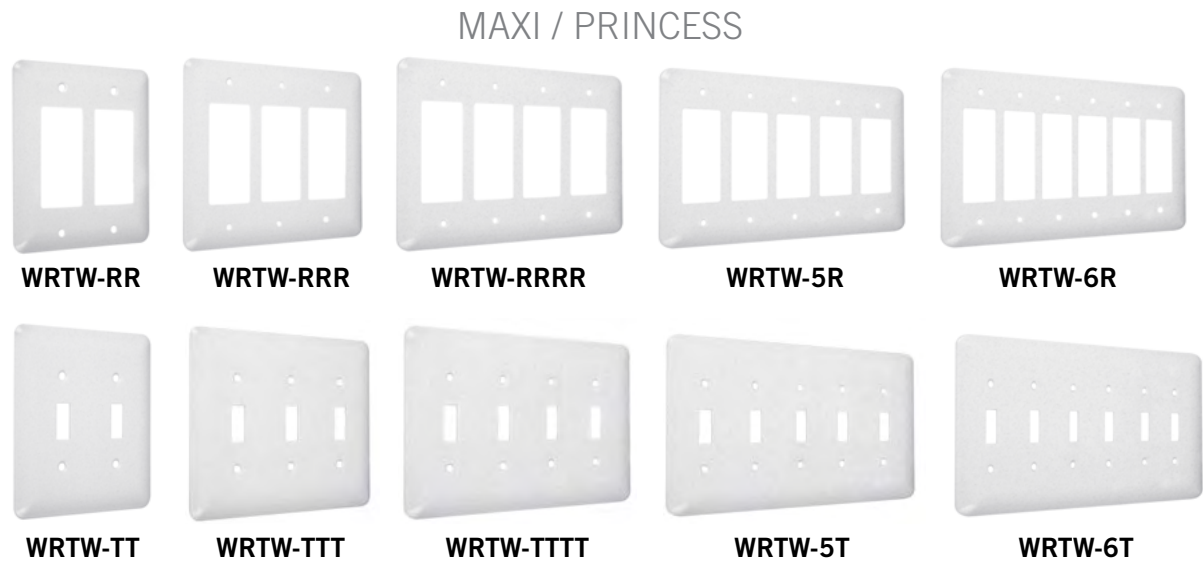
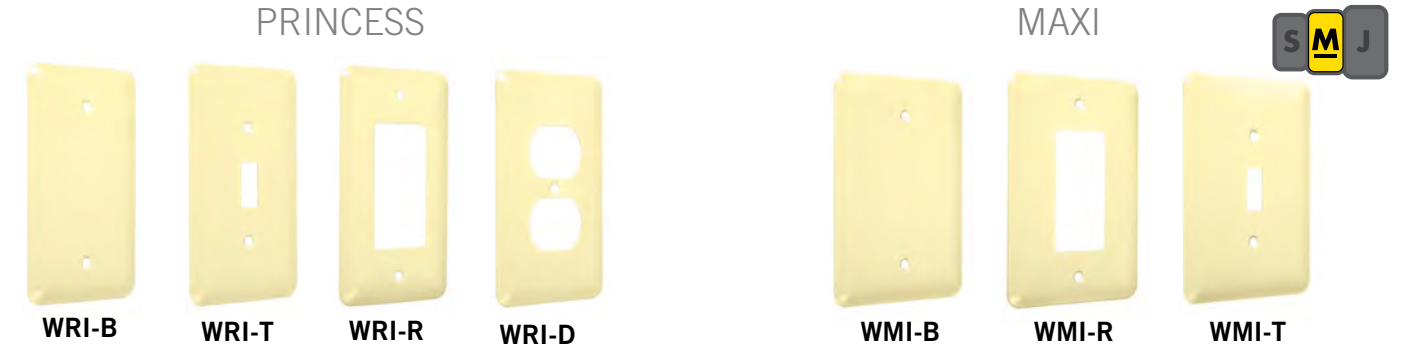
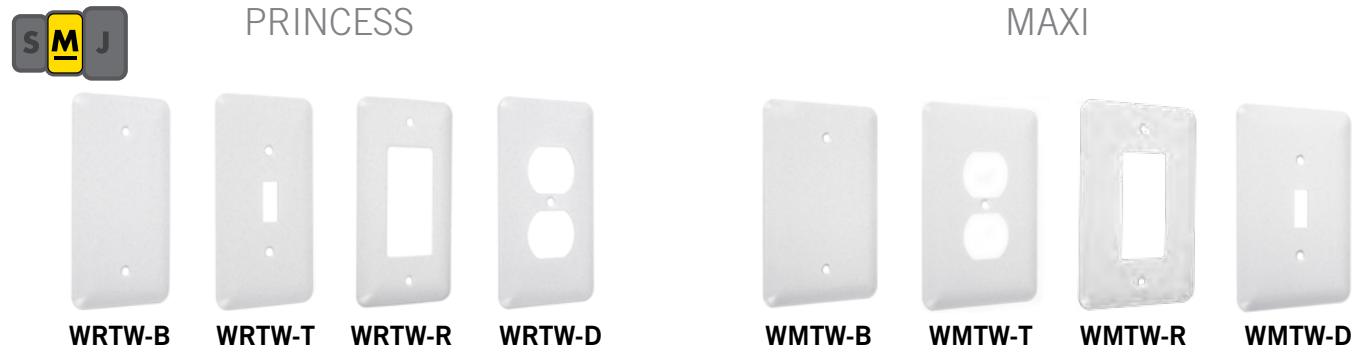


CATALOG #	DESCRIPTION	COLOR	PKG. TYPE	STD. PKG.	BARCODE
Princess Metal Wallplate: White Smooth					
WRW-T	Toggle	White Smooth	Polybag	25	
WRW-R	Decorator/Rocker	White Smooth	Polybag	25	
WRW-D	Duplex	White Smooth	Polybag	25	
WRW-B	Blank	White Smooth	Polybag	25	
WRW-SR2	Receptacle 1.40" Hole	White Smooth	Polybag	25	
Maxi Metal Wallplate: White Smooth					
WMW-T	Toggle	White Smooth	Polybag	25	
WMW-R	Decorator/Rocker	White Smooth	Polybag	25	
WMW-D	Duplex	White Smooth	Polybag	25	
WMW-B	Blank	White Smooth	Polybag	25	
WMW-SR2	Receptacle 1.40" Hole	White Smooth	Polybag	25	
Maxi/Princess Metal Wallplate: White Smooth					
WRW-TT	2-Toggle	White Smooth	Polybag	10	
WRW-TTT	3-Toggle	White Smooth	Polybag	10	
WRW-TTTT	4-Toggle	White Smooth	Polybag	10	
WRW-5T	5-Toggle	White Smooth	Polybag	10	
WRW-6T	6-Toggle	White Smooth	Polybag	10	
WRW-RR	2-Decorator/Rocker	White Smooth	Polybag	10	
WRW-RRR	3-Decorator/Rocker	White Smooth	Polybag	10	
WRW-RRRR	4-Decorator/Rocker	White Smooth	Polybag	10	
WRW-5R	5-Decorator/Rocker	White Smooth	Polybag	10	
WRW-6R	6-Decorator/Rocker	White Smooth	Polybag	10	

CATALOG #	DESCRIPTION	COLOR	PKG. TYPE	STD. PKG.	BARCODE
Maxi/Princess Metal Wallplate: White Smooth					
WRW-DD	2-Duplex	White Smooth	Polybag	10	
WRW-DDD	3-Duplex	White Smooth	Polybag	10	
WRW-BB	2-Blank	White Smooth	Polybag	10	
WRW-BBB	3-Blank	White Smooth	Polybag	10	
WRW-BBBB	4-Blank	White Smooth	Polybag	10	
WRW2-2	2-Gang Single Outlet 2.15"	White Smooth	Polybag	10	
WRW-DB	2-Gang Duplex Blank	White Smooth	Polybag	10	
WRW-DR	Duplex Decorator/Rocker	White Smooth	Polybag	10	
WRW-TD	Toggle Duplex	White Smooth	Polybag	10	
WRW-TR	Toggle Decorator/Rocker	White Smooth	Polybag	10	
WRW-TB	Toggle Blank	White Smooth	Polybag	10	
WRW-TTD	2-Toggle Duplex	White Smooth	Polybag	10	
WRW-TTTD	3-Toggle Duplex	White Smooth	Polybag	10	
WRW-TTR	2-Toggle Decorator/Rocker	White Smooth	Polybag	10	

MAXI/PRINCESS METAL WALLPLATES – WHITE TEXTURED

MAXI/PRINCESS METAL WALLPLATES – IVORY SMOOTH

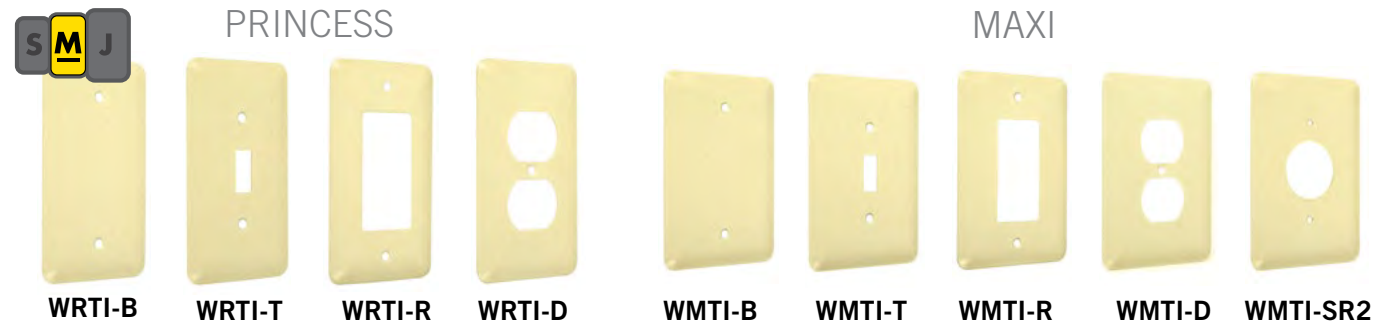


CATALOG #	DESCRIPTION	COLOR	PKG. TYPE	STD. PKG.	BARCODE
Princess Metal Wallplate: White Textured					
WRTW-T	Toggle	White Textured	Polybag	25	
WRTW-R	Decorator/Rocker	White Textured	Polybag	25	
WRTW-D	Duplex	White Textured	Polybag	25	
WRTW-B	Blank	White Textured	Polybag	25	
Maxi Metal Wallplate: White Textured					
WMTW-T	Toggle	White Textured	Polybag	25	
WMTW-R	Decorator/Rocker	White Textured	Polybag	25	
WMTW-D	Duplex	White Textured	Polybag	25	
WMTW-B	Blank	White Textured	Polybag	25	
Maxi/Princess Metal Wallplate: White Textured					
WRTW-TT	2-Toggle	White Textured	Polybag	20	
WRTW-TTT	3-Toggle	White Textured	Polybag	10	
WRTW-TTTT	4-Toggle	White Textured	Polybag	10	
WRTW-5T	5-Toggle	White Textured	Polybag	10	
WRTW-6T	6-Toggle	White Textured	Polybag	25	
WRTW-RR	2-Decorator/Rocker	White Textured	Polybag	20	
WRTW-RRR	3-Decorator/Rocker	White Textured	Polybag	10	
WRTW-RRRR	4-Decorator/Rocker	White Textured	Polybag	10	
WRTW-5R	5-Decorator/Rocker	White Textured	Polybag	10	
WRTW-6R	6-Decorator/Rocker	White Textured	Polybag	10	
WRTW-DD	2-Duplex	White Textured	Polybag	20	
WRTW-BB	2-Blank	White Textured	Polybag	10	
WRTW-TD	Toggle Duplex	White Textured	Polybag	20	
WRTW-TR	Toggle Decorator/Rocker	White Textured	Polybag	20	

CATALOG #	DESCRIPTION	COLOR	PKG. TYPE	STD. PKG.	BARCODE
Princess Metal Wallplate: Ivory Smooth					
WRI-T	Toggle	Ivory Smooth	Polybag	25	
WRI-B	Blank	Ivory Smooth	Polybag	25	
WRI-R	Decorator/Rocker	Ivory Smooth	Polybag	25	
WRI-D	Duplex	Ivory Smooth	Polybag	25	
Maxi Metal Wallplate: Ivory Smooth					
WMI-T	Toggle	Ivory Smooth	Polybag	25	
WMI-R	Decorator/Rocker	Ivory Smooth	Polybag	25	
WMI-B	Blank	Ivory Smooth	Polybag	25	
Maxi/Princess Metal Wallplate: Ivory Smooth					
WRI-TT	2-Toggle	Ivory Smooth	Polybag	10	
WRI-TTT	3-Toggle	Ivory Smooth	Polybag	10	
WRI-RR	2-Decorator/Rocker	Ivory Smooth	Polybag	10	
WRI-RRR	3-Decorator/Rocker	Ivory Smooth	Polybag	10	
WRI-DD	2-Duplex	Ivory Smooth	Polybag	10	
WRI-BB	2-Blank	Ivory Smooth	Polybag	10	
WRI2-2	2-Gang Single Outlet 2.15"	Ivory Smooth	Polybag	10	
WRI-TD	Toggle Duplex	Ivory Smooth	Polybag	10	
WRI-TR	Toggle Decorator/Rocker	Ivory Smooth	Polybag	10	

MAXI/PRINCESS METAL WALLPLATES – IVORY TEXTURED

JUMBO METAL WALLPLATES



JUMBO BRUSHED NICKEL

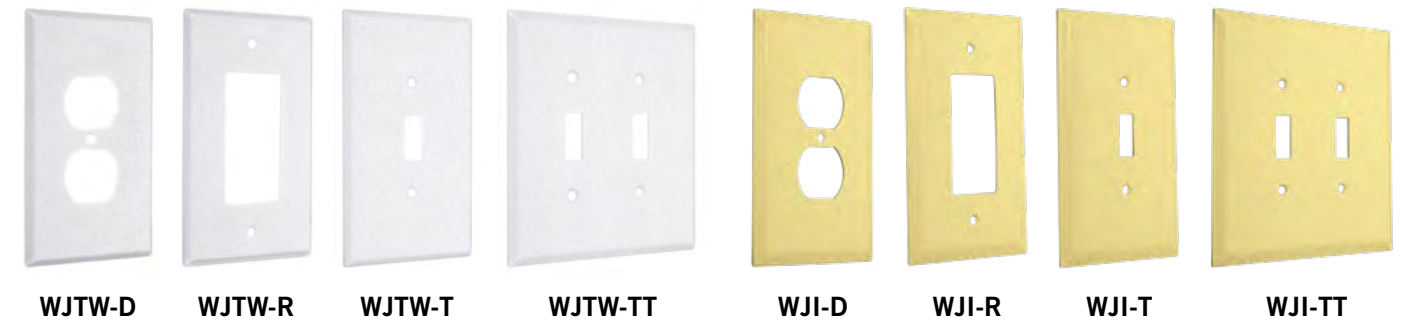
WHITE SMOOTH



MAXI / PRINCESS

WHITE TEXTURED

IVORY SMOOTH



CATALOG #	DESCRIPTION	COLOR	PKG. TYPE	STD. PKG.	BARCODE
Princess Metal Wallplate: Ivory Textured					
WRTI-T	Toggle	Ivory Textured	Polybag	25	
WRTI-B	Blank	Ivory Textured	Polybag	25	
WRTI-R	Decorator/Rocker	Ivory Textured	Polybag	25	
WRTI-D	Duplex	Ivory Textured	Polybag	25	
Maxi Metal Wallplate: Ivory Textured					
WMTI-T	Toggle	Ivory Textured	Polybag	25	
WMTI-R	Decorator/Rocker	Ivory Textured	Polybag	25	
WMTI-D	Duplex	Ivory Textured	Polybag	25	
WMTI-B	Blank	Ivory Textured	Polybag	25	
WMTI-SR2	Receptacle 1.40" Hole	Ivory Textured	Polybag	25	
Maxi Metal Wallplate: Ivory Textured					
WRTI-TT	2-Toggle	Ivory Textured	Polybag	10	
WRTI-TTT	3-Toggle	Ivory Textured	Polybag	10	
WRTI-TTTT	4-Toggle	Ivory Textured	Polybag	10	
WRTI-5T	5-Toggle	Ivory Textured	Polybag	10	
WRTI-RR	2-Decorator/Rocker	Ivory Textured	Polybag	10	
WRTI-RRR	3-Decorator/Rocker	Ivory Textured	Polybag	10	
WRTI-RRRR	4-Decorator/Rocker	Ivory Textured	Polybag	10	
WRTI-DD	2-Duplex	Ivory Textured	Polybag	10	
WRTI-BB	2-Blank	Ivory Textured	Polybag	10	
WRTI-BBB	3-Blank	Ivory Textured	Polybag	10	
WRTI2-2	2-Gang Single Outlet 2.15"	Ivory Textured	Polybag	10	
WRTI-TD	Toggle Duplex	Ivory Textured	Polybag	10	
WRTI-TR	Toggle Decorator/Rocker	Ivory Textured	Polybag	10	
WRTI-DR	Duplex Decorator/Rocker	Ivory Textured	Polybag	10	

CATALOG #	DESCRIPTION	COLOR	PKG. TYPE	STD. PKG.	BARCODE
Jumbo Metal Wallplate: Brushed Nickel					
WJBN-DX	Duplex	Brushed Nickel	Polybag	10	
WJBN-RX	Decorator/Rocker	Brushed Nickel	Polybag	10	
WJBN-TX	Toggle	Brushed Nickel	Polybag	10	
WJBN-TTX	2-Toggle	Brushed Nickel	Polybag	10	
Jumbo Metal Wallplate: White Smooth					
WJW-T	Toggle	White Smooth	Polybag	20	
WJW-TT	2-Toggle	White Smooth	Polybag	10	
WJW-R	Decorator/Rocker	White Smooth	Polybag	20	
WJW-D	Duplex	White Smooth	Polybag	20	
Jumbo Metal Wallplate: White Textured					
WJTW-T	Toggle	Textured White	Polybag	20	
WJTW-TT	2-Toggle	Textured White	Polybag	10	
WJTW-R	Decorator/Rocker	Textured White	Polybag	20	
WJTW-D	Duplex	Textured White	Polybag	20	
Jumbo Metal Wallplate: Ivory Smooth					
WJI-T	Toggle	Ivory Smooth	Polybag	20	
WJI-TT	2-Toggle	Ivory Smooth	Polybag	10	
WJI-R	Decorator/Rocker	Ivory Smooth	Polybag	20	
WJI-D	Duplex	Ivory Smooth	Polybag	20	
Jumbo Metal Wallplate: Ivory Textured					
WJTI-T	Toggle	Textured Ivory	Polybag	20	
WJTI-TT	2-Toggle	Textured Ivory	Polybag	10	
WJTI-D	Duplex	Textured Ivory	Polybag	20	





APPLICATIONS

- Designed for home and commercial use providing enhanced aesthetics and durability

PRODUCT FEATURES

- Achieve fantastic colors. Masque wall plates are easily painted or wallpapered to match or compliment walls
- Unbreakable premium PVC wallplates
- Hide outdated, discolored outlets
- Won't crack or distort during installation
- Includes screws in matching finish

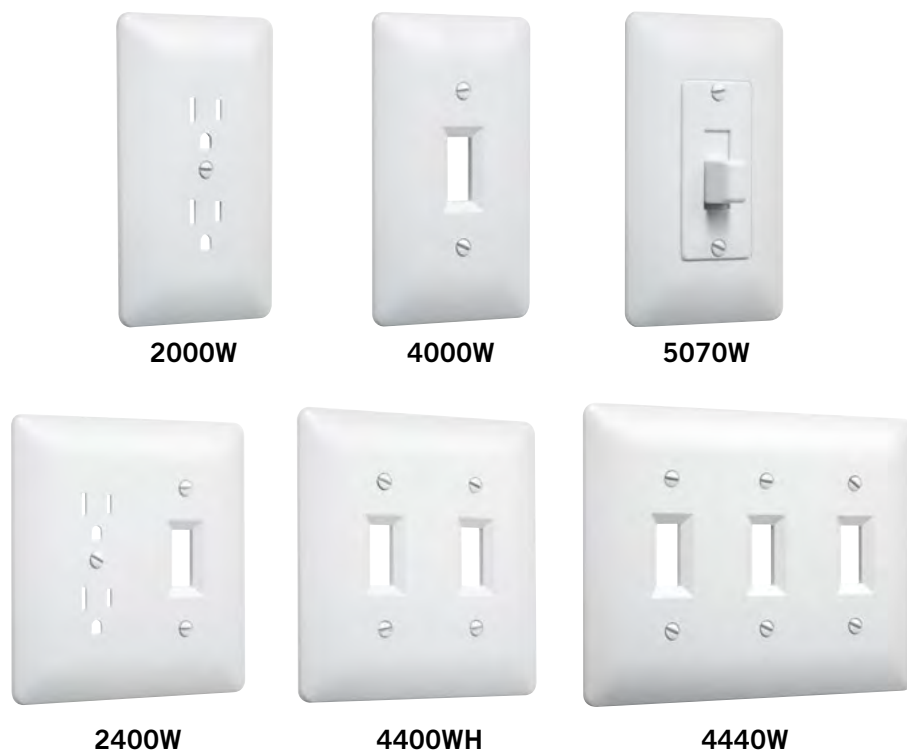
COMPLIANCES

- LISTED*

MASQUE® 2000 SERIES



Paint or Cover with Wallpaper!



CATALOG #	DESCRIPTION	COLOR	PKG. TYPE	STD. PKG.	BARCODE
Masque® 2000 Series					
2000W	Grounded Duplex	White Textured	Polybag	50	
4000W	Toggle	White Textured	Polybag	50	
5070W	Toggle Cover-Up	White Textured	Polybag	25	
2400W	Duplex Toggle	White Textured	Polybag	10	
4400WH	2-Toggle	White Textured	Polybag	10	
4440W	3-Toggle	White Textured	Polybag	10	

*Duplex and Toggle Covers (2000W, 5070W, 2400W) not UL listed



MASQUE® 5000 SERIES



APPLICATIONS

- Designed for home and commercial use for enhanced aesthetics and durability
- Modular universal design for adaptability on most all applications

PRODUCT FEATURES

- Achieve fantastic colors. Masque wall plates are easily painted or wallpapered to match or compliment walls
- Unbreakable premium PVC wallplates
- Hide outdated, discolored outlets
- Customize with adapters
- Won't crack or distort during installation
- Includes applicable screws in matching finish

COMPLIANCES

- LISTED*

MASQUE® ADAPTERS



CATALOG #	DESCRIPTION	COLOR	PKG. TYPE	STD. PKG.	BARCODE
Masque® 5000 Series					
5000W	Decorator Device	White Textured	Polybag	50	
5500W	2-Decorator/Rocker	White Textured	Polybag	10	
5550W	3-Decorator/Rocker	White Textured	Polybag	10	
5555W	4-Decorator/Rocker	White Textured	Polybag	10	
Masque® Adapter Plates					
AD50W	Rocker Switch Cover-Up	White Textured	Polybag	10	
AD60W	Decorator Outlet Cover-Up	White Textured	Polybag	10	
AD10W	Blank	White Textured	Polybag	10	
AD20W	Duplex	White Textured	Polybag	10	
AD40W	Toggle	White Textured	Polybag	10	
AD70W	Toggle Switch Cover-Up	White Textured	Polybag	25	
AD42W	Rotary Dimmer	White Textured	Polybag	10	
AD90W	Telephone Jack (jack included)	White Textured	Polybag	10	
AD93W	Cable TV	White Textured	Polybag	10	

*Duplex Adapters (AD20W, AD60W) not UL listed



PLASTIC WALLPLATES – DECORATOR COVER

PLASTIC WALLPLATES – MASQUE® RÉVIVE™



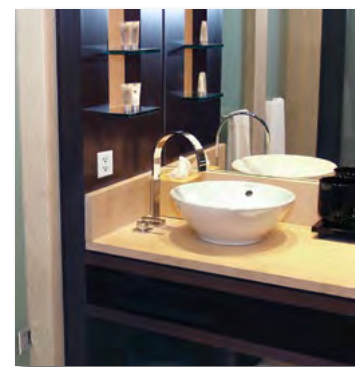
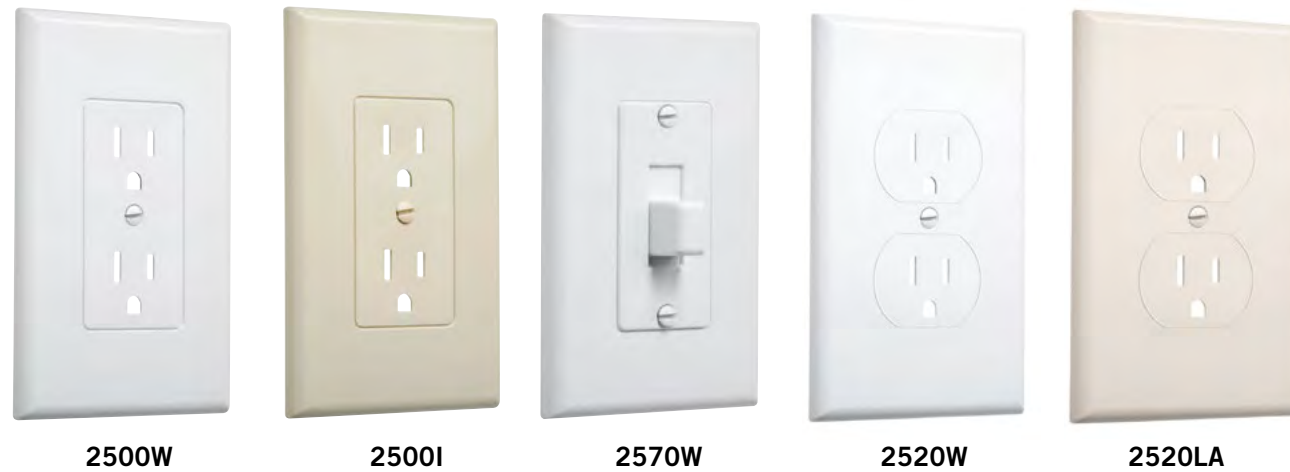
DECORATOR COVER SERIES

APPLICATIONS

- Decorator Covers improve the appearance of a room in seconds, creating a designer decorator look by covering old outlets instead of replacing them. There is no need to re-wire, saving time and money

PRODUCT FEATURES

- Completely covers old outdated outlets and switches
- Jumbo size easily hides excessive paint edge build up from years of paint over
- No rewiring
- Saves time and money
- Contemporary look - smooth finish
- PVC material resists wear and tear
- Won't crack or distort during installation
- Includes screw(s) in matching finish



CATALOG #	DESCRIPTION	COLOR	PKG. TYPE	STD. PKG.	BARCODE
Decorator Cover® Series Wallplates					
2500W	Grounded Duplex	White	Polybag	50	
2500I	Grounded Duplex	Ivory	Polybag	50	
2570W	Toggle Switch Cover-Up	White	Polybag	25	
2520W	Grounded Duplex	White	Polybag	50	
2520LA	Grounded Duplex	Light Almond	Polybag	50	



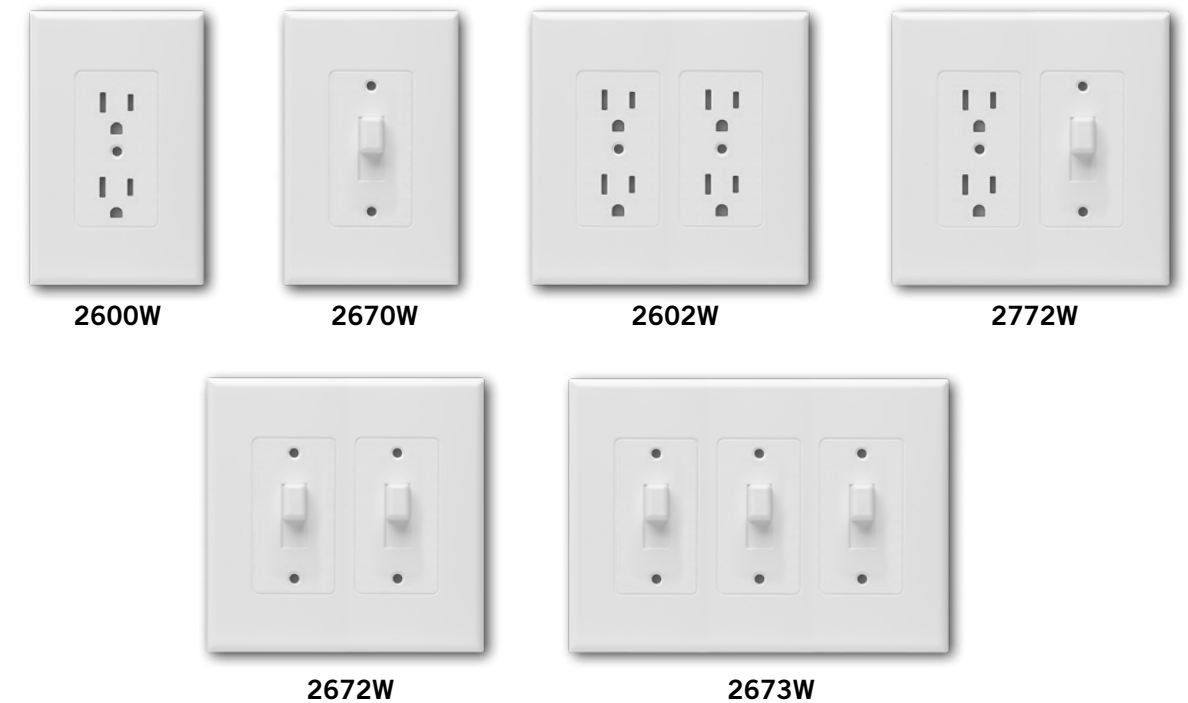
MASQUE® RÉVIVE

APPLICATIONS

- Masque® Révive easily creates an all new look without replacing old outlets or switches. No need to re-wire, saving time and money
- Don't replace... Révive!

PRODUCT FEATURES

- Completely covers old outdated outlets and switches
- No rewiring
- Saves time and money
- Contemporary look - smooth finish
- Impact resistant PVC resists wear and tear
- Won't crack or distort during installation
- Includes screw(s) in matching finish



CATALOG #	DESCRIPTION	COLOR	PKG. TYPE	STD. PKG.	BARCODE
Masque® Révive™ Wallplates					
2600W	Grounded Duplex	White	Polybag	10	
2670W	Toggle Switch Cover-Up	White	Polybag	10	
2602W	2-Grounded Duplex	White	Polybag	5	
2772W	Grounded Duplex/Toggle Switch	White	Polybag	5	
2672W	2-Toggle Switch Cover-Up	White	Polybag	8	
2673W	3-Toggle Switch Cover-Up	White	Polybag	5	



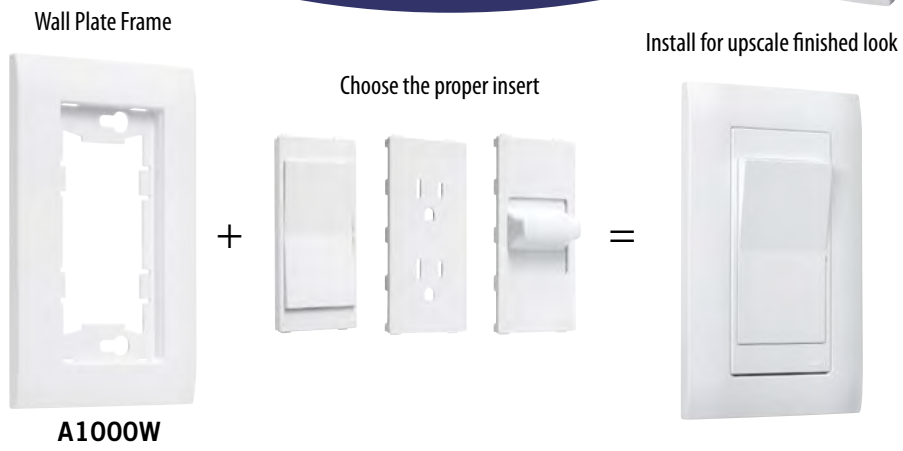
ALLURE® DESIGNER WALLPLATES

APPLICATIONS

- Allure® wallplates cover outdated, mismatched receptacles; transforming them to a clean-line, sleek, contemporary look with no visible screws

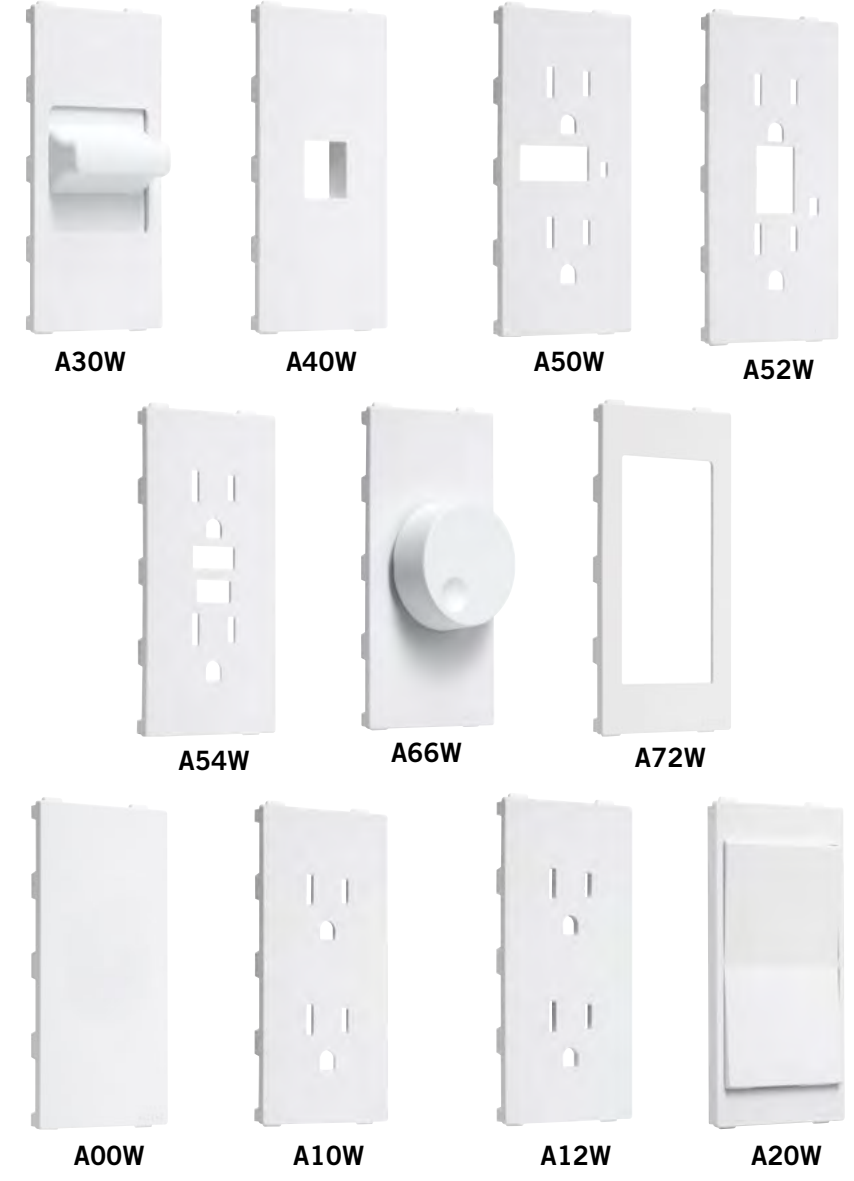
PRODUCT FEATURES

- Use one plate with different inserts to fit any combination of outlet and switch
- Upgrade the look of a home in seconds with the innovative style of Allure® designer wallplates
- Quick and easy to install in under a minute with no electrical work
- Saves time and money by covering existing devices instead of replacing
- Impact resistant ABS resists wear and tear



CATALOG #	DESCRIPTION	COLOR	PKG. TYPE	STD. PKG.	BARCODE
Allure® Wallplate Frames					
A1000W	1-Device	White	Card	6	
A2000W	2-Device	White	Card	3	
A3000W	3-Device	White	Card	3	
A4000W	4-Device	White	Card	3	

ALLURE® WALLPLATE INSERTS



APPLICATIONS

- Allure® wallplates cover outdated, mismatched receptacles; transforming them to a clean-line, sleek, contemporary look with no visible screws

PRODUCT FEATURES

- Use one plate with different inserts to fit any combination of outlet and switch
- Upgrade the look of a home in seconds with the innovative style of Allure® designer wallplates
- Quick and easy to install in under a minute with no electrical work
- Saves time and money by covering existing devices instead of replacing
- Impact resistant ABS resists wear and tear

CATALOG #	DESCRIPTION	COLOR	PKG. TYPE	STD. PKG.	BARCODE
Allure® Inserts					
A30W	Toggle Switch	White	Card	6	
A40W	Multi-Port	White	Card	3	
A50W	GFCI (Left Test)	White	Card	3	
A52W	GFCI (Open Test)	White	Card	3	
A54W	GFCI (Traditional Test)	White	Card	3	
A66W	Rotary Dimmer	White	Card	3	
A72W	Universal Insert	White	Card	3	
A00W	Blank	White	Card	3	
A10W	Decorator Outlet	White	Card	3	
A12W	Duplex Outlet	White	Card	6	
A20W	Rocker Switch	White	Card	3	



LOW PROFILE THERMOSTAT COVERS

AIR DEFLECTORS

APPLICATIONS

- Protects thermostat from tampering and unwanted changes to AC or heating settings

PRODUCT FEATURES

- Patented rotating removable hinge makes adjusting the thermostat more convenient by eliminating the need to completely remove the cover
- Lid can be removed for easy thermostat installation
- Patented hinge includes high strength locking features to ensure that the lid cannot be removed when closed
- Includes tumbler lock with two keys
- Heavy duty polycarbonate
- Includes mounting screws and anchors
- Mounts horizontally or vertically
- Low profile
- Can be mounted in any one of four directions



ZTC100

Compare to Honeywell TG510A 1001

Fits thermostat models:

- Honeywell: T87/Q539
- Robertshaw: TX400
- ITT General: T199
- And others of similar size



ZTC200

Compare to Honeywell TG510A 1000

Fits most small and medium thermostat brands including:

- Honeywell, ITT General, White Rodgers, Enerstat, American Stabilis, Columbus Electric and Seco

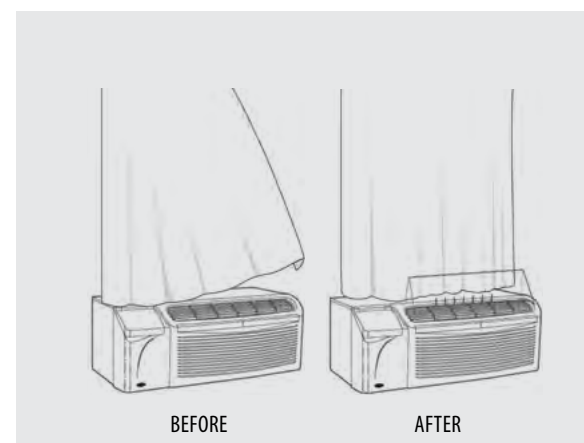


ZTC300

Compare to Honeywell CG512A 1009

Fits most medium and large thermostat brands including:

- Honeywell, ITT General, White Rodgers, Enerstat, American Stabilis and Columbus Electric

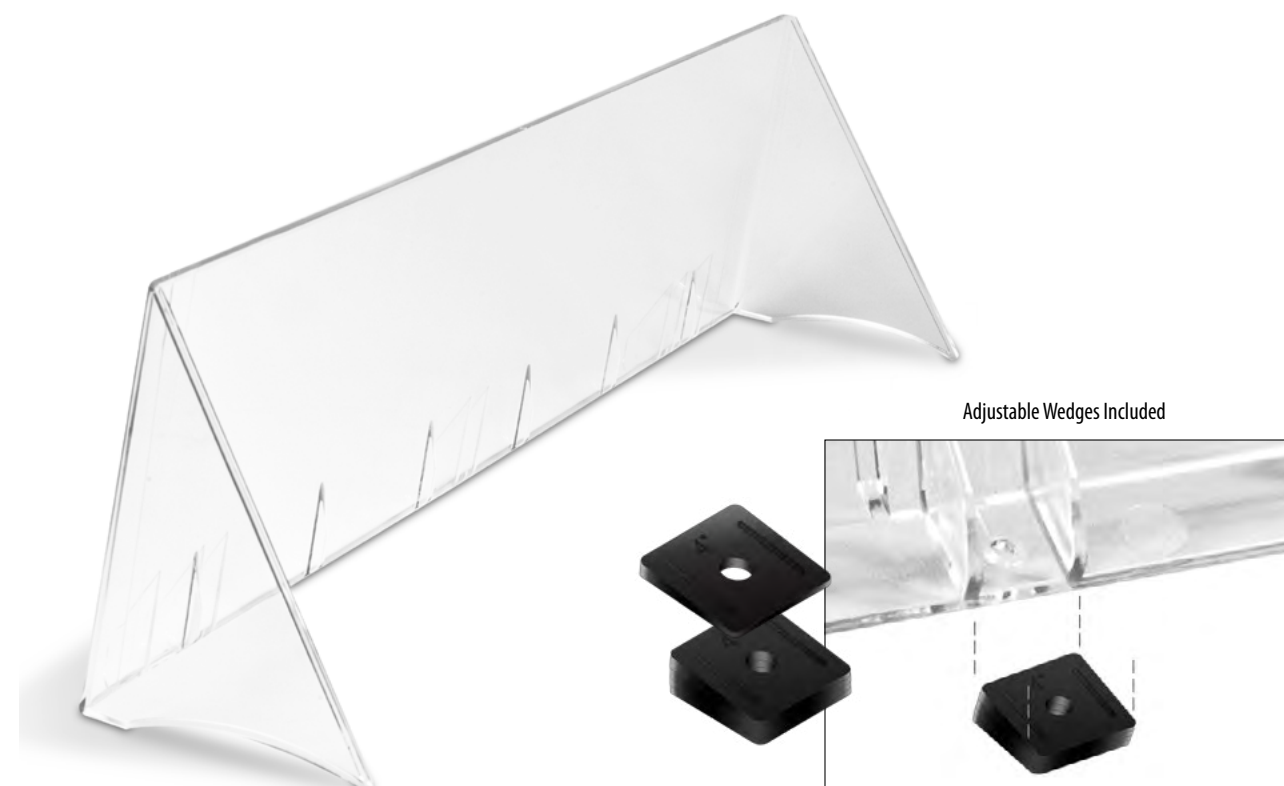


APPLICATIONS

- Saves energy and adds comfort by redirecting the flow of air through-out home or office

PRODUCT FEATURES

- Heavy duty polystyrene
- Easy to install
- Includes mounting hardware
- (15) adapter wedges included for precision installation



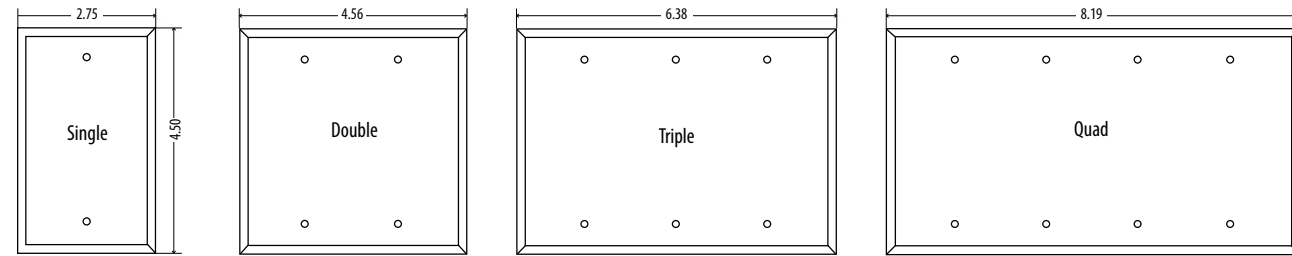
DA28, DF30, DG28, DG30

CATALOG #	DESCRIPTION	INSIDE WIDTH	OUTSIDE WIDTH	PKG. TYPE	STD. PKG.	BARCODE
Clear Plastic Thermostat Guard – Low Profile						
ZTC100	Small	4 7/16" W x 4 7/16" H x 2 1/4" D	5 7/8" W x 5 7/8" H x 2 1/2" D	Box	12	
ZTC200	Medium	6 1/16" W x 5 1/16" H x 2 5/8" D	7 1/2" W x 6 1/2" H x 2 15/16" D	Box	12	
ZTC300	Large	8 3/8" W x 5 7/8" H x 3" D	9 3/4" W x 7 1/4" H x 3 3/8" D	Box	6	

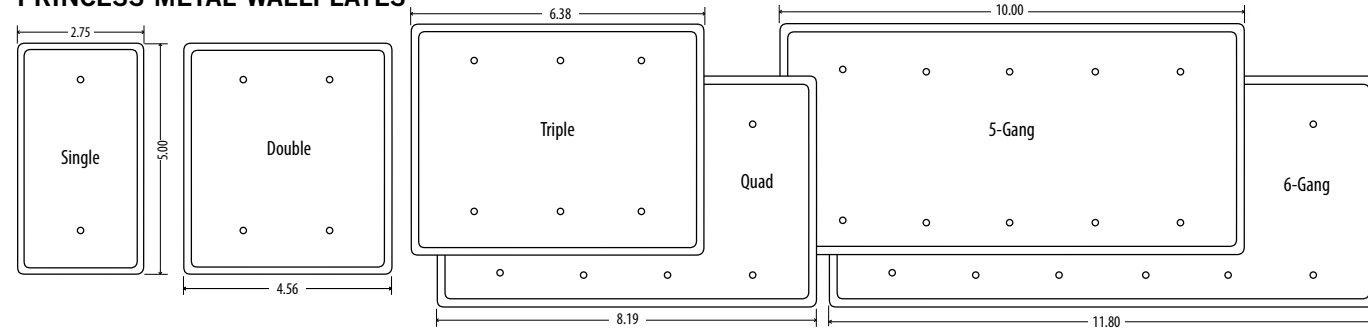
CATALOG #	SIZE (INSIDE)	COMPATIBILITY	PKG. TYPE	STD. PKG.	BARCODE
PTAC Air Deflector					
DA28	28.5"	Fits Amana® A, B and C series units	Polybag	4	
DF30	30"	Fits most Friedrich® models and other similar size units	Polybag	4	
DG28	29.5"	Fits GE® Zoneline® models 2100, 2600, 3100 and 5100	Polybag	4	
DG30	30.25"	Fits GE® Zoneline® models 2200, 2500, 2800, 3200, 3500, 3800, 5200 and 5500	Polybag	4	

METAL WALLPLATES

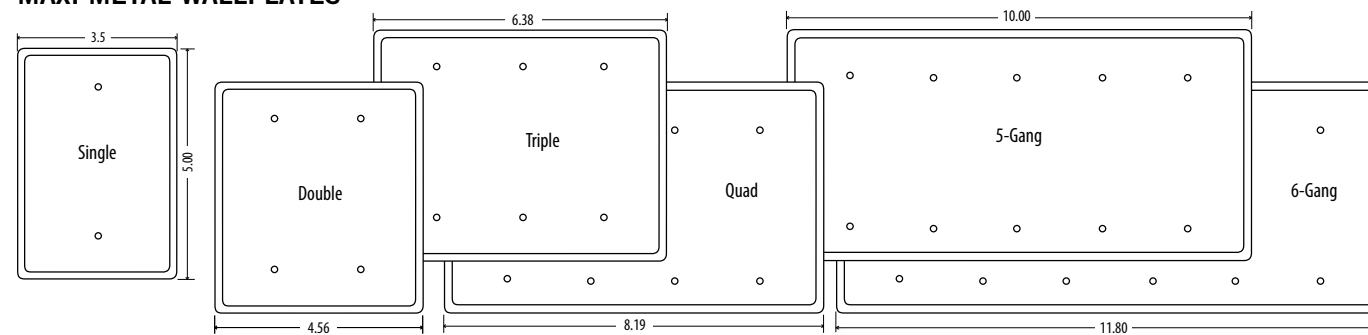
STANDARD METAL WALLPLATES



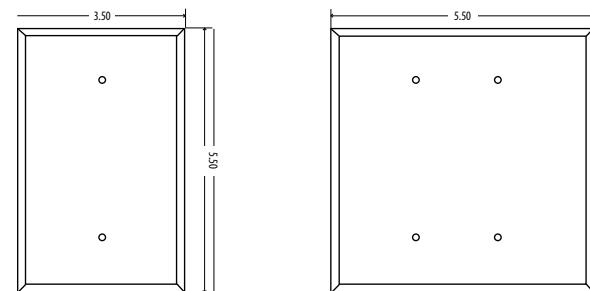
PRINCESS METAL WALLPLATES



MAXI METAL WALLPLATES

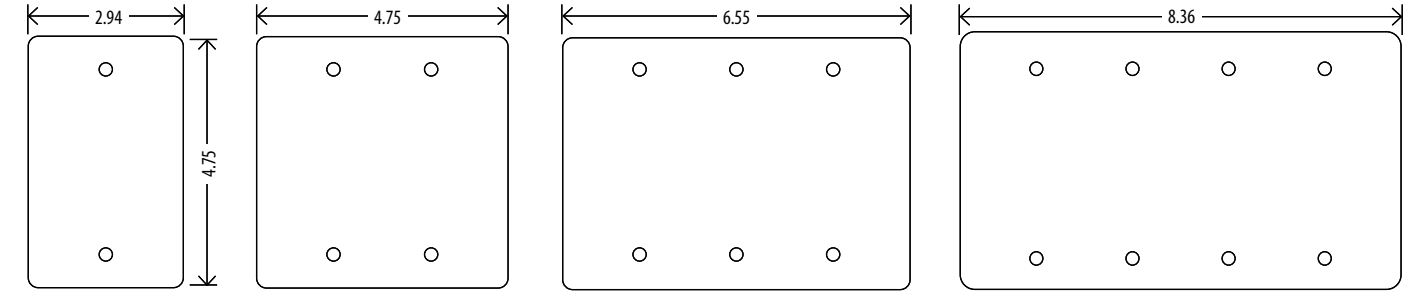


JUMBO METAL WALLPLATES

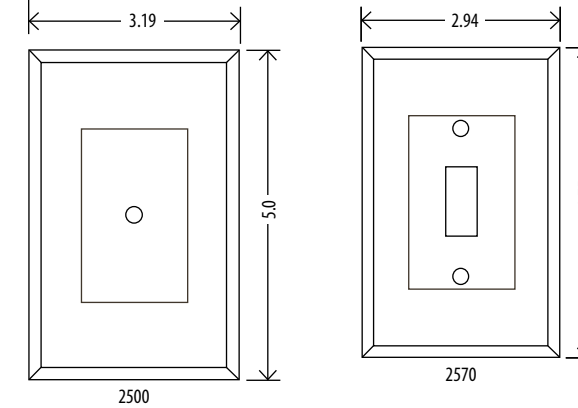


PLASTIC WALLPLATES

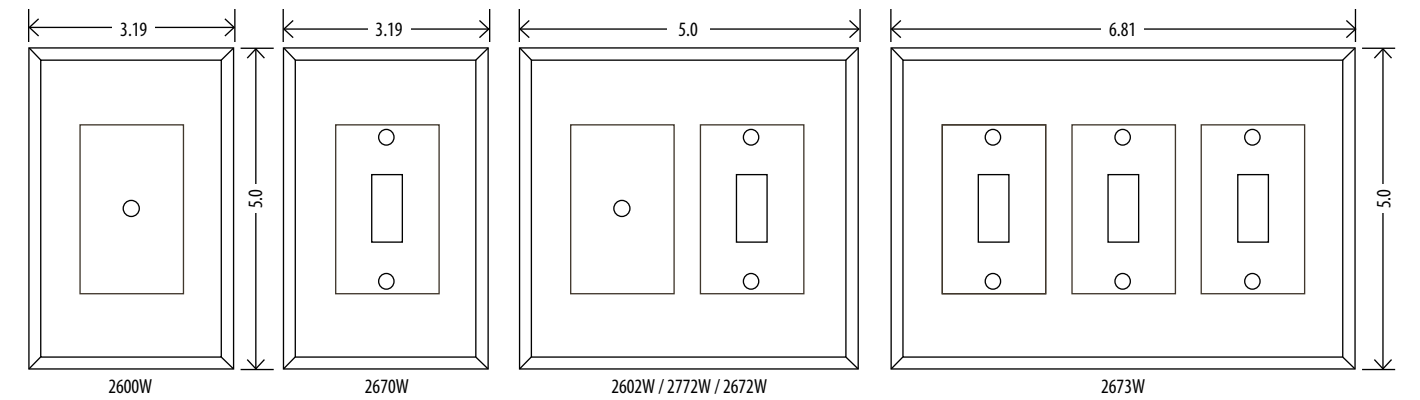
MASQUE® WALLPLATES



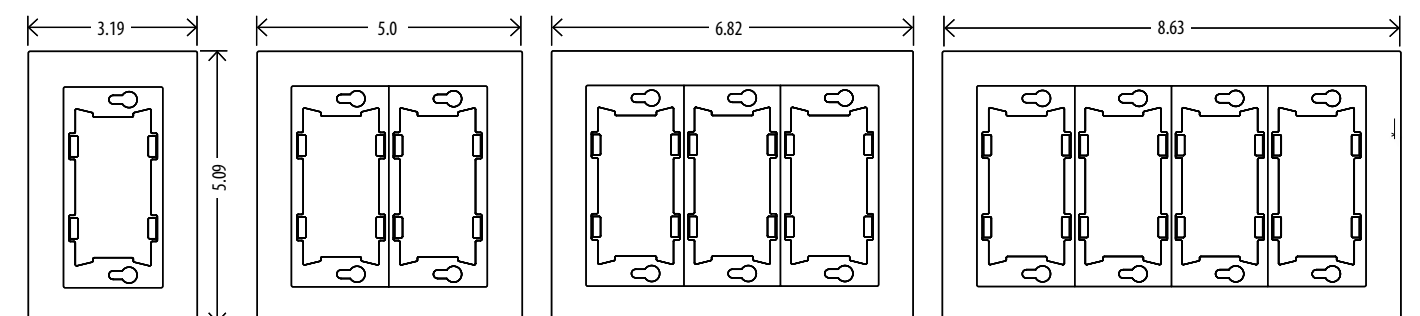
DECORATOR COVER® WALLPLATES



MASQUE® RÉVIVE WALLPLATES

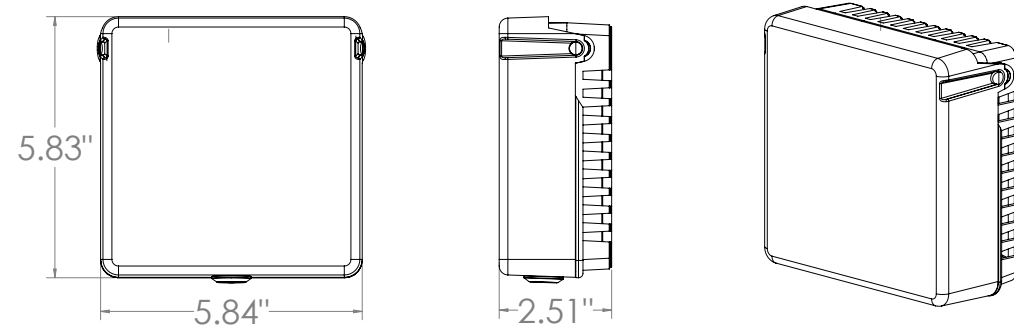


ALLURE™ WALLPLATES

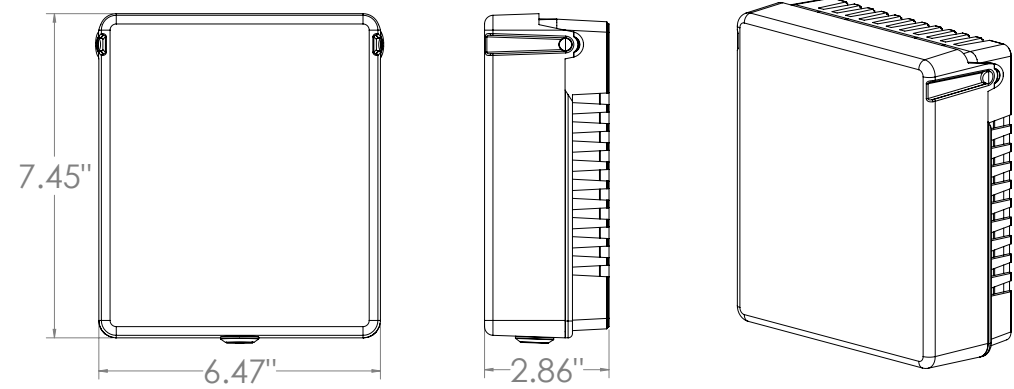


THERMOSTAT COVERS

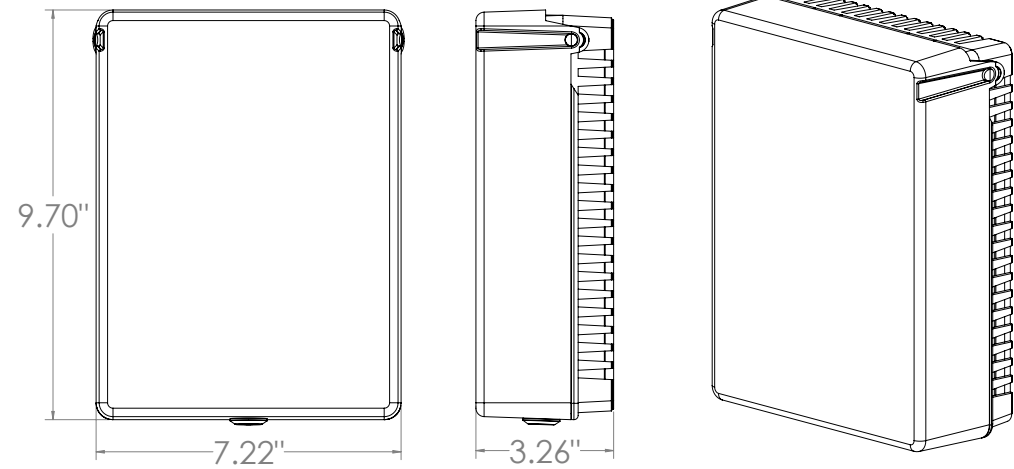
ZTC100



ZTC200

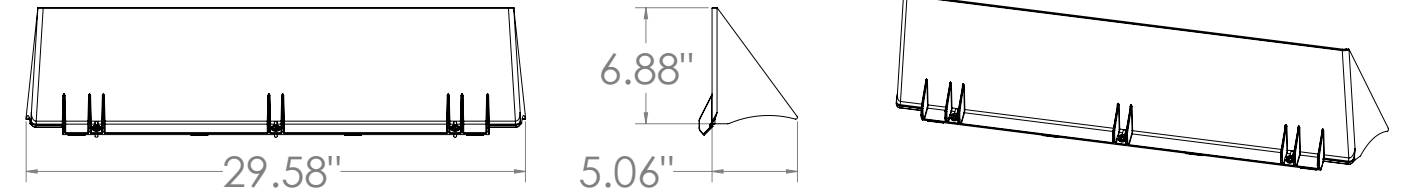


ZTC300

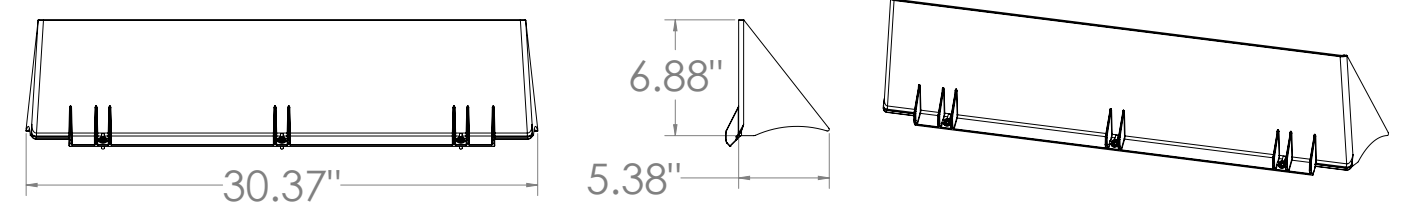


AIR DEFLECTORS

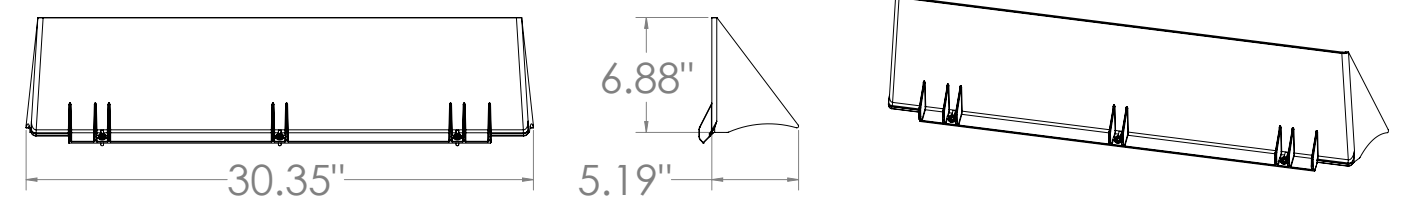
DA28



DF30



DG28



DG30

